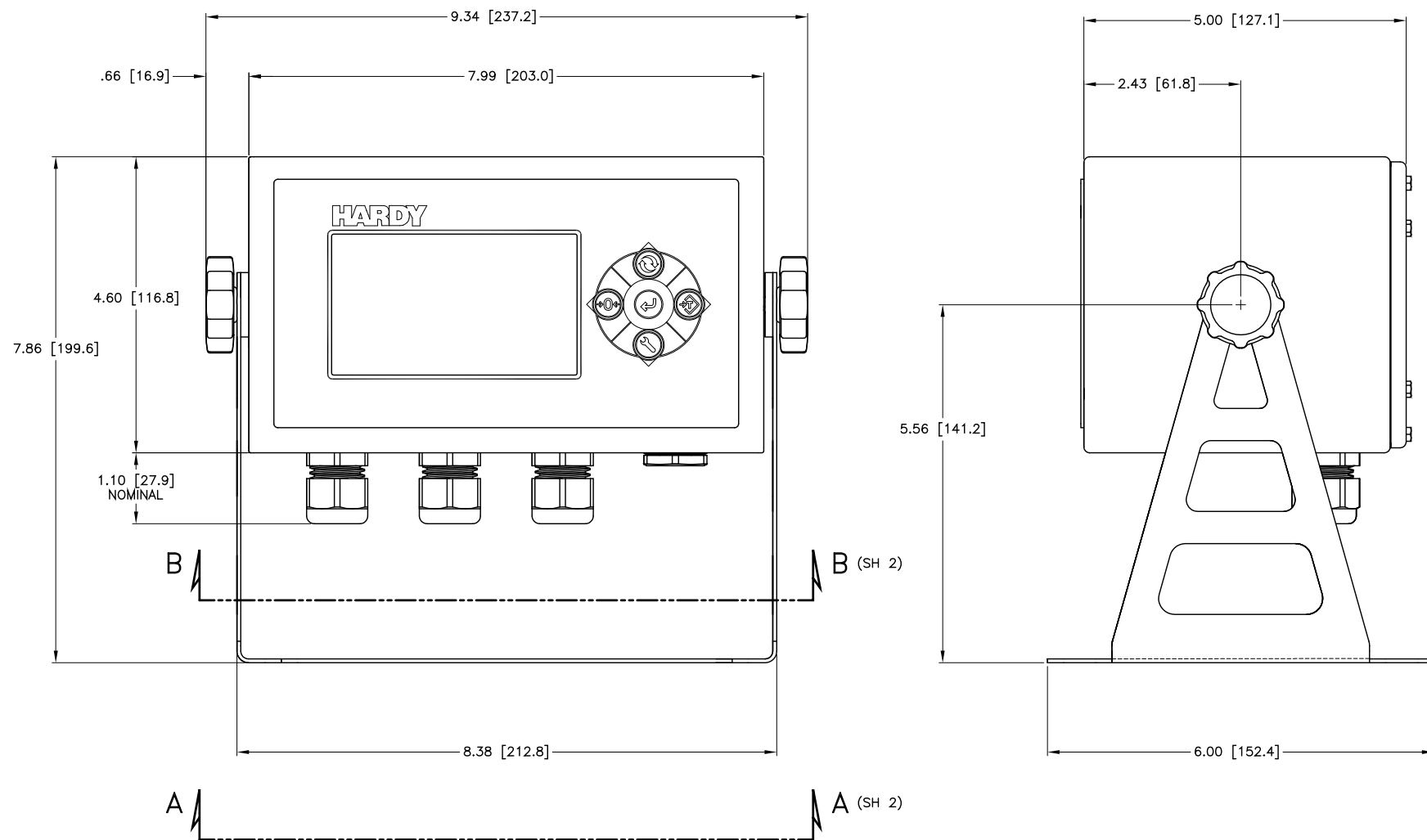
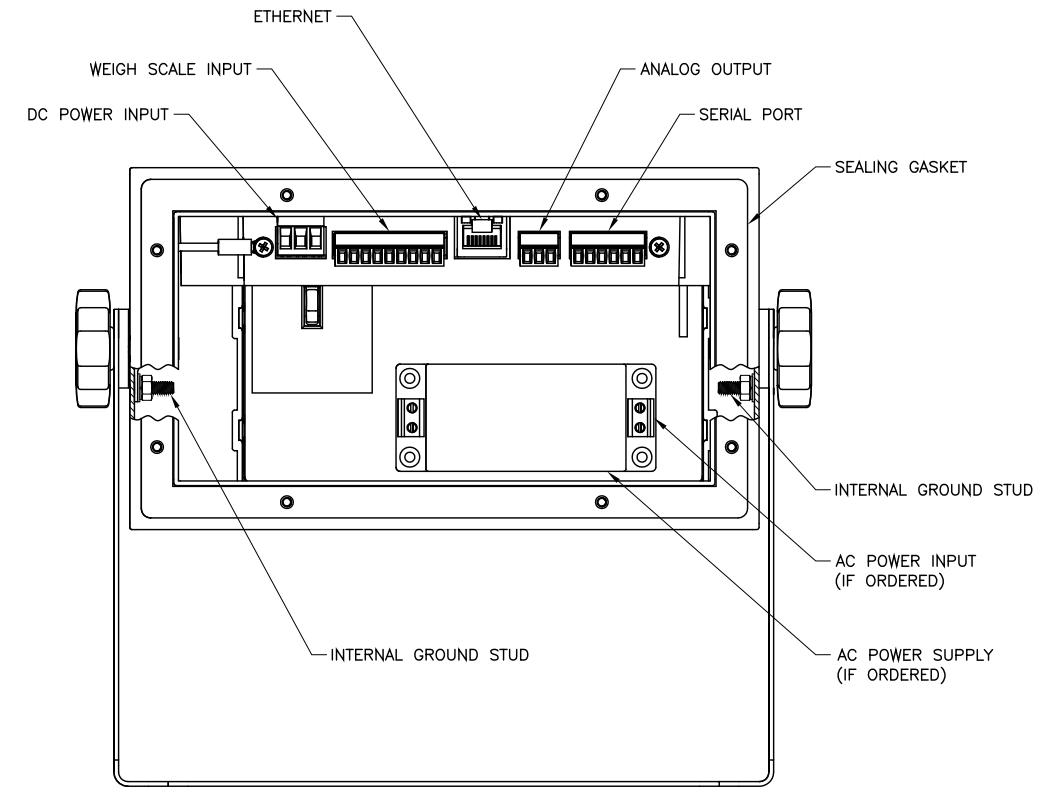


# HI 6510 SME SERIES WEIGHT PROCESSOR

REV.	ECO/DDC	DESCRIPTION	DATE	DRAFT	CHECK	APV'D
A	----	RELEASED.	07-02-15	V.J.C.	N.H.S.	T.N.
B	----	REVISED TO SHOW PRODUCTION ENCLOSURE AND MTG BRACKET.	08-09-16	V.J.C.	L.E.G.	V.J.C.
C	11881	REVISED PER ECN.	08-07-17	V.J.C.	E.M.J.	V.J.C.



C  
C  
(SH 2)



**USER INTERFACE** 3  
(REAR PANEL REMOVED FOR CLARITY)

5 FOR CLASS I, II, III DIV. 2 APPLICATIONS, THE CABLE GLAND SET PROVIDED WITH THE UNIT ARE NOT ACCEPTABLE. THE CUSTOMER IS RESPONSIBLE FOR REPLACING THE CABLE GLAND SET WITH THE APPROPRIATE CONDUIT FITTINGS TO MEET THE HAZARDOUS AREA REQUIREMENTS. WIRE PER LOCAL ELECTRICAL CODE.

4. IF THE HI 6510 INSTRUMENT IS USED IN A MANNER NOT SPECIFIED BY HARDY PROCESS SOLUTIONS, THE PROTECTION PROVIDED BY THE INSTRUMENT MAY BE IMPAIRED.

3 SEE SHEETS 3 AND 4 FOR USER INTERFACE CONNECTIONS.

2. SEE SHEET 2 FOR ADDITIONAL SYSTEM VIEWS AND DIMENSIONS.

1. SEE HARDY PROCESS SOLUTIONS WEB SITE FOR ADDITIONAL MOUNTING AND WIRING INFORMATION.

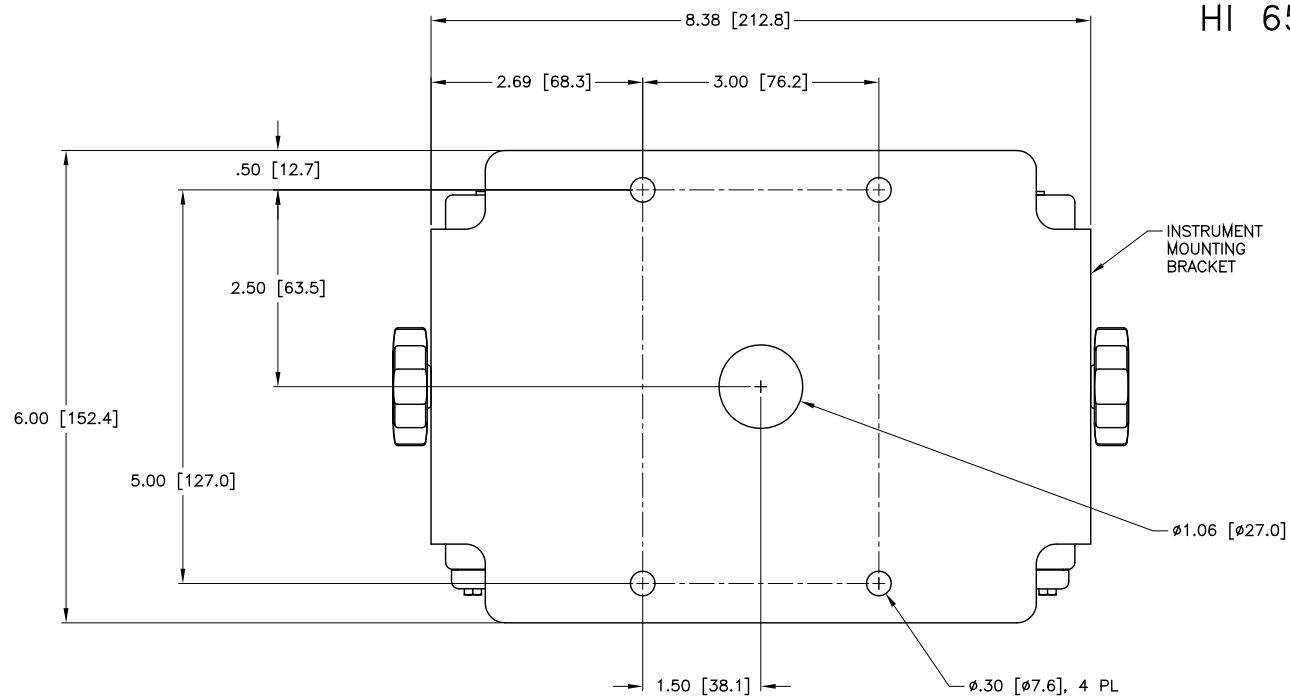
**NOTES: UNLESS OTHERWISE SPECIFIED**

PROPRIETARY NOTICE  
ALL DATA AND INFORMATION CONTAINED IN OR DISCLOSED BY THIS DOCUMENT IS CONFIDENTIAL AND PROPRIETARY INFORMATION OF HARDY PROCESS SOLUTIONS INC. AND ALL RIGHTS THEREIN ARE EXPRESSLY RESERVED. BY ACCEPTING THIS MATERIAL THE RECIPIENT AGREES THAT THIS MATERIAL AND THE INFORMATION CONTAINED THEREIN IS HELD IN CONFIDENCE AND IN TRUST AND SHALL NOT BE USED, COPIED, REPRODUCED IN WHOLE OR IN PART, NOR ITS CONTENTS REVEALED IN ANY MANNER TO OTHERS, EXCEPT TO MEET THE SPECIFIC PURPOSE FOR WHICH IT WAS DELIVERED.

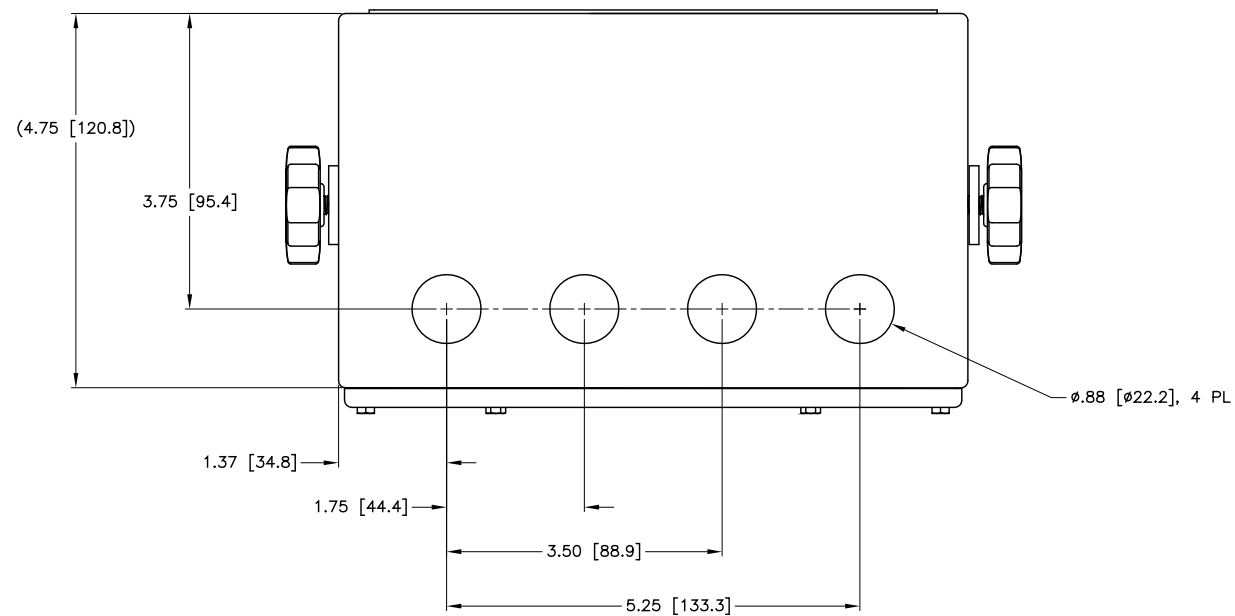
**DIMENSIONS = IN [MM]**

ITEM	QTY	0584-0097	I/I DIAGRAM, HI 6510 SME SERIES WEIGHT PROCESSOR	SEE SEPARATE PARTS LIST
PARTS LIST				
UNLESS OTHERWISE SPECIFIED DIMENSIONS ARE IN INCHES [MM]		CONTRACT NO.		
FRACTIONS: N/A		DRAWN		
DECIMALS: .XX = N/A		V. CHULA		
.XXX = N/A		DATE		
ANGLES: N/A		07-02-15		
MATERIAL		CHECKED		
		N. SCHERRER		
		DATE		
		07-02-15		
		APPROVED		
		T. NORMAN		
		DATE		
		07-02-15		
FINISH		ISSUED		
		V. CHULA		
		DATE		
		07-02-15		
		PRODUCTION		
		DATE		
DO NOT SCALE DRAWING				
TITLE		I/I DIAGRAM, HI 6510 SME SERIES WEIGHT PROCESSOR		
SIZE		D 21316		
FSCM		0584-0097		
DRAWING NO.		C		
REV.		C		
FILE NAME:		584097C1.DWG		
SCALE:		NONE		
SHEET		1 OF 4		

# HI 6510 SME SERIES WEIGHT PROCESSOR

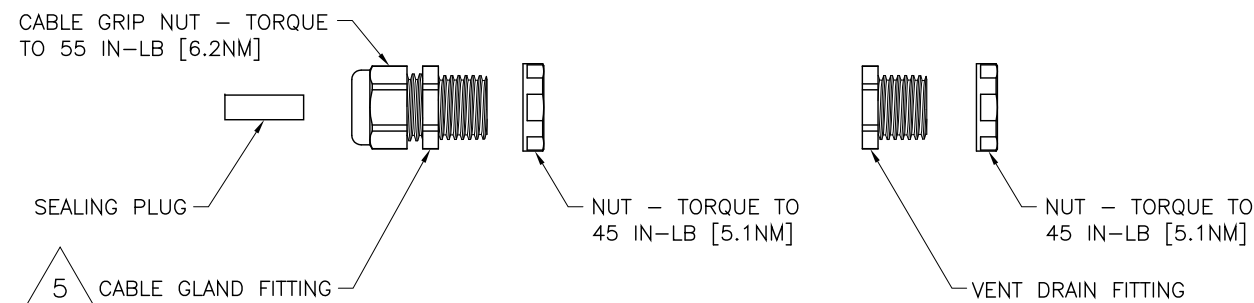


VIEW A-A  
SCALE: FULL



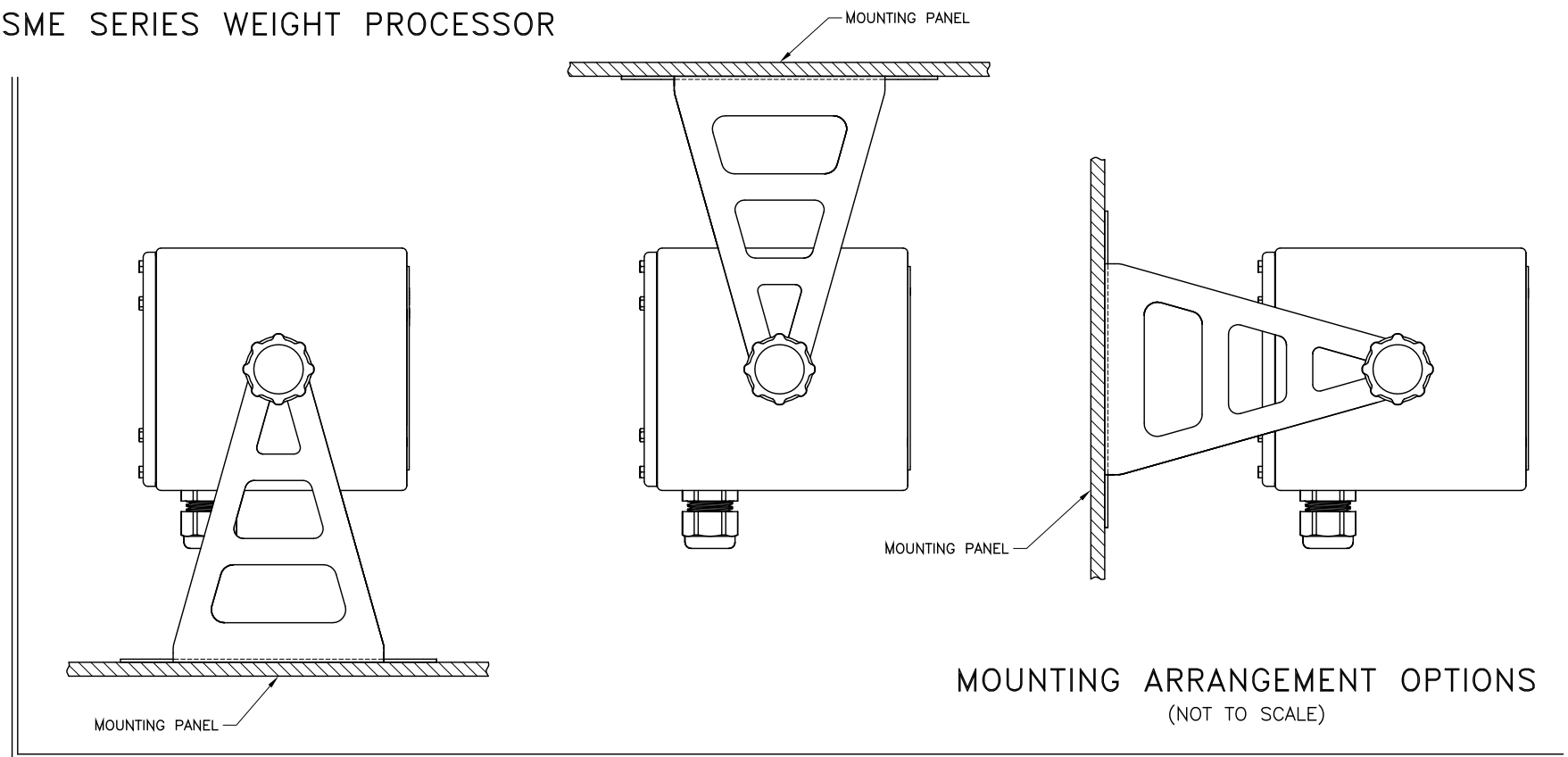
VIEW B-B  
SCALE: FULL

QTY 3 CABLE GLAND FITTINGS, QTY 1 VENT DRAIN, QTY 4 NUTS, AND QTY 3 SEALING PLUGS ARE PACKED SEPARATELY INSIDE ENCLOSURE  
[SEALING PLUG TO BE INSTALLED INTO CABLE GLAND FITTING WHEN SIGNAL CABLE IS NOT USED]

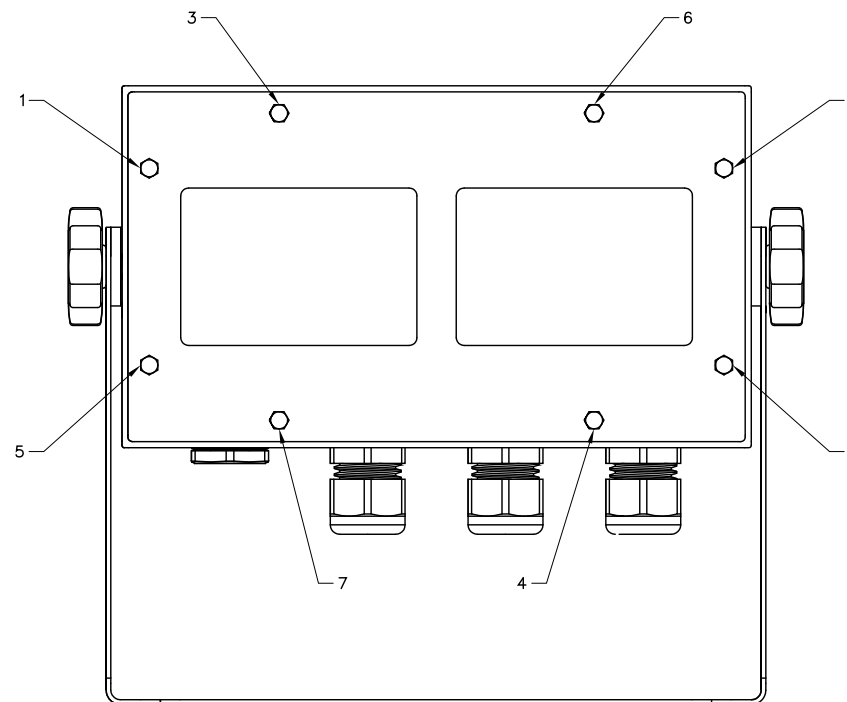


## REAR COVER PLATE SCREW INSTALLATION AND TORQUE SEQUENCE ORDER:

- INSTALL AND HAND TIGHTEN SCREWS 1 THROUGH 8
- USING A 5.5MM NUT SOCKET, TORQUE SCREWS 1 THROUGH 8 TO 10 IN-LB [1.13NM] IN NUMERICAL SEQUENCE ORDER SHOWN



MOUNTING ARRANGEMENT OPTIONS  
(NOT TO SCALE)



VIEW C-C  
SCALE: FULL

DIMENSIONS = IN [MM]



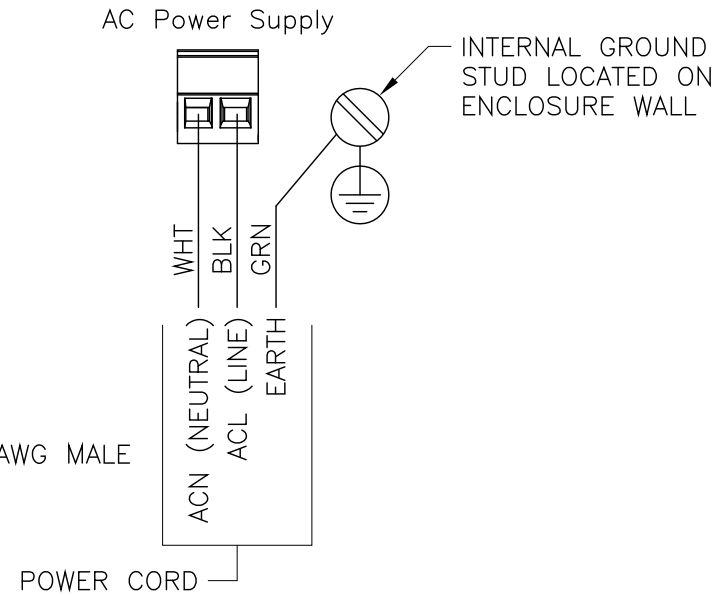
TITLE			
I/I DIAGRAM, HI 6510 SME SERIES WEIGHT PROCESSOR			
SIZE	FSCM	DRAWING NO.	REV.
D	21316	0584-0097	C
FILE NAME: 584097C1.DWG		SCALE: NONE	SHEET 2 OF 4

## POWER INPUT TERMINATIONS

### OPTION CODE AC

NOTES:

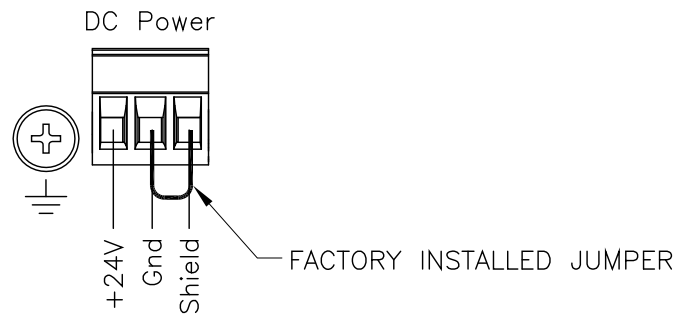
1. INPUT VOLTAGE RANGE:  
120–240 VAC, 50–60 Hz, 0.6 AMP
2. TERMINAL BLOCK WIRE SIZE RANGE:  
WIRE TEMPERATURE RATING TO BE 105° C.  
16 AWG MAXIMUM / 22 AWG MINIMUM.  
WIRE TIGHTENING TORQUE:  
4.4 LB-IN NOMINAL
3. SEPARATE 6 FT LONG TYPE SJTOW 3 CONDUCTOR 18AWG MALE  
POWER CORD ASSEMBLY SUPPLIED BY HARDY.



### OPTION CODE DC

NOTES:

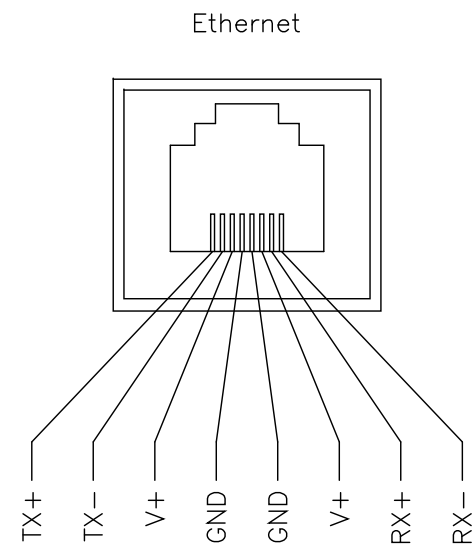
1. CLASS II INPUT VOLTAGE RANGE [24VDC NOMINAL]:  
12–24 VDC, 0.15–0.33 AMP, 4 WATTS MAXIMUM
2. TERMINAL BLOCK WIRE SIZE RANGE:  
WIRE TEMPERATURE RATING TO BE 105° C.  
12 AWG MAXIMUM / 22 AWG MINIMUM.  
WIRE TIGHTENING TORQUE:  
4.4 LB-IN MINIMUM / 5.3 LB-IN MAXIMUM.



## ETHERNET TERMINATION

NOTES:

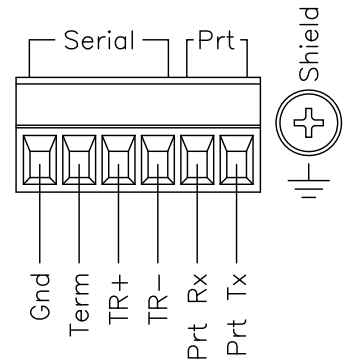
1. SEE USER'S GUIDE FOR ADDITIONAL INFORMATION ON  
ETHERNET TERMINATIONS.
2. CONNECTOR TYPE: RJ-45, 8 PIN
3. N.C. = NOT CONNECTED.



## SERIAL PORT TERMINATIONS

NOTES:

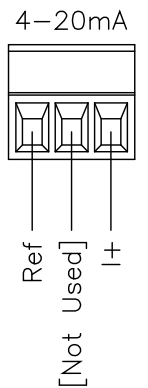
1. SEE USER'S GUIDE FOR ADDITIONAL INFORMATION ON  
SERIAL TERMINATIONS.
2. DO NOT BUNDLE SERIAL WIRING WITH POWER WIRING,  
RELAY CABLE OR ANY OTHER HIGH ENERGY CABLES.
3. TERMINAL BLOCK WIRE SIZE RANGE: 22 AWG MIN / 16 AWG MAX.  
WIRE TEMPERATURE RATING TO BE 90° C.  
WIRE TIGHTENING TORQUE: 2 LB-IN MINIMUM / 4 LB-IN MAXIMUM.



## 4–20mA ANALOG OUTPUT TERMINATIONS

NOTES:

1. SEE USER'S GUIDE FOR ADDITIONAL INFORMATION ON  
ANALOG OUTPUT TERMINATIONS.
2. DO NOT BUNDLE ANALOG OUTPUT WIRING WITH POWER WIRING,  
RELAY CABLE OR ANY OTHER HIGH ENERGY CABLES.
3. TERMINAL BLOCK WIRE SIZE RANGE: 22 AWG MIN / 16 AWG MAX.  
WIRE TEMPERATURE RATING TO BE 90° C.  
WIRE TIGHTENING TORQUE: 2 LB-IN MINIMUM / 4 LB-IN MAXIMUM.



DIMENSIONS = IN [MM]

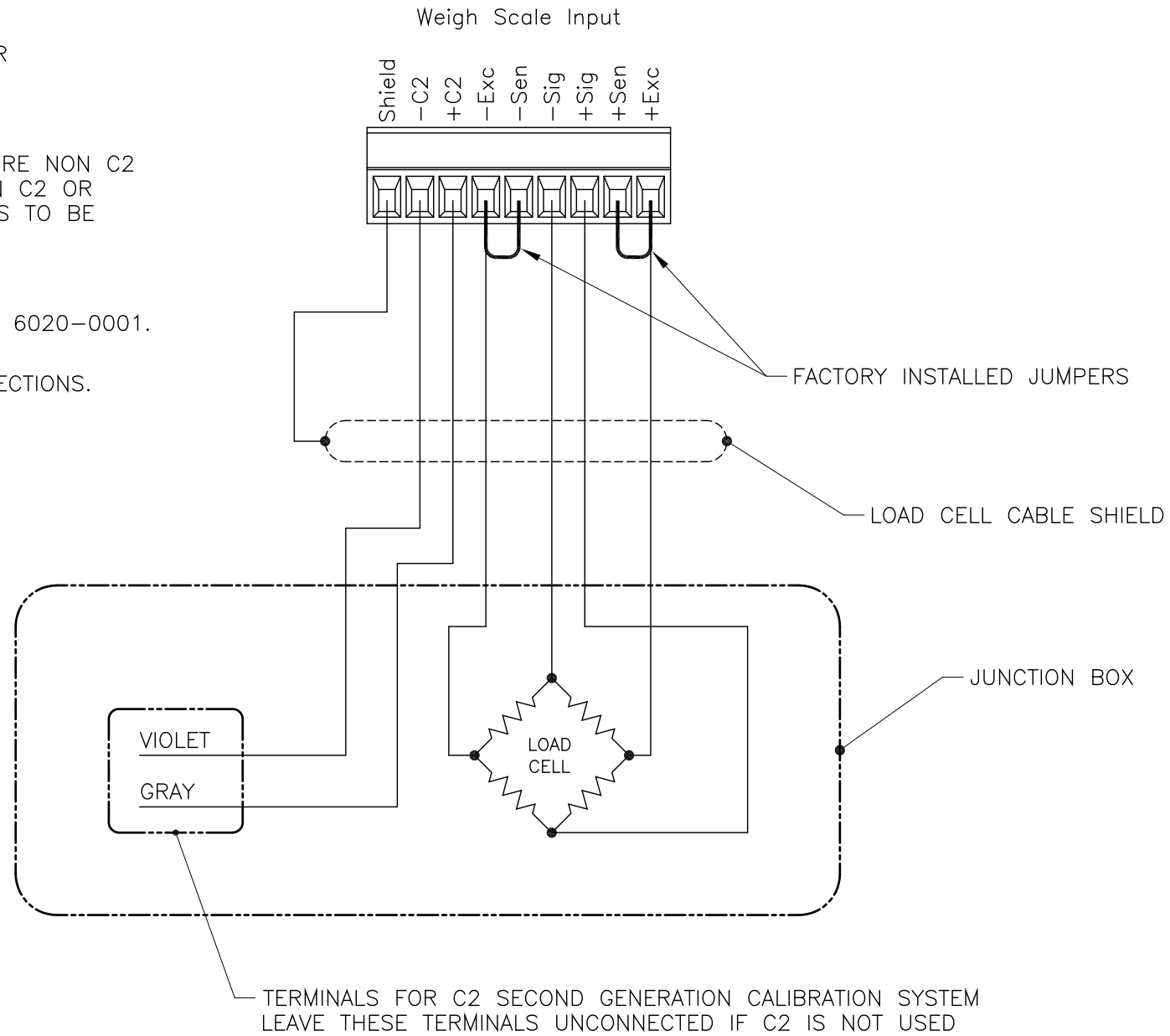
**HARDY**  
PROCESS SOLUTIONS

TITLE			
I/I DIAGRAM, HI 6510 SME SERIES WEIGHT PROCESSOR			
SIZE	FSCM	DRAWING NO.	REV.
D	21316	0584-0097	C
FILE NAME: 584097C1.DWG		SCALE: NONE	SHEET 3 OF 4

# WEIGH SCALE INPUT TERMINATIONS

NOTES:

1. IF CONDUIT IS USED, DO NOT RUN LOAD CELL CABLE PARALLEL TO, OR IN SAME CONDUIT WITH, POWER WIRING, RELAY CABLE OR OTHER HIGH ENERGY CABLES.
2. 2 FACTORY INSTALLED JUMPERS TO REMAIN IN PLACE ONLY FOR FOUR WIRE NON C2 LOAD CELL CONNECTION. JUMPERS TO BE REMOVED FOR SIX WIRE NON C2 OR EIGHT WIRE C2 LOAD CELL CONNECTIONS. EXCITATION AND SENSE WIRES TO BE CONNECTED TOGETHER IN JUNCTION BOX.
3. REQUIRED LOAD CELL CABLE FOR C2 SECOND GENERATION CALIBRATION SYSTEM AND INTEGRATED TECHNICIAN: HARDY PROCESS SOLUTIONS P/N 6020-0001.
4. SEE USER'S GUIDE FOR ADDITIONAL INFORMATION ON LOAD CELL CONNECTIONS. USER'S GUIDE IS LOCATED ON HARDY PROCESS SOLUTIONS WEB SITE.
5. TERMINAL BLOCK WIRE SIZE RANGE: 22 AWG MIN / 16 AWG MAX. WIRE TEMPERATURE RATING TO BE 90° C. WIRE TIGHTENING TORQUE: 2 LB-IN MINIMUM / 4 LB-IN MAXIMUM.
6. FOR CLARITY, ONLY ONE LOAD SENSOR CONNECTION IS SHOWN.



DIMENSIONS = IN [MM]



TITLE			
I/I DIAGRAM, HI 6510 SME SERIES WEIGHT PROCESSOR			
SIZE	FSCM	DRAWING NO.	REV.
D	21316	0584-0097	C
FILE NAME: 584097C1.DWG		SCALE: NONE	SHEET 4 OF 4