

DIMENSIONS— INCHES & [mm]

REV.	ECO/DDC	DESCRIPTION	DATE	DRAFT	CHECK	APV'D
A	----	RELEASED.	10-27-14	V.J.C.	N.H.S.	E.J.

CAPACITY LBS [MT]	A	B	C	D	E	F	ØG	ØH	J	K	L	M
5 KLB-20 KLB [2.2MT-9.1MT]	11.00 [279.4]	8.00 [203.2]	8.00 [203.2]	4.00 [101.6]	5.50 [139.7]	3.00 [76.2]	1.06 [26.9]	.63 [16.0]	5.48 [139.2]	.75 [19.1]	.50 [12.7]	6.875 [174.63]
30 KLB-75 KLB [13.6MT-34MT]	15.00 [381.0]	10.00 [254.0]	11.50 [292.1]	6.00 [152.4]	8.00 [203.2]	5.13 [130.3]	1.22 [31.0]	.75 [19.1]	8.43 [214.1]	1.00 [25.4]	.75 [19.1]	8.500 [215.9]
100 KLB [45.3MT]	18.00 [457.2]	12.00 [304.8]	14.00 [355.6]	9.00 [228.6]	10.00 [254.0]	7.50 [190.5]	1.38 [35.1]	.81 [20.6]	10.39 [246.0]	1.25 [31.8]	1.25 [31.8]	9.500 [241.3]
150 KLB [68MT]	18.00 [457.2]	12.00 [304.8]	14.00 [355.6]	9.00 [228.6]	10.00 [254.0]	7.50 [190.5]	1.38 [35.1]	.81 [20.6]	10.39 [246.0]	1.25 [31.8]	1.25 [31.8]	9.500 [241.3]
200 KLB-250 KLB [90.7MT-113.4MT]	26.00 [660.4]	12.00 [304.8]	20.00 [508.0]	6.00 [152.4]	12.00 [304.8]	9.00 [228.6]	1.88 [47.8]	1.06 [26.9]	15.73 [400.0]	2.00 [50.8]	2.00 [50.8]	13.000 [330.3]

LOAD CELL MOUNT MODEL NUMBERS

CAPACITY LBS [MT]	MODEL NUMBER PLATED ALLOY STEEL	MODEL NUMBER STAINLESS STEEL
5 KLB-20 KLB [2.2MT-9.1MT]	MDSB01C-AS-5-20KLB	MDSB01C-SS-5-20KLB
30 KLB-75 KLB [13.6MT-34MT]	MDSB01C-AS-30-75KLB	MDSB01C-SS-30-75KLB
100 KLB [45.3MT]	MDSB01C-AS-100KLB	MDSB01C-SS-100KLB
150 KLB [68MT]	MDSB01C-AS-150KLB	MDSB01C-SS-150KLB
200 KLB-250 KLB [90.7MT-113.4MT]	MDSB01C-AS-200-250KLB	MDSB01C-SS-200-250KLB

APPLICABLE LOAD SENSORS (LOAD SENSORS NOT INCLUDED)

CAPACITY LBS [KN]	LOAD SENSOR PLATED ALLOY STEEL	LOAD SENSOR STAINLESS STEEL	MOUNT MODEL NUMBER PLATED ALLOY STEEL	MOUNT MODEL NUMBER STAINLESS STEEL
5 KLB [2.2MT]	DSB01C-AS-5KLB	DSB01C-SS-5KLB		
10 KLB [4.5MT]	DSB01C-AS-10KLB	DSB01C-SS-10KLB	MDSB01C-AS-5-20KLB	MDSB01C-SS-5-20KLB
20 KLB [9.1MT]	DSB01C-AS-20KLB	DSB01C-SS-20KLB		
30 KLB [13.6MT]	DSB01C-AS-30KLB	DSB01C-SS-30KLB		
50 KLB [22.7MT]	DSB01C-AS-50KLB	DSB01C-SS-50KLB	MDSB01C-AS-30-75KLB	MDSB01C-SS-30-75KLB
60 KLB [27.2MT]	DSB01C-AS-60KLB	DSB01C-SS-60KLB		
75 KLB [34MT]	DSB01C-AS-75KLB	DSB01C-SS-75KLB		
100 KLB [45.3MT]	DSB01C-AS-100KLB	DSB01C-SS-100KLB	MDSB01C-AS-100KLB	MDSB01C-SS-100KLB
150 KLB [68MT]	DSB01C-AS-150KLB	DSB01C-SS-150KLB	MDSB01C-AS-150KLB	MDSB01C-SS-150KLB
200 KLB [90.7MT]	DSB01C-AS-200KLB	DSB01C-SS-200KLB	MDSB01C-AS-200-250KLB	MDSB01C-SS-200-250KLB
250 KLB [113.4MT]	DSB01C-AS-250KLB	DSB01C-SS-250KLB		

5. DO NOT WELD LOAD CELL MOUNT TO VESSEL/FOUNDATION WITH LOAD SENSOR INSTALLED.

4. LOAD CELL MOUNT IS SUPPLIED WITH THE FOLLOWING:

- BASE MOUNTING PLATE, QTY 1
- LOAD BAR, QTY 2
- LOAD CELL MOUNTING BOLT, QTY 2
- LOAD CELL MOUNTING BOLT WASHER, QTY 2
- UPPER LOAD BRACKET, QTY 1
- LOAD PIN, QTY 1
- LIFT-OFF PIN, QTY 1
- COTTER PIN (FOR LOAD AND LIFT-OFF PIN RETENTION), QTY 2

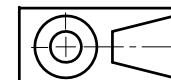
3. LOAD SENSOR IS NOT SUPPLIED WITH LOAD CELL MOUNT. SEE TABLE FOR LOAD SENSOR COMPATIBILITY.

2. SHEET 2 FOR LOAD CELL MOUNT DIMENSIONS.

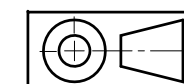
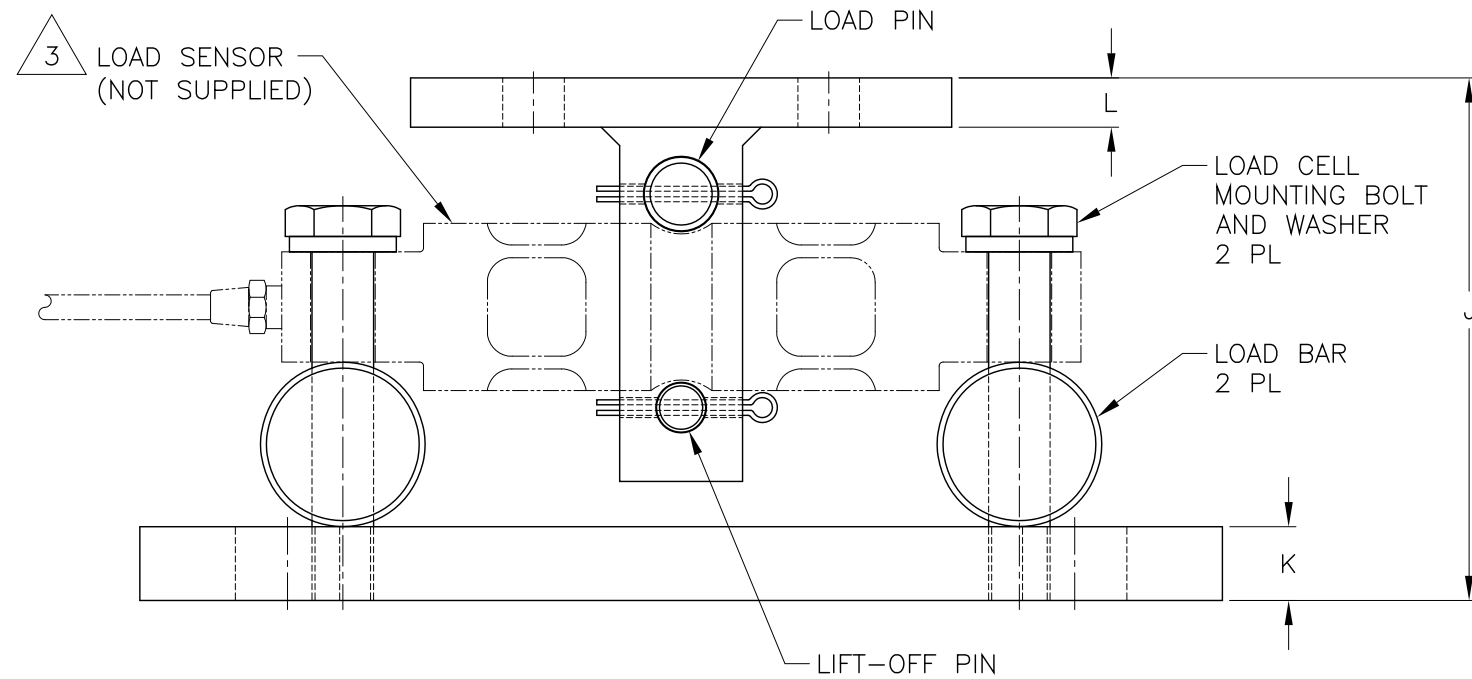
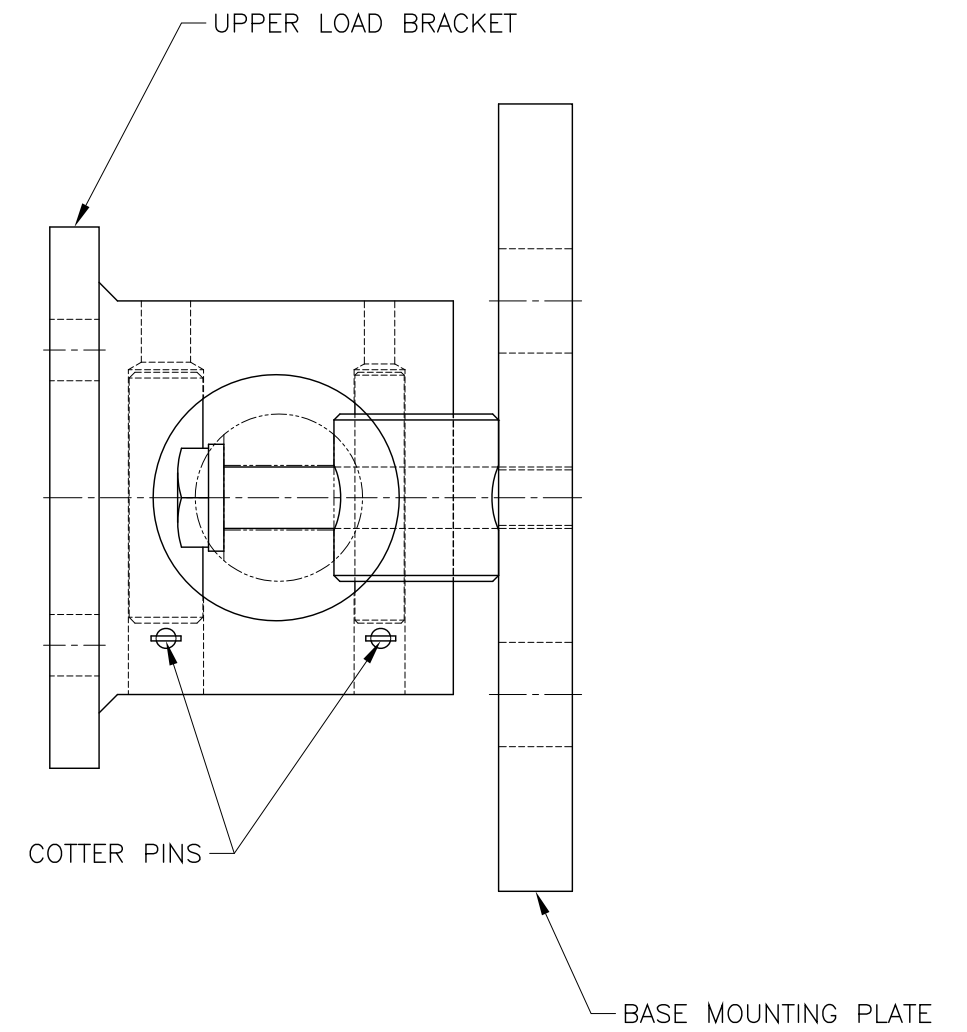
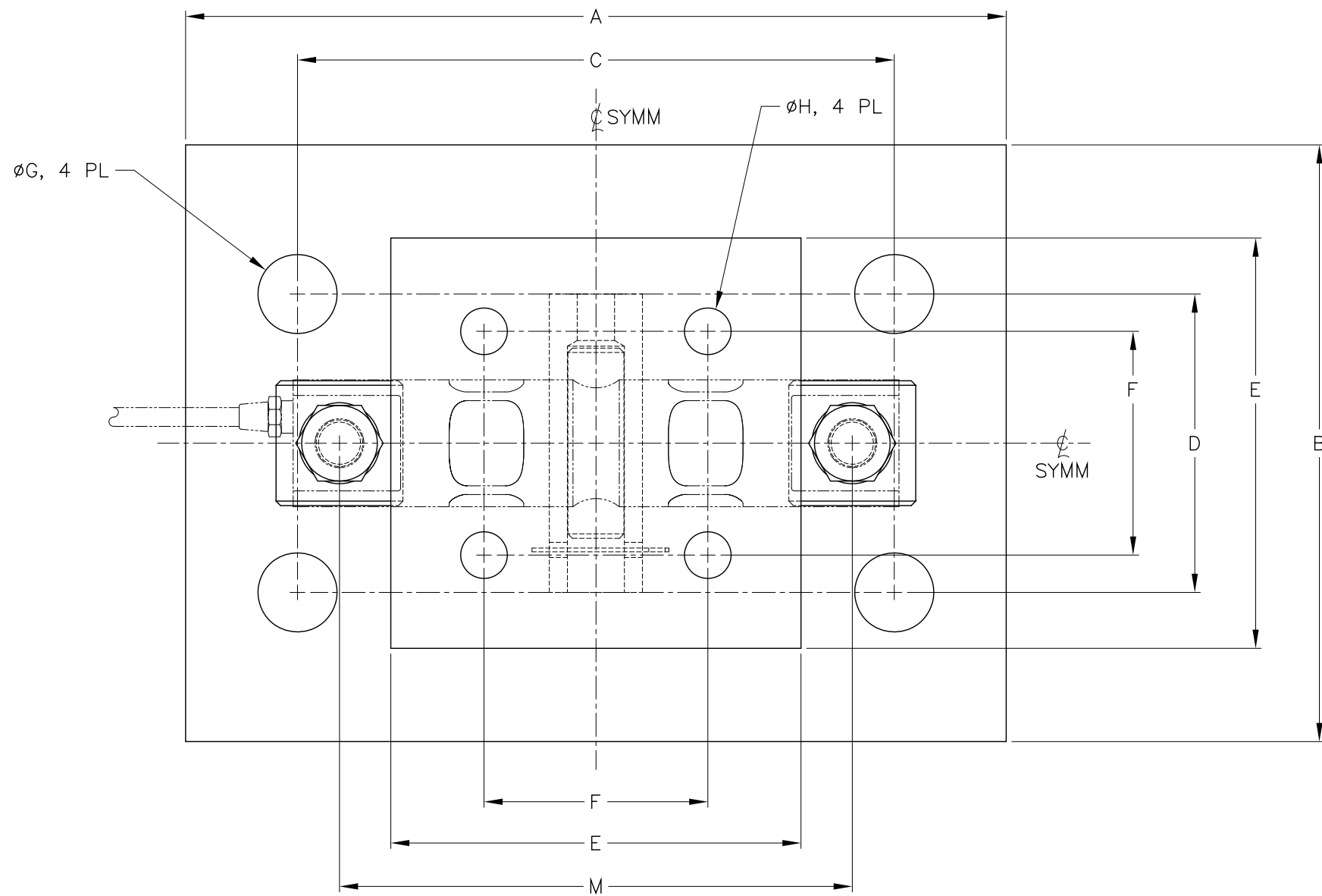
1. THIS DRAWING IS SUBJECT TO CHANGE WITHOUT NOTICE.

NOTES: UNLESS OTHERWISE SPECIFIED

PROPRIETARY NOTICE
ALL DATA AND INFORMATION CONTAINED IN OR DISCLOSED BY THIS DOCUMENT IS CONFIDENTIAL AND PROPRIETARY INFORMATION OF HARDY PROCESS SOLUTIONS INC. AND ALL RIGHTS THEREIN ARE EXPRESSLY RESERVED. BY ACCEPTING THIS MATERIAL THE RECIPIENT AGREES THAT THIS MATERIAL AND THE INFORMATION CONTAINED THEREIN IS HELD IN CONFIDENCE AND IN TRUST AND SHALL NOT BE USED, COPIED, REPRODUCED IN WHOLE OR IN PART, NOR ITS CONTENTS REVEALED IN ANY MANNER TO OTHERS, EXCEPT TO MEET THE SPECIFIC PURPOSE FOR WHICH IT WAS DELIVERED.



		0588-0167	OUTLINE DRAWING, LOAD CELL MOUNT, MDSB01C SERIES		
ITEM	QTY	PART NUMBER	DESCRIPTION	COMMENTS	
PARTS LIST					
UNLESS OTHERWISE SPECIFIED DIMENSIONS ARE IN INCH [MM] TOLERANCES ARE: FRACTIONS: N/A DECIMALS: .XX = ±.03 [.8] .XXX = ±.010 [.25] ANGLES: ±0°, 30°		CONTRACT NO.		HARDY PROCESS SOLUTIONS	
MATERIAL		APPROVALS			
FINISH		DRAWN V. CHULA	DATE 10-24-14		
DO NOT SCALE DRAWING		CHECKED N. SCHERRER	DATE 10-27-14		
		APPROVED E. JAMES	DATE 10-27-14	TITLE OUTLINE DRAWING, LOAD CELL MOUNT, MDSB01C SERIES	
		ISSUED V. CHULA	DATE 10-27-14		
		PRODUCTION	DATE	SIZE D	FSCM 21316
				DRAWING NO. 0588-0167	REV. A
				FILE NAME: 588167A1.DWG	SCALE: NONE
				SHEET 1 OF 2	



HARDY PROCESS SOLUTIONS			
TITLE OUTLINE DRAWING, LOAD CELL MOUNT, MDSB01C SERIES			
SIZE	FSCM	DRAWING NO.	REV.
D	21316	0588-0167	A
FILE NAME: 588167A1.DWG		SCALE: NONE	SHEET 2 OF 2