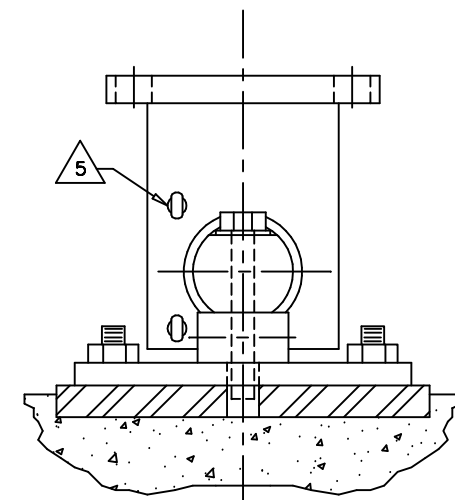
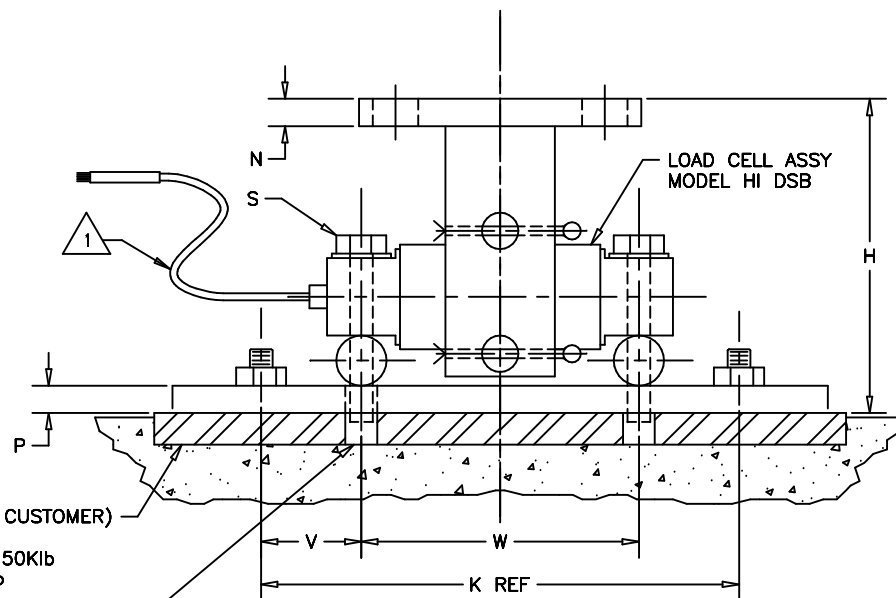
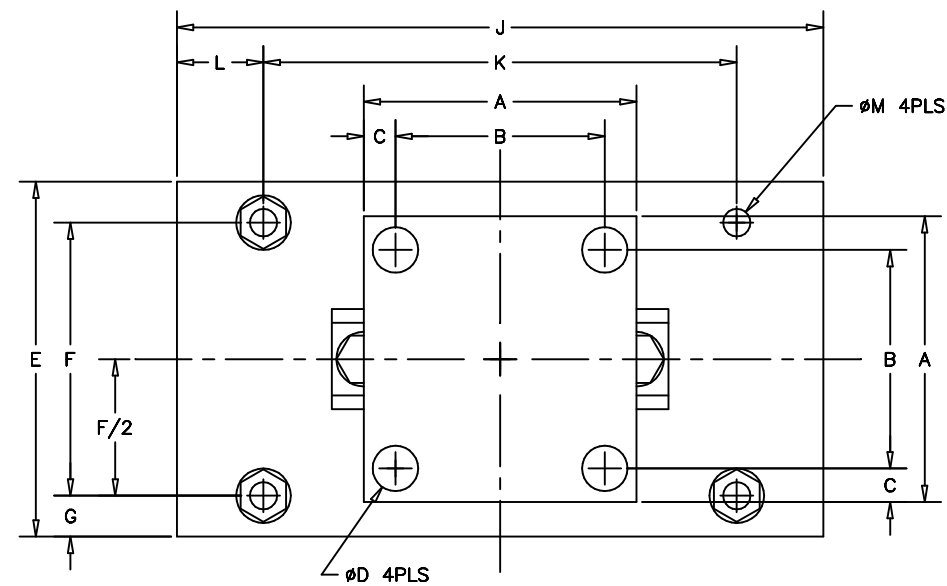


MODEL NUMBERS					
PLATED LOAD SENSOR PAINTED MOUNT MODEL #	PLATED LOAD SENSOR PLATED MOUNT MODEL # <sup>4</sup>	STAINLESS LOAD SENSOR PAINTED MOUNT MODEL #	STAINLESS LOAD SENSOR STAINLESS MOUNT MODEL #	CAPACITY	
				LBS.	KGS.
HI LPD05K-21C	HI LPD05K-22C	HI LPD05K-31C	HI LPD05K-33C	5K	2,268
HI LPD10K-21C	HI LPD10K-22C	HI LPD10K-31C	HI LPD10K-33C	10K	4,536
HI LPD15K-21C	HI LPD15K-22C	HI LPD15K-31C	HI LPD15K-33C	15K	6,804
HI LPD20K-21C	HI LPD20K-22C	HI LPD20K-31C	HI LPD20K-33C	20K	9,072
HI LPD30K-21C	HI LPD30K-22C	HI LPD30K-31C	HI LPD30K-33C	30K	13,608
HI LPD40K-21C	HI LPD40K-22C	HI LPD40K-31C	HI LPD40K-33C	40K	18,144
HI LPD50K-21C	HI LPD50K-22C	HI LPD50K-31C	HI LPD50K-33C	50K	22,680
HI LPD60K-21C	HI LPD60K-22C	HI LPD60K-31C	HI LPD60K-33C	60K	27,216
HI LPD100K-21C	HI LPD100K-22C	HI LPD100K-31C	HI LPD100K-33C	100K	45,360
HI LPD150K-21C	HI LPD150K-22C	HI LPD150K-31C	HI LPD150K-33C	150K	68,040
HI LPD200K-21C	HI LPD200K-22C	HI LPD200K-31C	HI LPD200K-33C	200K	90,720
HI LPD250K-21C	HI LPD250K-22C	HI LPD250K-31C	HI LPD250K-33C	250K	113,400

CAPACITY IN LBS				
	5K, 10K, 15K, 20K	30K, 40K, 50K, 60K	100K, 150K	200K, 250K
A	5.50	8.00	10.00	12.00
B	3.00	5.13	7.50	9.00
C	1.25	1.43	1.25	1.50
D	.562	.750	.810	1.06
E	8.00	10.00	12.00	12.00
F	4.00	6.00	9.00	6.00
G	2.00	2.00	1.50	3.00
H	5.31	8.43	10.38	16.75
J	11.00	15.00	18.00	26.00
K	8.00	11.50	14.00	20.00
L	1.50	1.75	2.00	3.00
M	1.06	1.19	1.38	1.88
N	.50	.75	1.25	2.00
P	.75	1.00	1.25	2.00
S	5/8-18 X 3 1/2 LG	1-14 X 5 1/2 LG	1-14 X 6 LG	1 1/2-12 X 9 LG
V	.560	1.500	2.25	3.50
W	6.875	8.500	9.50	13.0

ELECTRICAL TERMINATION—CABLE COLOR CODES	
FUNCTION	COLOR
EXC +	RED
SIG +	GREEN
EXC -	BLACK
SIG -	WHITE
SHIELD	ORANGE
C2+	GRAY
C2-	VIOLET



SUBPLATE REQUIRED (SUPPLIED BY CUSTOMER)  
 1 IN MIN THICK UP TO 60Kib  
 1 1/2 IN MIN THICK UP TO 150Kib  
 2 IN MIN THICK UP TO 250Kib

THUR-HOLE IN SUBPLATE TO CLEAR "S" DIA 2 PLS

REV.	ECO	DESCRIPTION	DATE	DRAFT	CHECK	APV'D
A	----	RELEASED FOR PRODUCTION.	5/2/95	MK	MM	T.K.
B	6794	REVISED PER ECN.	6-21-98	R.B.	P.W.	D.C.B.
C	05241	REVISED PER ECN.	10-1-97	E.E.	P.W.	D.C.B.
D	05792	REVISED PER ECN.	5-21-98	R.B.	V.J.C.	T.K.
E	07223	REVISED PER ECN.	1-27-00	R.B.	L.B.O.	T.K.

- <sup>5</sup> COTTER KEY OR BOLT WITH LOCK NUT FOR PIN RETENTION.
- <sup>4</sup> BRIGHT NICKEL—CHROME MOUNTS: QQ-N-290A, CLASS I, GRADE F AND QQ-C-320B, TYPE I, CLASS 2A, .001".
- 3. MOUNTING BOLTS FOR STAINLESS STEEL MOUNTS ARE ZINC PLATED, GRADE EIGHT(8) STEEL FOR STRENGTH.
- 2. -21 & -22 LOAD POINTS USE HI DSB02 PLATED STEEL LOAD SENSOR. -31 & -33 LOAD POINTS USE HI DSB01 STAINLESS STEEL LOAD SENSOR.
- <sup>1</sup> STANDARD LOAD SENSOR CABLE LENGTH IS 30FT.

NOTES: UNLESS OTHERWISE SPECIFIED

ITEM		QTY	0588-0069	OUTLINE DRAWING, LOAD POINT ASSEMBLY, HI LPD, W/C2	MATERIAL SPECIFICATION OR COMMENTS	
UNLESS OTHERWISE SPECIFIED DIMENSIONS ARE IN INCHES		CONTRACT NO.		<div style="text-align: center;"> <p><b>OUTLINE DWG, LOAD POINT ASSEMBLY, HI LPD, W/C2</b></p> </div>		
TOLERANCES ARE:		APPROVALS				
FRACTIONS: N/A		DRAWN	DATE			
DECIMALS: .XX = ±.030		MK	5/2/95			
.XXX = ±.010		CHECKED	DATE	SIZE	FSCM	DRAWING NO.
ANGLES: 1°		MM	5/8/95	B	21316	0588-0069
MATERIAL		ISSUED	DATE	E		
FINISH		T.K.	5/8/95	FILE NAME: 588069E1.DWG SCALE: NONE SHEET 1 OF 1		
DO NOT SCALE DRAWING						