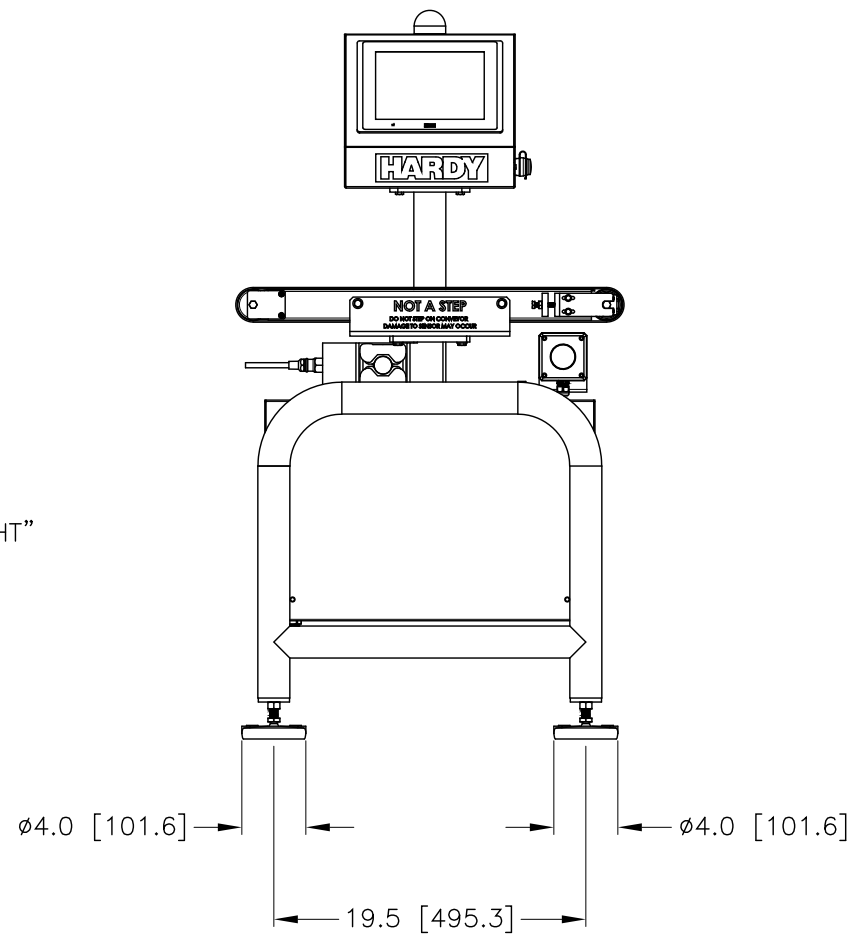
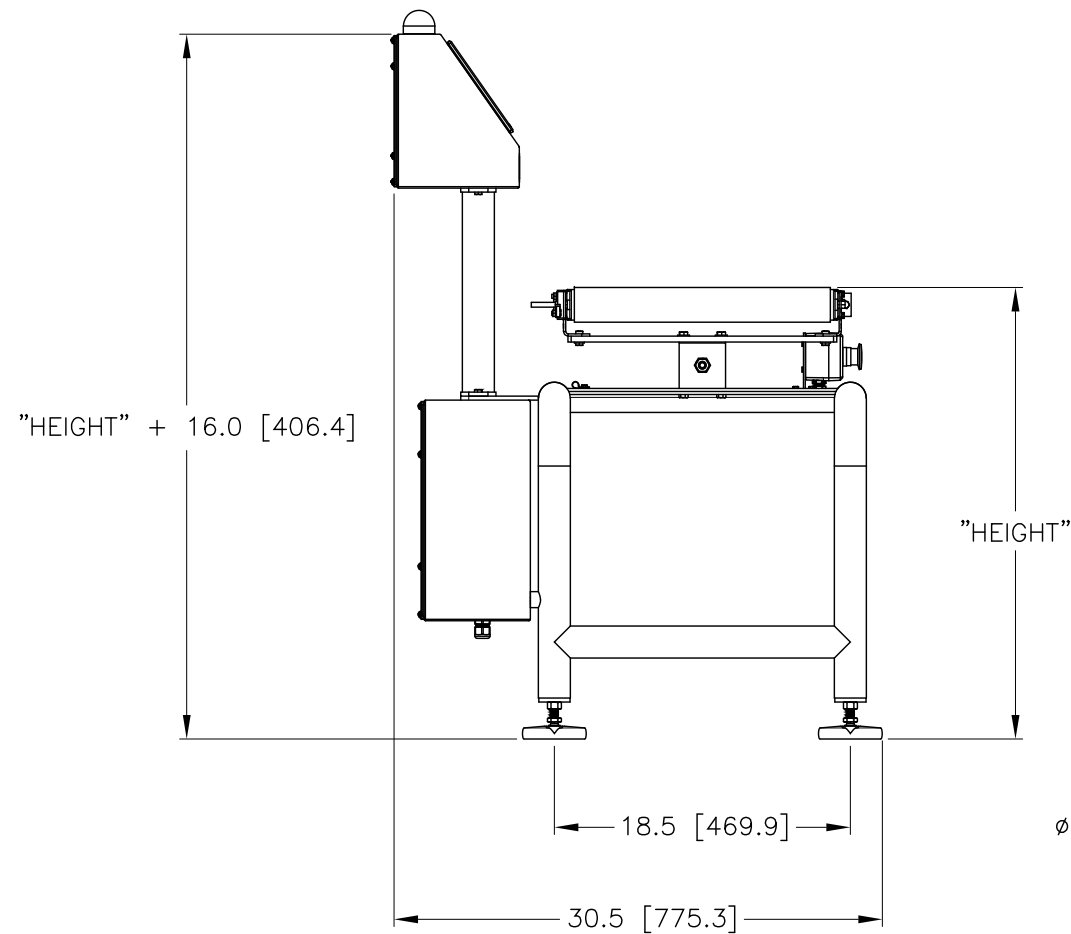
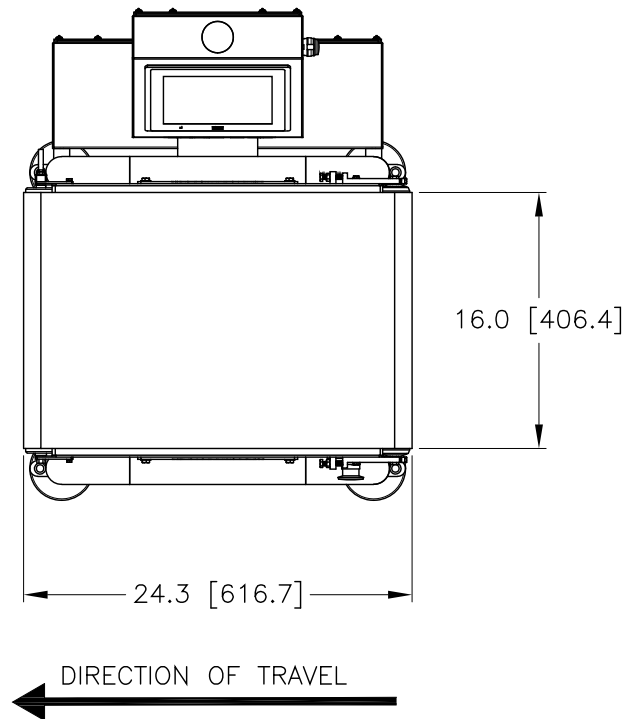


REV.	ECO/DDC	DESCRIPTION	DATE	DRAFT	CHECK	APV'D
A	----	RELEASED.	02-12-21	V.J.C.	T.D.N.	V.J.C.

DIMENSIONS IN INCHES [MM]		
HEIGHT-NOMINAL	HEIGHT-MINIMUM	HEIGHT-MAXIMUM
26.0 [660.4]	24.0 [609.6]	28.0 [711.2]
30.0 [762.0]	28.0 [711.2]	32.0 [812.8]
34.0 [863.6]	32.0 [812.8]	36.0 [914.4]
38.0 [965.2]	36.0 [914.4]	40.0 [1016.0]
42.0 [1066.8]	40.0 [1016.0]	44.0 [1117.6]



Customer Provided Variables

Package Information

Description:				
	Length (in)	Width (in)	Weight (lb.)	Rate (ppm)
Largest Pkg				
Smallest Pkg				

Material Handling

	Infeed Speed (fpm)	Controlled Spacing (Y/N)	Minimum Package Pitch (in)	Package Direction (L-R, R-L)
Largest Pkg				
Smallest Pkg				

Pitch to be stated as center to center spacing of one package to the next

Belt Type (check one): Black(PVC) White(FDA)

Roller (check one): Galv (IP54) SS (IP66)

Construction (check one): Painted Stainless

Performance

Maximum Rcmd. Weight	Maximum Speed	Enviro. Rating	Voltage / Current	Air (Reject Only)
40 lbs	120FPM		120 VAC / 5 AMP	80 PSI / 4 CFM

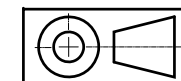
Customer Approval Signature _____

Print Name _____

Date _____

NOTES: UNLESS OTHERWISE SPECIFIED

PROPRIETARY NOTICE
 ALL DATA AND INFORMATION CONTAINED IN OR DISCLOSED BY THIS DOCUMENT IS CONFIDENTIAL AND PROPRIETARY INFORMATION OF HARDY PROCESS SOLUTIONS INC. AND ALL RIGHTS THEREIN ARE EXPRESSLY RESERVED. BY ACCEPTING THIS MATERIAL THE RECIPIENT AGREES THAT THIS MATERIAL AND THE INFORMATION CONTAINED THEREIN IS HELD IN CONFIDENCE AND IN TRUST AND SHALL NOT BE USED, COPIED, REPRODUCED IN WHOLE OR IN PART, NOR ITS CONTENTS REVEALED IN ANY MANNER TO OTHERS, EXCEPT TO MEET THE SPECIFIC PURPOSE FOR WHICH IT WAS DELIVERED.



0588-0190		LAYOUT DRAWING, HPS-CW2, 16"X24", RIGHT TO LEFT DIRECTION		
ITEM	QTY	PART NUMBER	DESCRIPTION	COMMENTS
PARTS LIST				
UNLESS OTHERWISE SPECIFIED DIMENSIONS ARE IN INCHES TOLERANCES ARE:		CONTRACT NO.		
FRACTIONS: N/A		APPROVALS		
DECIMALS: .XX = ±.03		DRAWN	DATE	TITLE
.XXX = ±.010		V. CHULA	01-26-21	HARDY PROCESS SOLUTIONS
ANGLES: ±0°, 30°		CHECKED	DATE	
		T. NORMAN	02-12-21	
		APPROVED	DATE	
MATERIAL		V. CHULA	02-12-21	LAYOUT DRAWING, HPS-CW2, 16"X24", RIGHT TO LEFT DIR
FINISH		ISSUED	DATE	SIZE FSCM DRAWING NO. REV.
		V. CHULA	02-12-21	D 21316 0588-0190 A
DO NOT SCALE DRAWING		PRODUCTION	DATE	FILE NAME: 0588-0190A1.DWG SCALE: NONE SHEET 1 OF 1