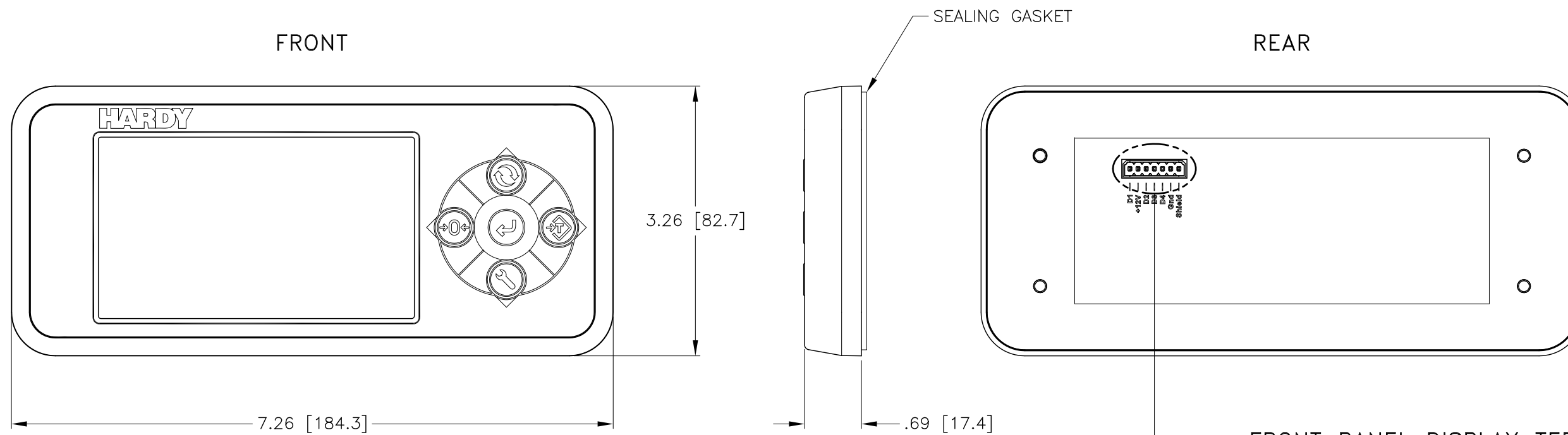
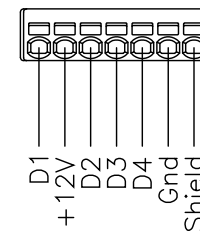


REV.	ECO/DDC	DESCRIPTION	DATE	DRAFT	CHECK	APV'D
A	----	RELEASED.	10-30-14	V.J.C.	N.H.S.	T.N.

HI 6100 SERIES FRONT PANEL DISPLAY



FRONT PANEL DISPLAY TERMINAL BLOCK



NOTES:

- INPUT VOLTAGE RANGE:
12 VDC, 0.16 AMP, 1.92 WATT.
- SEE INSTRUMENT USER'S GUIDE FOR ADDITIONAL INFORMATION ON DISPLAY TERMINATIONS.
- WIRE SIZE: 20 AWG MAXIMUM / 26 AWG MINIMUM.
WIRE TEMPERATURE RATING TO BE 90° C.
TERMINAL TYPE: SPRING CAGE CONTACT.
INSERTION/RELEASE TOOL: 2.0MM X .4MM WIDE SCREW DRIVER BLADE.
- MAXIMUM CABLE LENGTH: 100 FEET [30.48 METERS]

DIMENSIONS = INCH [MM]

3. IF THE HI 6100 SERIES DISPLAY IS USED IN A MANNER NOT SPECIFIED BY HARDY PROCESS SOLUTIONS, THE PROTECTION PROVIDED BY THE DISPLAY MAY BE IMPAIRED.

2. SEE SHEET 2 FOR PANEL MOUNTING DIMENSIONS AND HARDWARE INSTALLATION.

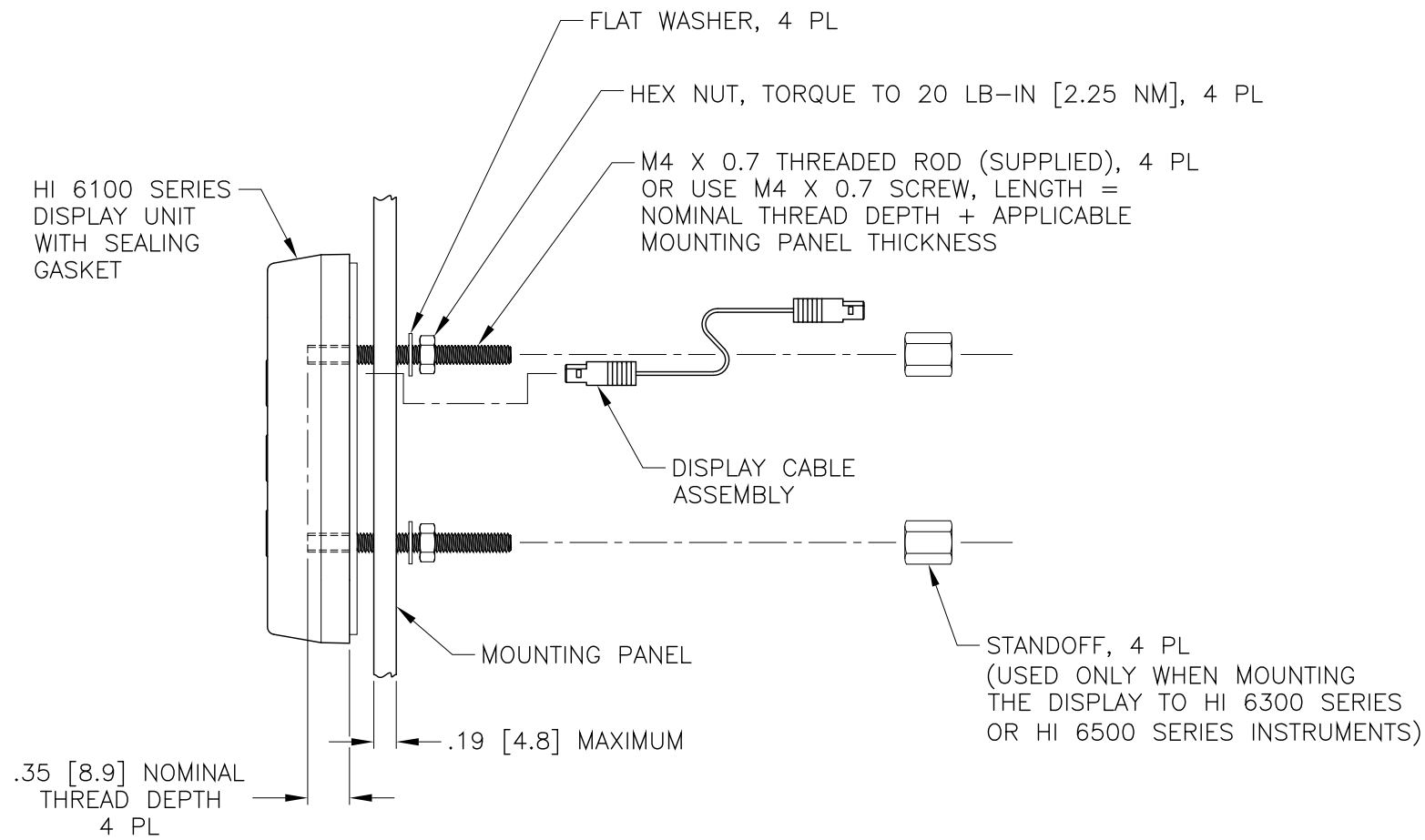
1. SEE HARDY PROCESS SOLUTIONS WEB SITE FOR ADDITIONAL MOUNTING AND WIRING INFORMATION.

NOTES: UNLESS OTHERWISE SPECIFIED

		0584-0086	I/I DIAGRAM, HI 6100 SERIES DISPLAY	SEE SEPARATE PARTS LIST
ITEM	QTY	PART NUMBER	DESCRIPTION	COMMENTS
PARTS LIST				
UNLESS OTHERWISE SPECIFIED DIMENSIONS ARE IN INCHES [MM]		CONTRACT NO.		
FRACTIONS: N/A DECIMALS: .XX = N/A .XXX = N/A ANGLES: N/A		APPROVALS		
MATERIAL		DRAWN V. CHULA	DATE 10-30-14	HARDY PROCESS SOLUTIONS I/I DIAGRAM, HI 6100 SERIES DISPLAY
		CHECKED N. SCHERRER	DATE 10-30-14	
FINISH		APPROVED T. NORMAN	DATE 10-30-14	
		ISSUED V. CHULA	DATE 10-30-14	
DO NOT SCALE DRAWING		PRODUCTION	DATE	REV. A
SIZE	FSCM	DRAWING NO.	REV.	
D	21316	0584-0086	A	
FILE NAME: 584086A1.DWG		SCALE: NONE	SHEET 1 OF 2	

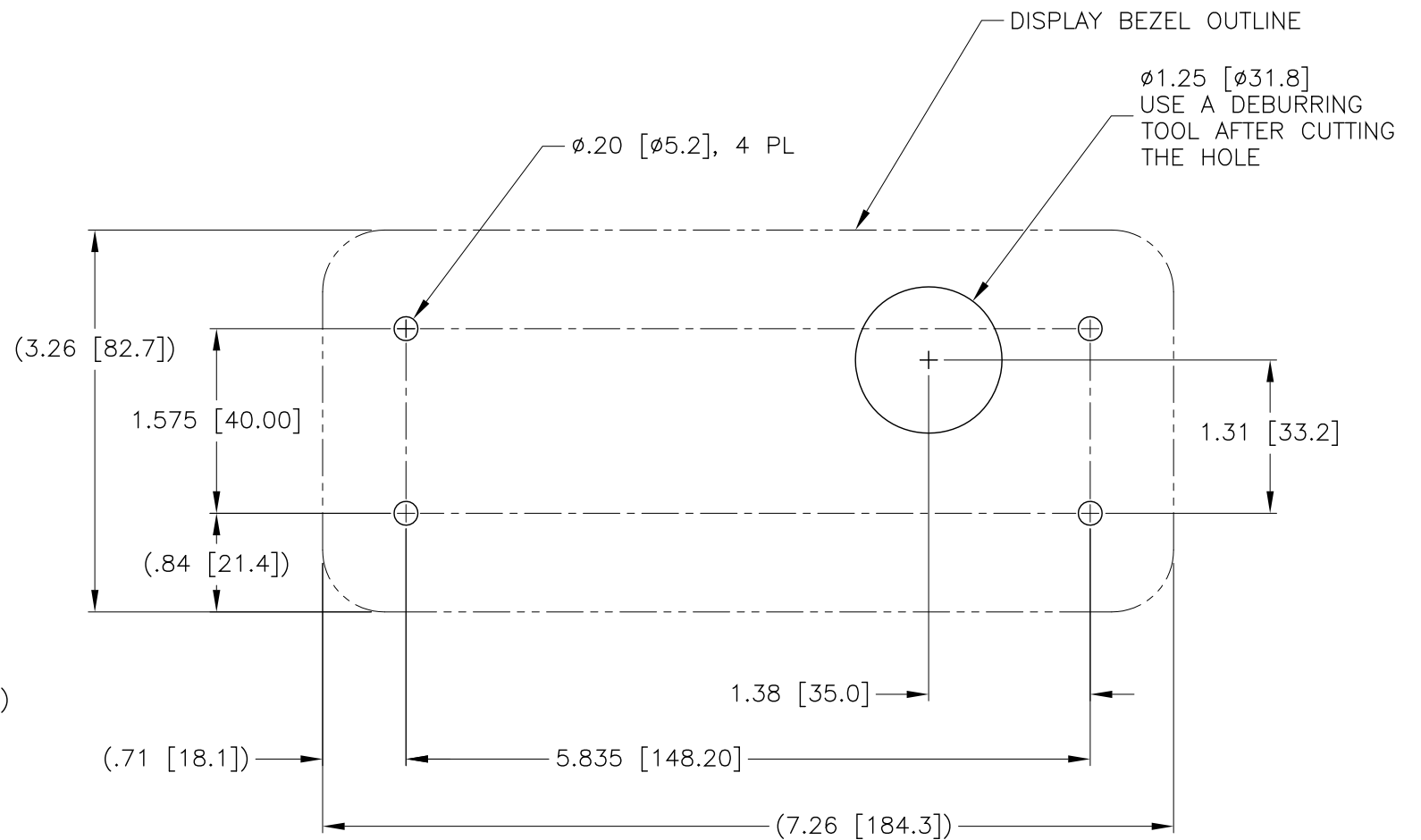
PROPRIETARY NOTICE
ALL DATA AND INFORMATION CONTAINED IN OR DISCLOSED BY THIS DOCUMENT IS CONFIDENTIAL AND PROPRIETARY INFORMATION OF HARDY PROCESS SOLUTIONS INC. AND ALL RIGHTS THEREIN ARE EXPRESSLY RESERVED. BY ACCEPTING THIS MATERIAL THE RECIPIENT AGREES THAT THIS MATERIAL AND THE INFORMATION CONTAINED THEREIN IS HELD IN CONFIDENCE AND IN TRUST AND SHALL NOT BE USED, COPIED, REPRODUCED IN WHOLE OR IN PART, NOR ITS CONTENTS REVEALED IN ANY MANNER TO OTHERS, EXCEPT TO MEET THE SPECIFIC PURPOSE FOR WHICH IT WAS DELIVERED.

HI 6100 SERIES DISPLAY PANEL MOUNTING ARRANGMENT



HI 6100 SERIES DISPLAY PANEL MOUNT ARRANGEMENT

WHEN ORDERED, HI 6100 SERIES DISPLAYS ARE SUPPLIED WITH THE FOLLOWING PARTS:
 DISPLAY UNIT WITH SEALING GASKET (1)
 4.00±.12 [101.6±3.0] LONG DISPLAY CABLE ASSEMBLY (1)
 M4 X 0.7, 50MM LONG THREADED ROD (4)
 FLAT WASHER (4)
 HEX NUT (4)
 STANDOFF (4)
 PRINTED DISPLAY MOUNTING TEMPLATE



FRONT PANEL DISPLAY MOUNTING DIMENSIONS

[VIEWED FROM FRONT OF DISPLAY UNIT]

DIMENSIONS = INCH [MM]

HARDY PROCESS SOLUTIONS			
TITLE I/I DIAGRAM, HI 6100 SERIES DISPLAY			
SIZE	FSCM	DRAWING NO.	REV.
D	21316	0584-0086	A
FILE NAME: 584086A1.DWG		SCALE: NONE	SHEET 2 OF 2