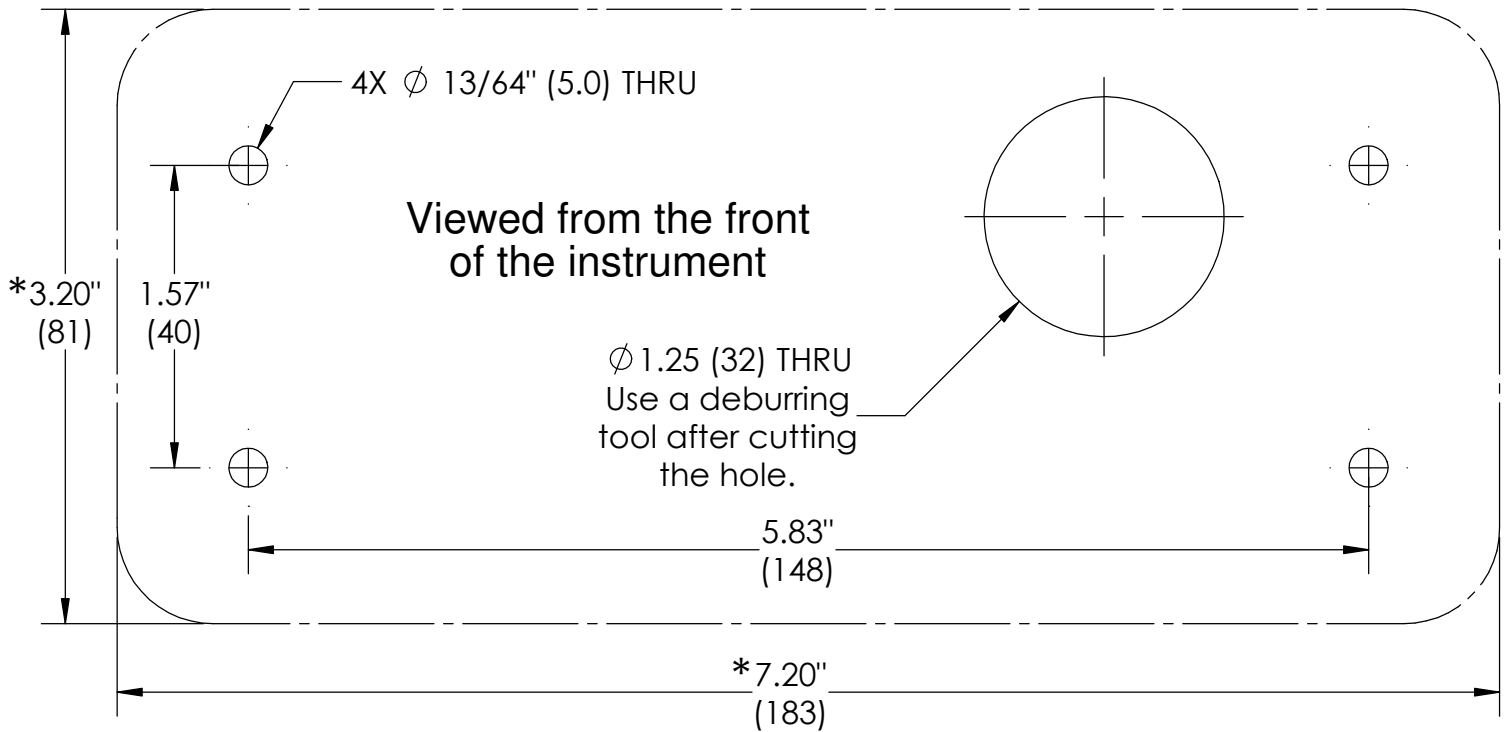


HI 6000 SERIES PANEL MOUNT TEMPLATE



*** NOTE: Verify the dimensional accuracy of any paper template before use. To print this template, the setting for the Page Scaling must be set to NONE.**

