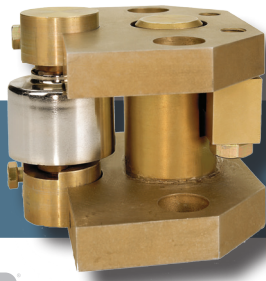


ADVANTAGE LINE - HIGH CAPACITY LOW PROFILE



HI LPRA Hermetic Load Point Assembly Compression

The Hardy HI LPRA ADVANTAGE® Series, Low Profile, rocker load point systems are designed for use on high capacity vessels.

Each load point consists of mounting hardware and a stainless steel mV/V, mV/V/ohm matched, short rocker type load sensor with true hermetic sealing, C2® Electronic Calibration capabilities, on-board electronic certs, a ¼ NPT conduit adapter and thirty feet of cable. Each low profile rocker load point system provides built-in checking, lift-off protection and is specifically designed to eliminate the effects of unwanted forces to provide the highest possible accuracy. A grounding strap, fixed color code wiring label and installation manual are provided with each load point. The mounting hardware is available in either stainless or zinc plated steel. The sensors have an IP rating of IP68/IP69K and are NTEP Class III.

The HI LPRA short rocker load point assembly is available in the following standard capacities: 33K lbs and 50K lbs. They, along with the HI LPRC03, are replacements for the HI LPD series load point line.

SPECIFICATIONS

Rated Output (ES)	2 ± 0.002 mV/V
Non-Linearity	< ± 0.012 % R.O.
Hysteresis	< ± 0.025 % R.O.
Zero Balance	< ± 1.0 % R.O.
Creep @ 5 Min.	< ± 0.010 % R.O.
Temp Effect Output	< ± 0.0014 % R.O./C
Temp Effect Sensitivity	< ± 0.0005 % R.O./C
Input Resistance	1150 ± 50 ohm
Output Resistance	1000 ± 10 ohm
Insulation Resistance	> 5000 Mohm
Excitation	5 - 15 vdc
Safe Load Limit	200 % Emax
Ultimate Load	300 % Emax
Safe Side Load LC	100% Emax
Safe Side Load LP	16.86 Klbs
Max Lift Off	16.86 Klbs
Warranty	Two years

ORDERING INFORMATION

Load Point can be ordered with zinc plated Hardware (-45C) as shown, or optional Stainless Hardware (-43C)

Shipping Weight approx 30 lbs. for Load Point, 4 lbs. for Sensors.

Capacity		Model #	Model#
lbs	mt	FIXED Assy	SPARE Load Sensor
33K	15	HI LPRA33K- 45C	HI RCH04-33K
50K	23	HI LPRA50K- 45C	HI RCH04-50K

Load points can be ordered as a system rather than ordering individual components.

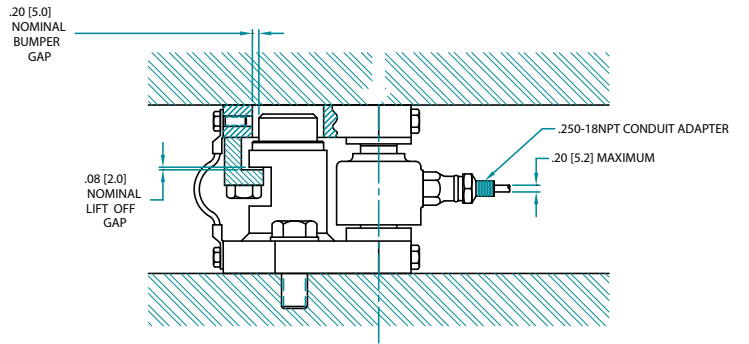
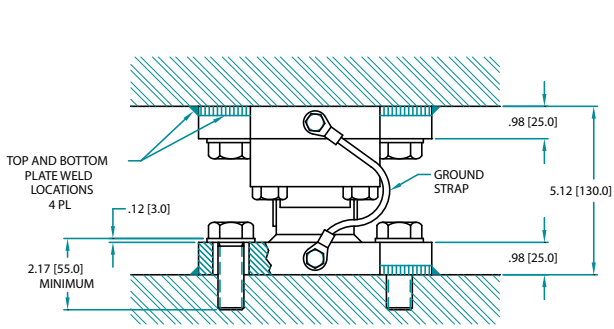
3 POINT SYSTEMS

CAPACITY		MODEL#
lbs	mt	
99k	45	HI 3R99K-45
150K	69	HI 3R150K-45

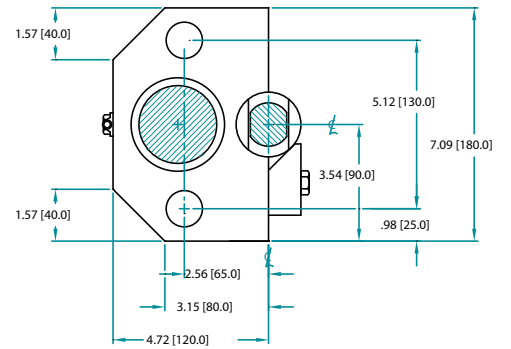
4 POINT SYSTEMS

CAPACITY		MODEL#
lbs	mt	
132K	60	HI 4R132K-45
200K	91	HI 4R200K-45

ADVANTAGE Load Point Outline



HI LRA Series



C2 WIRE COLOR CODE FLAG LABEL IS FOUND APPROX. 10 IN. FROM END OF SENSOR'S CABLE

EXCITATION +	RED
EXCITATION -	BLACK
SIGNAL +	GREEN
SIGNAL -	WHITE
C2+	GRAY
C2 -	VIOLET
SHIELD	YELLOW

WARNING: NEVER cut load sensor cable

CABLE LENGTH 30 FEET

ADVANTAGE Load Sensor Outline

HI RCH04 Series

