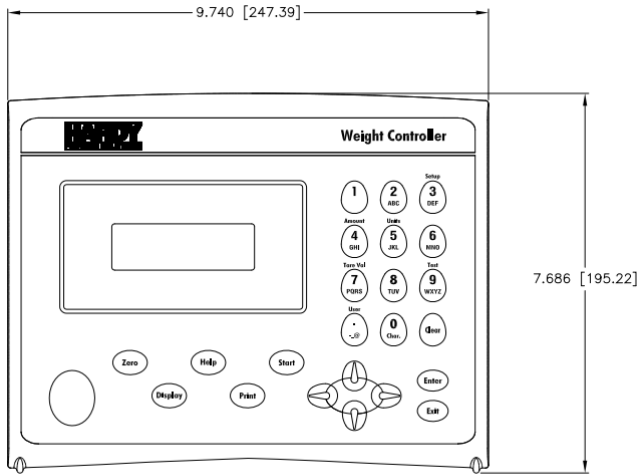
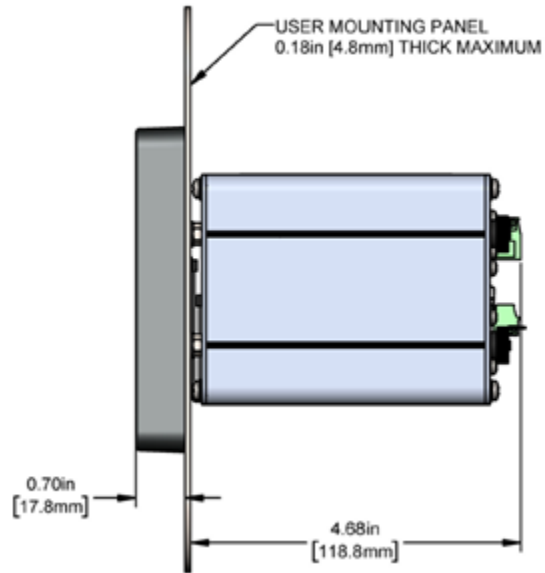
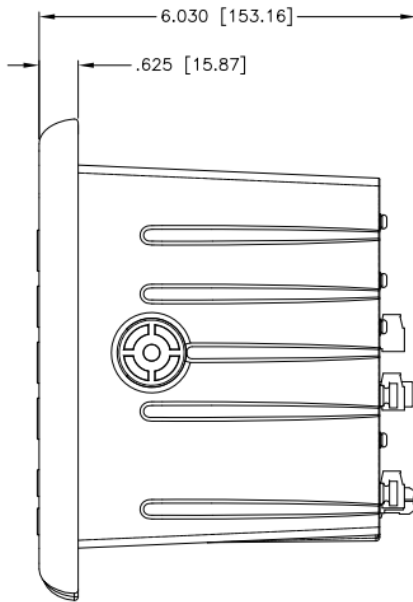
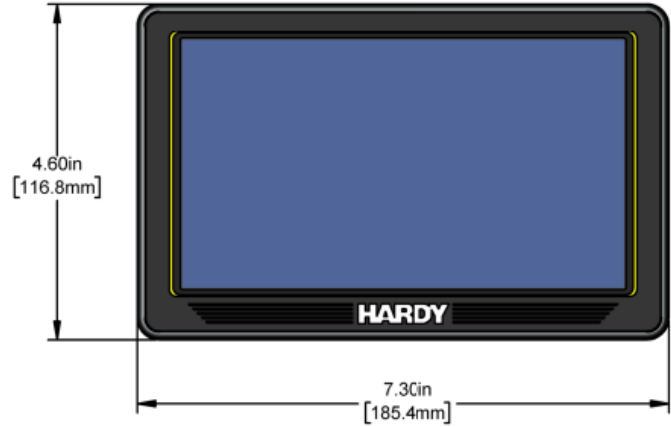


Technical Note
HI3030 to HI6850 Migration

HI3030



HI6850

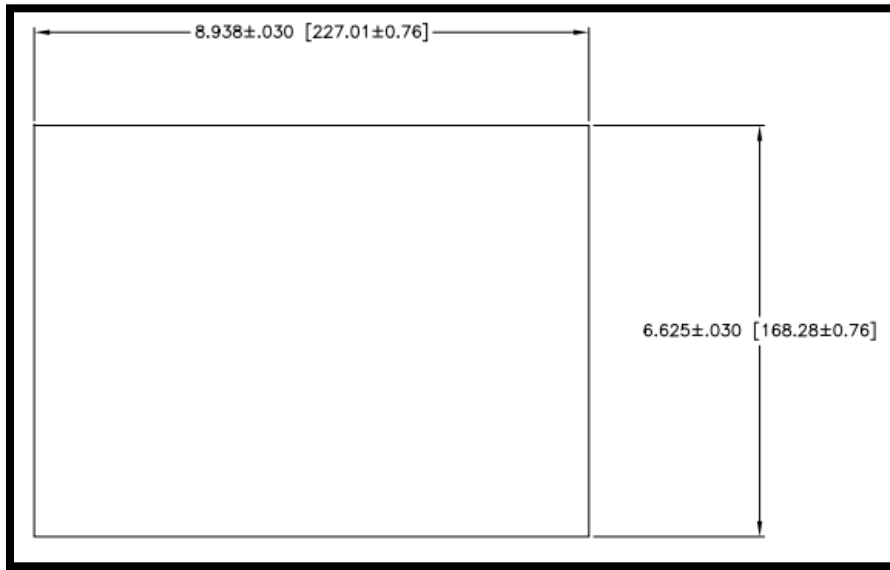


Drawings not to scale. Refer to Website drawings for scalable files.

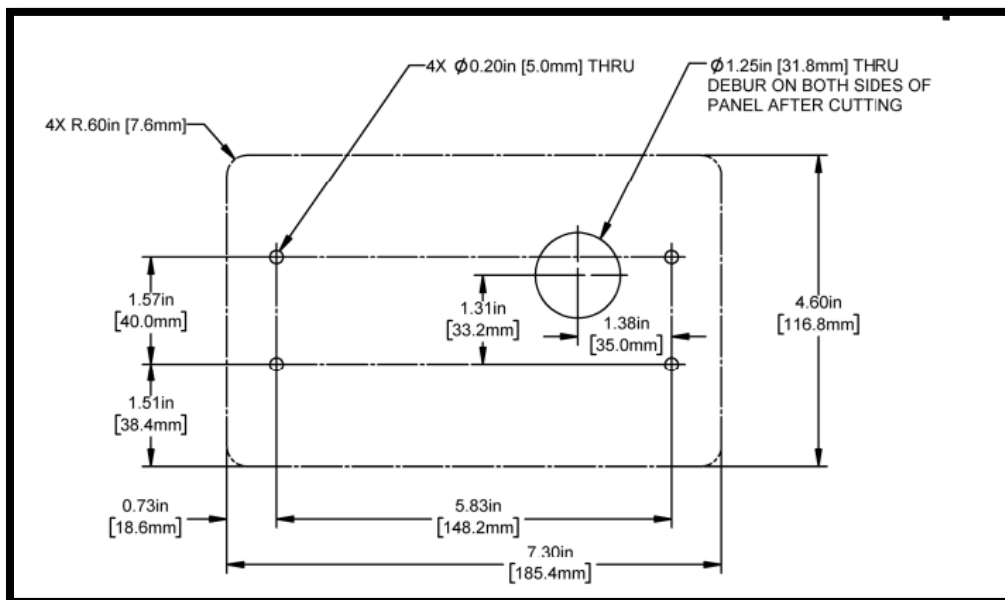
Panel Mount Cutout Dimensions and Adapter Plate

An adapter plate is required for the migration from the HI3030 to the HI6850

HI3030 Cutout Dimensions

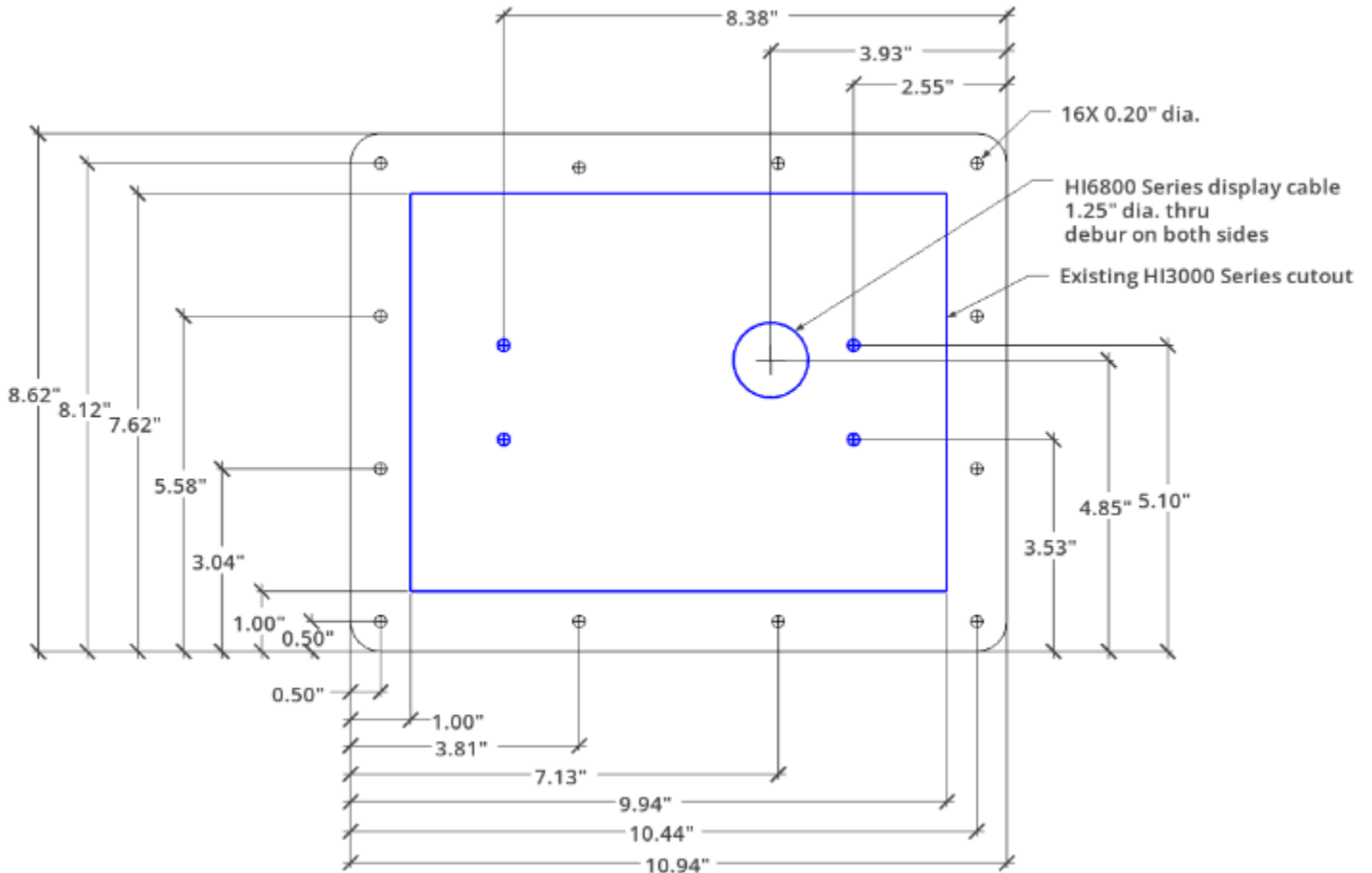


HI6850 Holes and Dimensions



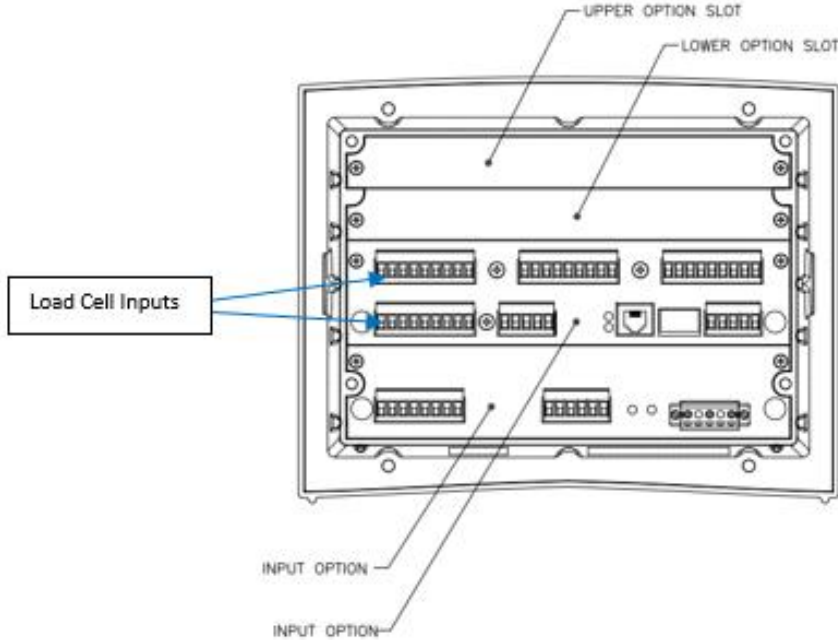
Drawings not to scale. Refer to Website drawings for scalable files.

HI3030 to HI6850 Adapter Plate

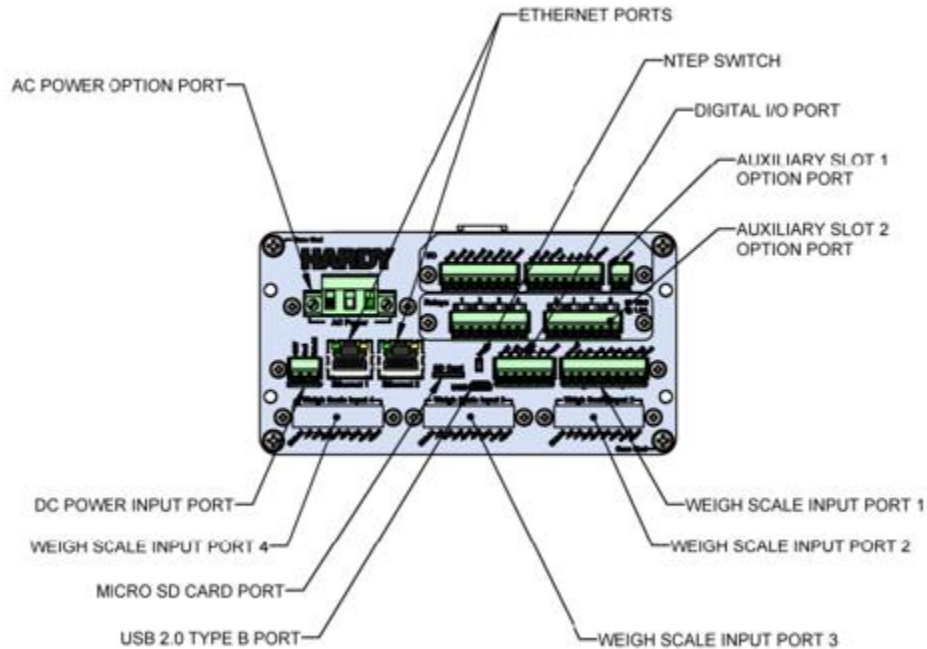


Drawings not to scale. Refer to Website drawings for scalable files.

INPUT CONNECTIONS
HI3030



HI6850



Drawings not to scale. Refer to website drawings for scalable files.

HI6850 COMMUNICATIONS

- HI6850 default IP address: 192.168.0.100
- EIP and Modbus TCP are standard.
- All AOP/EDS Files are on the Hardy website.
- Refer to the website manuals for all possible commands and statuses not listed here.

HI3030 Output Table

Mapping required.
 "1" Entered in O.0.

HI3030:O	{...}	AB:ETHE
HI3030:O.Data	{...} Decimal	DINT[124
HI3030:O.Data[0]	1 Decimal	DINT
HI3030:O.Data[0].0	1 Decimal	BOOL
HI3030:O.Data[0].1	0 Decimal	BOOL

C2 Calibration
 Command

HI6850 Output Table

No mapping required.
 "66" Entered in Command Word

HI6850:O	{...}	_0102
HI6850:O.Aux_Command_Information	0 Decimal	INT
HI6850:O.Channel_Number	1 Decimal	INT
HI6850:O.Command	16#0066 Hex	INT
HI6850:O.Parameter_ID	0 Decimal	INT
HI6850:O.Parameter_Value	0 Decimal	DINT

HI3030 Weight Input

Mapping and COP required to view Float format.
 See below. Refer to manual for details.

HI3030:I	{...}	AB:ETHE
HI3030:I.Data	{...} Decimal	INT[12
HI3030:I.Data[0]	18350 Decimal	INT
HI3030:I.Data[1]	16257 Decimal	INT
HI3030:I.Data[2]	0 Decimal	INT

COP	
Source	HI3030:I.Data[0]
Dest	HI3030_Gross_Weight
Length	1

HI3030_Gross_Weight	1.01	Float	REAL
---------------------	------	-------	------

Weight Value

HI6850 Weight Input

No mapping required.

Hardy_HI6850:C	{...}	
Hardy_HI6850:I	{...}	
Hardy_HI6850:I.Ch1_Gross_Weight	0.0	Float
Hardy_HI6850:I.Ch1_Net_Weight	0.0	Float
Hardy_HI6850:I.Ch2_Gross_Weight	0.0	Float
Hardy_HI6850:I.Ch2_Net_Weight	0.0	Float

HI3030 Commands and Statuses

3030 inputs, outputs, commands and statuses communicated to/from the PLC come from the internal 3030 “mapping”. Current mapping is best observed via the 3030 internal webpage.

HI6850 Commands and Statuses

HI6850 Table

No mapping required. Commands are entered into the instrument’s output table in the PLC.

Command Number	Command
(0x00)0	Read Parameter
(0x01)1	Zero Cmd
(0x02)2	Tare Cmd
(0x64) 100 dec	Cal Low Cmd
(0x65) 101 dec	Cal High Cmd
(0x66) 102 dec	C2 Cal Cmd
(0x80) 128 dec	IT Test
(0x81) 129 dec	Stability Test
(0x82) 130 dec	IT Test (Reduced Voltage)
(0x83) 131 dec	C2 Search
(0x92) 146 dec	Write Value Command
(0x94) 148 dec	Set Default Parameters (all parameters except IP addresses)
(0x95) 149 dec	Set Default Network Parameters (IP addresses only)
(0x97) 151 dec	Save Last Good Configuration to Non-volatile Memory
(0x98) 152 dec	Restore Last Good Configuration from Non-volatile Memory

HI6850 Command Status Returns

Can be read from the instrument’s input table of the PLC.

Return Value	Description
0	Success
1	Fail
2	Fail - ADC error and ADC failure
3	Fail - out of tolerance
4	Fail - motion
5	Fail - no C2 load cells found
6	Fail - C2 capacities not equal
7	Fail - non-Hardy C2 load sensor
8	Fail - not enough counts between Cal low and Cal high weights
11	Fail – param value too high
12	Fail – param value too low
13	Fail – not allowed
128	Fail – Parameter ID not found

Refer to the Hardy website manuals for further details.