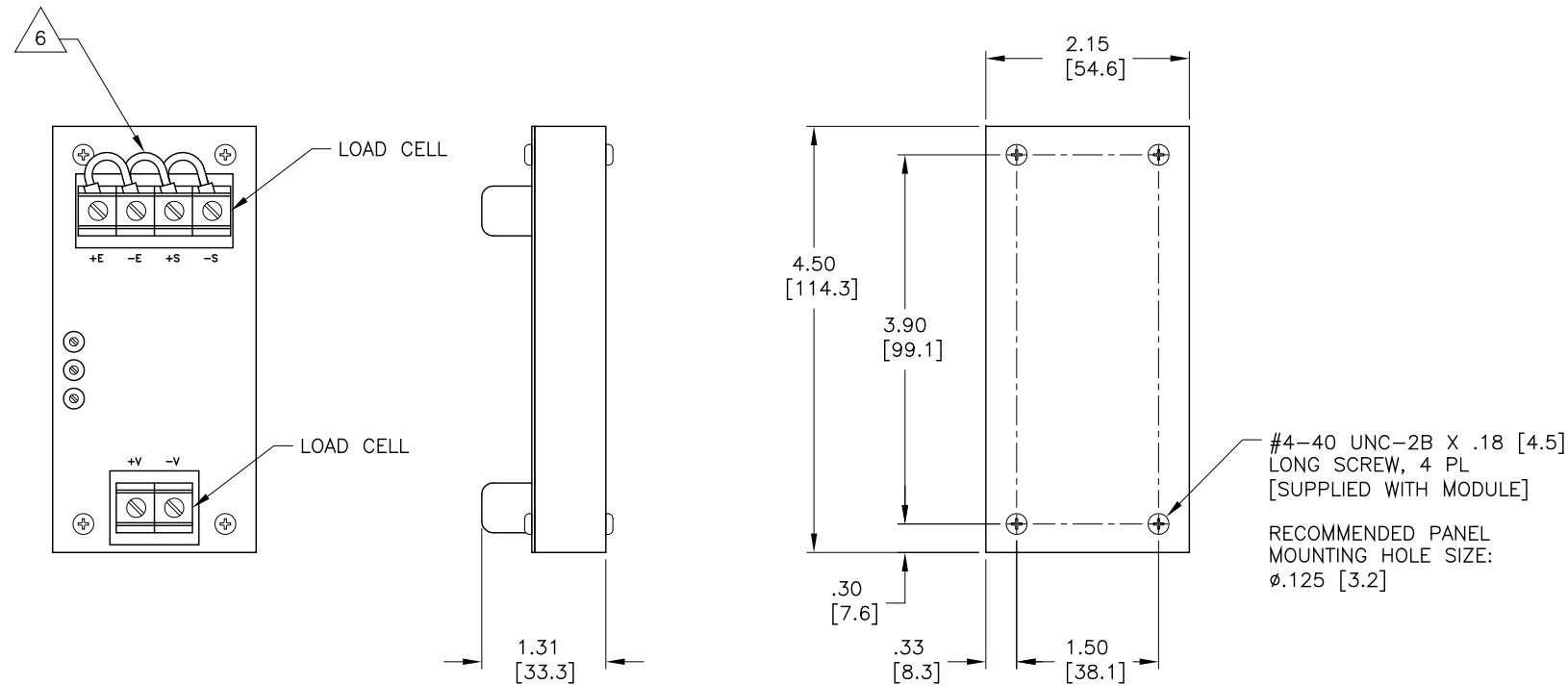


| REV. | ECO/DDC | DESCRIPTION | DATE | DRAFT | CHECK | APV'D |
|------|---------|------------------------------|----------|--------|--------|--------|
| | 11050 | REVISED PER ECN AND REDRAWN. | 02-23-12 | V.J.C. | D.F.D. | V.J.C. |

MODEL HI 2201LT
MODEL HI 2204LT

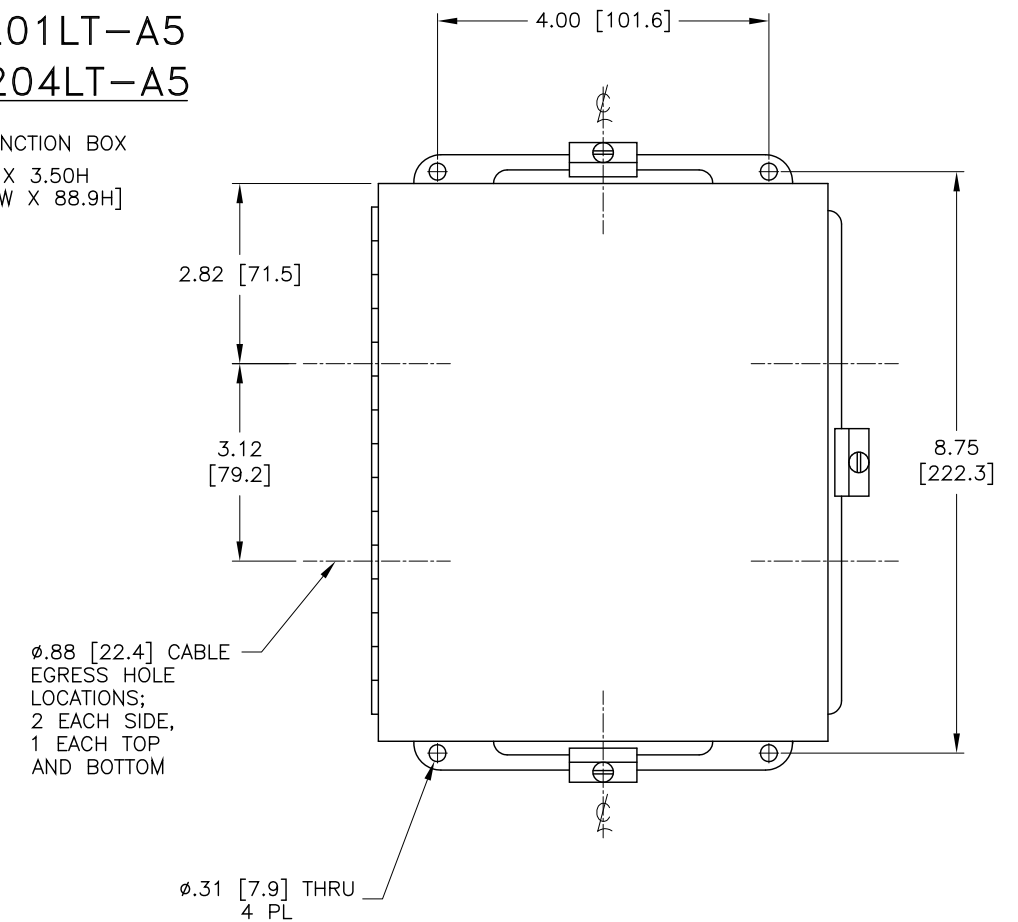


MODEL HI 2201LT-A3
MODEL HI 2204LT-A3

PAINTED STEEL JUNCTION BOX
8.00L X 6.00W X 3.50H
[203.2 L X 152.4W X 88.9H]

MODEL HI 2201LT-A5
MODEL HI 2204LT-A5

STAINLESS STEEL JUNCTION BOX
8.00L X 6.00W X 3.50H
[203.2 L X 152.4W X 88.9H]



NOTE:
CABLE GRIP FITTINGS ARE
CORROSION RESISTANT
NYLON 1/2" NPT.

- 6 HI 2201LT, HI 2201LT AND HI 2204LT SHIPPED WITH SHORTING BUS WIRE. WIRES TO BE REMOVED AT INSTALLATION.
- 5 SEE MANUAL FOR INFORMATION ON PROPER SHIELD TERMINATION.
4. STEEL BOXES HAVE GRAY ENAMEL FINISH. COVER CLAMPS, SCREWS AND HINGE PIN ARE STAINLESS STEEL.
 3. END USER TO ENLARGE HOLES, IF NECESSARY, FOR DESIRED CONDUIT.
 2. CABLE GRIP FITTINGS (1 PER EACH LOAD CELL USED +1 FOR INSTRUMENTS) ARE SHIPPED INSIDE ENCLOSURE AND TO BE INSTALLED IN LOCATIONS REQUIRED BY CUSTOMER. FITTINGS SUITABLE FOR CABLE O.D. FROM 1/4 TO 3/8.
 1. REFER TO LOAD CELL CAL SHEET OR WEIGHING ASSEMBLY SELECTION GUIDE FOR LOAD CELL WIRING COLOR CODE.

NOTES: UNLESS OTHERWISE SPECIFIED

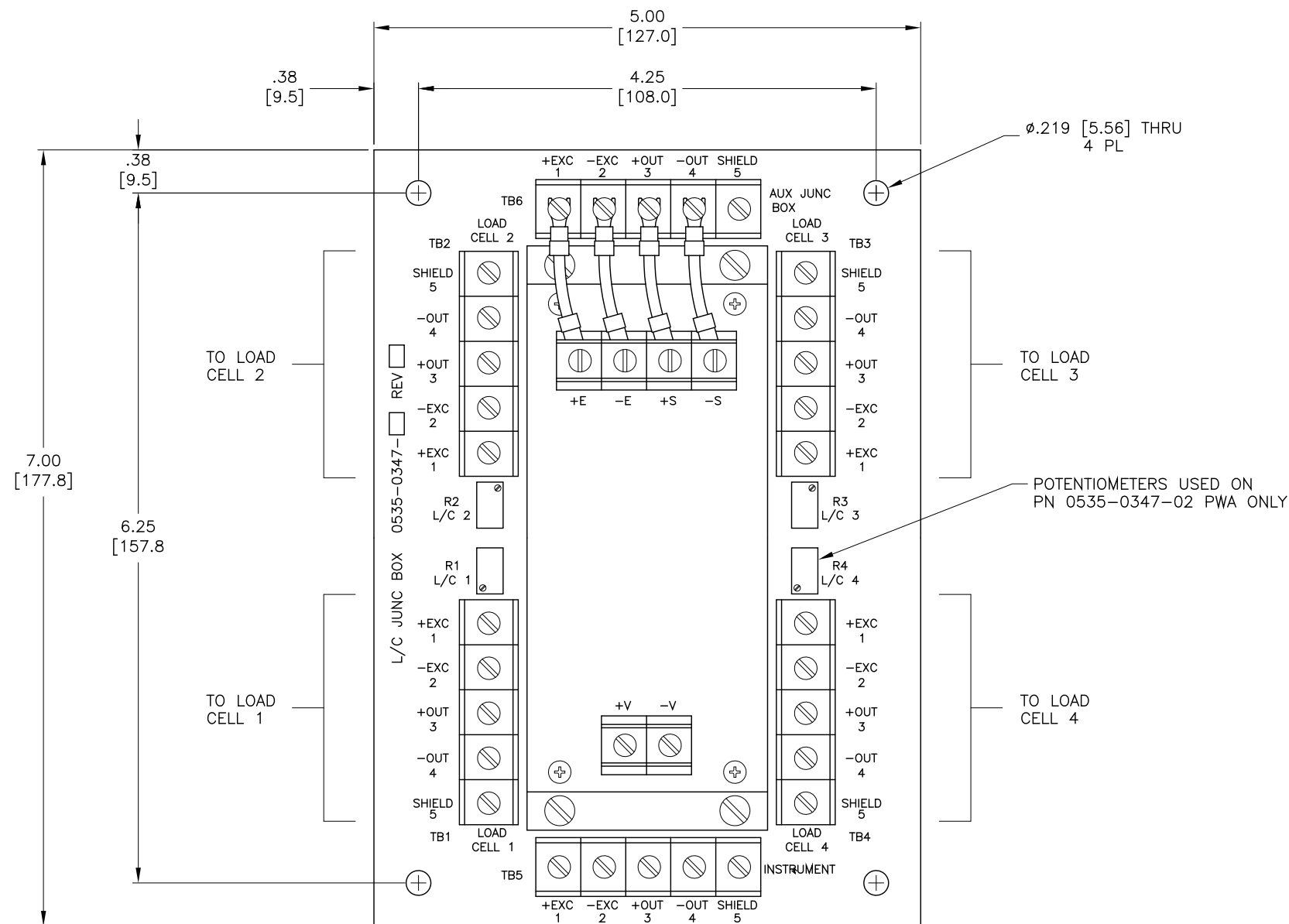
PROPRIETARY NOTICE
ALL DATA AND INFORMATION CONTAINED IN OR DISCLOSED BY THIS DOCUMENT IS CONFIDENTIAL AND PROPRIETARY INFORMATION OF HARDY PROCESS SOLUTIONS INC. AND ALL RIGHTS THEREIN ARE EXPRESSLY RESERVED. BY ACCEPTING THIS MATERIAL THE RECIPIENT AGREES THAT THIS MATERIAL AND THE INFORMATION CONTAINED THEREIN IS HELD IN CONFIDENCE AND IN TRUST AND SHALL NOT BE USED, COPIED, REPRODUCED IN WHOLE OR IN PART, NOR ITS CONTENTS REVEALED IN ANY MANNER TO OTHERS, EXCEPT TO MEET THE SPECIFIC PURPOSE FOR WHICH IT WAS DELIVERED.

DIMENSIONS IN INCHES [MM]

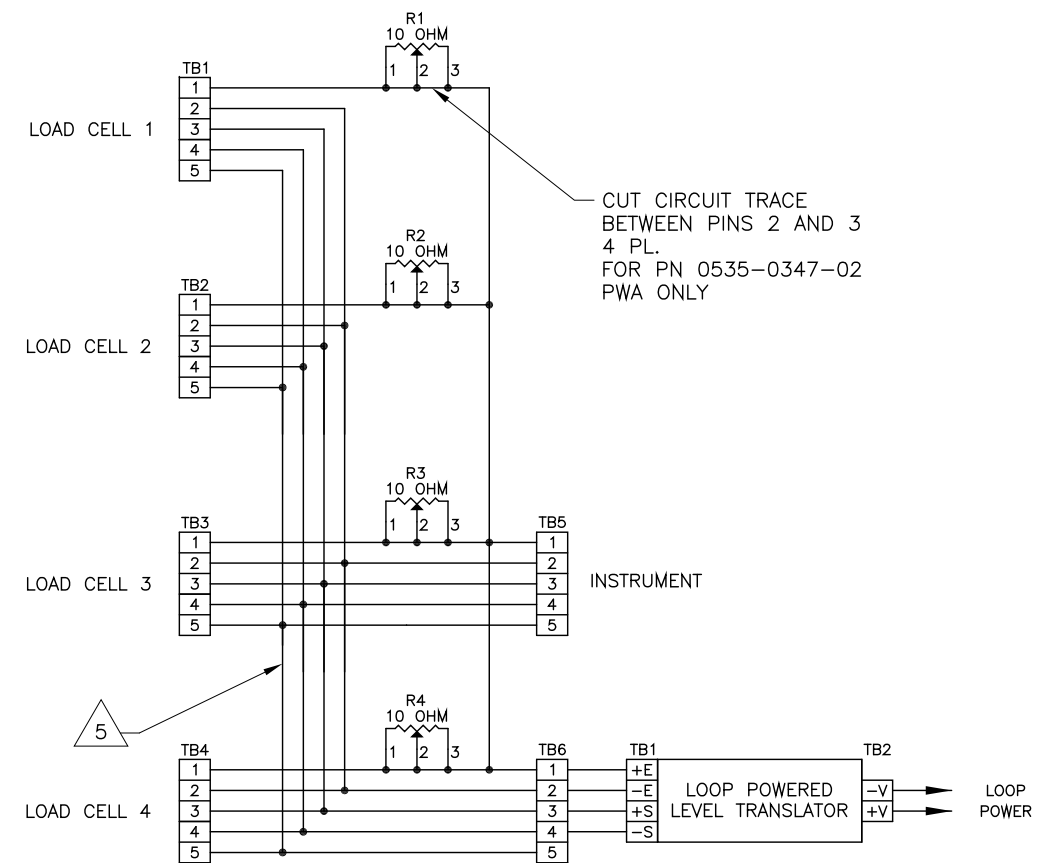
| ITEM | QTY | PART NUMBER | DESCRIPTION | COMMENTS |
|--|-----|----------------------|-------------|---|
| PARTS LIST | | | | |
| UNLESS OTHERWISE SPECIFIED DIMENSIONS ARE IN INCHES TOLERANCES ARE: FRACTIONS: N/A DECIMALS: .XX = \pm .03 .XXX = \pm .010 ANGLES: \pm 0°, 30' | | CONTRACT NO. | | HARDY PROCESS SOLUTIONS |
| MATERIAL | | APPROVALS | | |
| FINISH | | DRAWN V. CHULA | | |
| DO NOT SCALE DRAWING | | DATE 02-23-12 | | |
| | | CHECKED D. DRAKE | | TITLE I/I DIAGRAM, HI 2201LT/ HI 2204LT LOOP POWERED LEVEL WEIGHT TRANSMITTER |
| | | APPROVED V. CHULA | | SIZE D |
| | | ISSUED V. CHULA | | FSCM 21316 |
| | | PRODUCTION | | DRAWING NO. 0582-0486 |
| | | | | REV. B |
| | | | | FILE NAME: 582486B1.DWG |
| | | | | SCALE: NONE |
| | | | | SHEET 1 OF 2 |

MODEL HI 2201LT-A3
 MODEL HI 2204LT-A3
 MODEL HI 2201LT-A5
 MODEL HI 2204LT-A5

JUNCTION BOX FIELD WIRING



SCHEMATIC DIAGRAM
 LOAD CELL JUNCTION BOX PWA
 WITH LOOP POWERED LEVEL TRANSLATOR



| | | | |
|--|-------|-------------|--------------|
| TITLE | | | |
| I/I DIAGRAM, HI 2201LT/HI 2204LT LOOP POWERED LEVEL WEIGHT TRANSMITTER | | | |
| SIZE | FSCM | DRAWING NO. | REV. |
| D | 21316 | 0582-0486 | B |
| FILE NAME: 582486B1.DWG | | SCALE: NONE | SHEET 2 OF 2 |