

PERFORMANCE S-BEAM

ST03C-SS series



The Hardy Process Solutions ST03C tension type stainless steel sensor is designed for hanging vessels, hoppers, filling machinery and process control.

ST03C tension load cells feature an IP67 rating, and improved potting which makes them suitable for use in industrial environments. They are available in capacities from 100 lb to 10 tons.

This versatile tension load cell can be mounted standalone or using threaded rods. It can also be used in compression applications

S-BEAM		
MODEL#	CAPACITY	
	kg/mt	lbs
ST03C-SS-50KG	50 Kg	110 Lbs.
ST03C-SS-100KG	100 Kg	220 Lbs.
ST03C-SS-250KG	250 Kg	550 Lbs.
ST03C-SS-500KG	500 Kg	1,100 Lbs.
ST03C-SS-1MT	1mt	2,200 Lbs.
ST03C-SS-2.5MT	2.5 mt	5,500 Lbs.
ST03C-SS-5MT	5 mt	11,000 Lbs.
ST03C-SS-7.5MT	7.5 mt	16,500 Lbs.
ST03C-SS-10MT	10 mt	22,000 Lbs.

All information and drawings on these pages are subject to change without notice. Consult website for latest specifications.

SPECIFICATIONS	
Rated Output (ES)	3.0 ± 0.008 mV/V
Combined Error	< ±0.02 % R.O.
Zero Balance	< ±1.0 % R.O.
Creep @ 30 Min.	< ±0.016 % R.O.
Temp Effect Output	< ±0.015 % R.O./C
Temp Effect Sensitivity	< ±0.011 % R.O./C
Input Resistance	430 ± 50
Output Resistance	351 ± 2.0 ohm
Insulation Resistance	> 5000 Mohm
Max # Verification Int.	3000
Recommended Torque	M8:25 M12:75 M20:400 M24:675 M30:1350
Metallurgy	Stainless Steel
Excitation	5 - 12 vdc
Safe Load Limit	150 % Emax
Ultimate Load	300 % Emax
Protection Class	IP67
Compensated Temp	-10 to +40 °C
Operating Temp	-35 to +65 °C
Storage Temp	-40 to +70 °C
Warranty	Two years

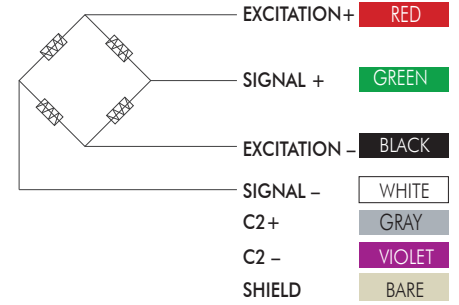


PERFORMANCE ST03C-SS Outline

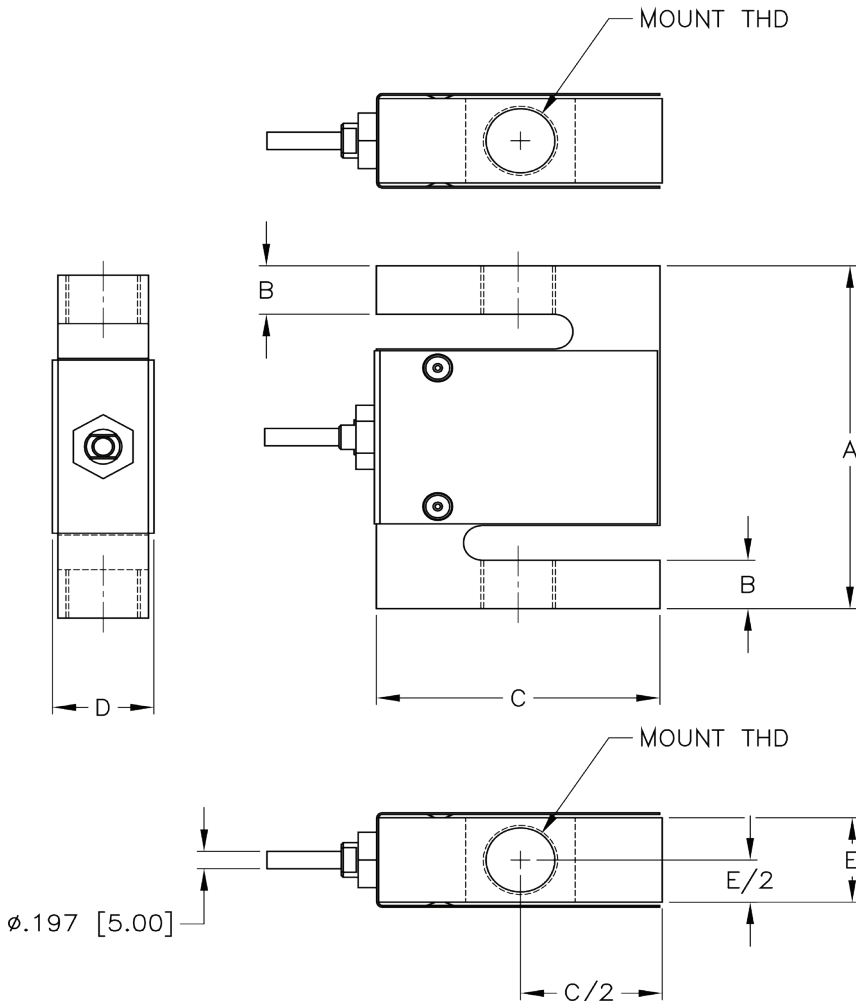
DIMENSIONS- INCHES & [mm]

CAPACITY LBS [KN]	MODEL NUMBER	A	B	C	D	E	MOUNT THD	TORQUE LB-FT [NM]
50KG [110 LB]	ST03C-SS-50KG	2.400 [60.96]	.350 [8.89]	2.000 [50.8]	.593 [15.06]	.460 [11.68]	M8	18 [25]
100KG [220 LB]	ST03C-SS-100KG							
250KG [550 LB]	ST03C-SS-250KG	2.400 [60.96]	.350 [8.89]	2.000 [50.8]	.843 [21.41]	.710 [18.03]	M12	55 [75]
500KG [1.1 KLB]	ST03C-SS-500KG							
1MT [2.2 KLB]	ST03C-SS-1MT	2.400 [60.96]	.350 [8.89]	2.000 [50.8]	1.093 [27.76]	.960 [24.38]	M12	55 [75]
2.5MT [5.5 KLB]	ST03C-SS-2.5MT	3.900 [99.06]	.550 [13.97]	3.000 [76.20]	1.093 [27.76]	.960 [24.38]	M20 X 1.5	332 [450]
5MT [11 KLB]	ST03C-SS-5MT	3.900 [99.06]	.723 [18.37]	2.940 [74.68]	1.343 [34.12]	1.210 [30.74]	M20 X 1.5	332 [450]
7.5MT [16.5 KLB]	ST03C-SS-7.5MT	5.500 [139.7]	1.082 [27.5]	3.440 [87.38]	1.592 [40.46]	1.460 [37.08]	M24 X 2	553 [750]
10MT [22 KLB]	ST03C-SS-10MT	7.000 [177.8]	1.571 [39.9]	4.440 [112.78]	1.823 [46.31]	1.690 [42.93]	M30 X 2	1069 [1450]

TOLERANCES: ±0.015 [0.38] UNLESS OTHERWISE STATED



WARNING: NEVER cut load sensor cable



All information and drawings on these pages are subject to change without notice. Consult website for latest specifications.

World Headquarters:

10075 Mesa Rim Road
 San Diego, CA 92121
 tel. +1-858-278-2900
 tel. 800-821-5831

www.hardysolutions.com
 hardyinfo@hardysolutions.com

