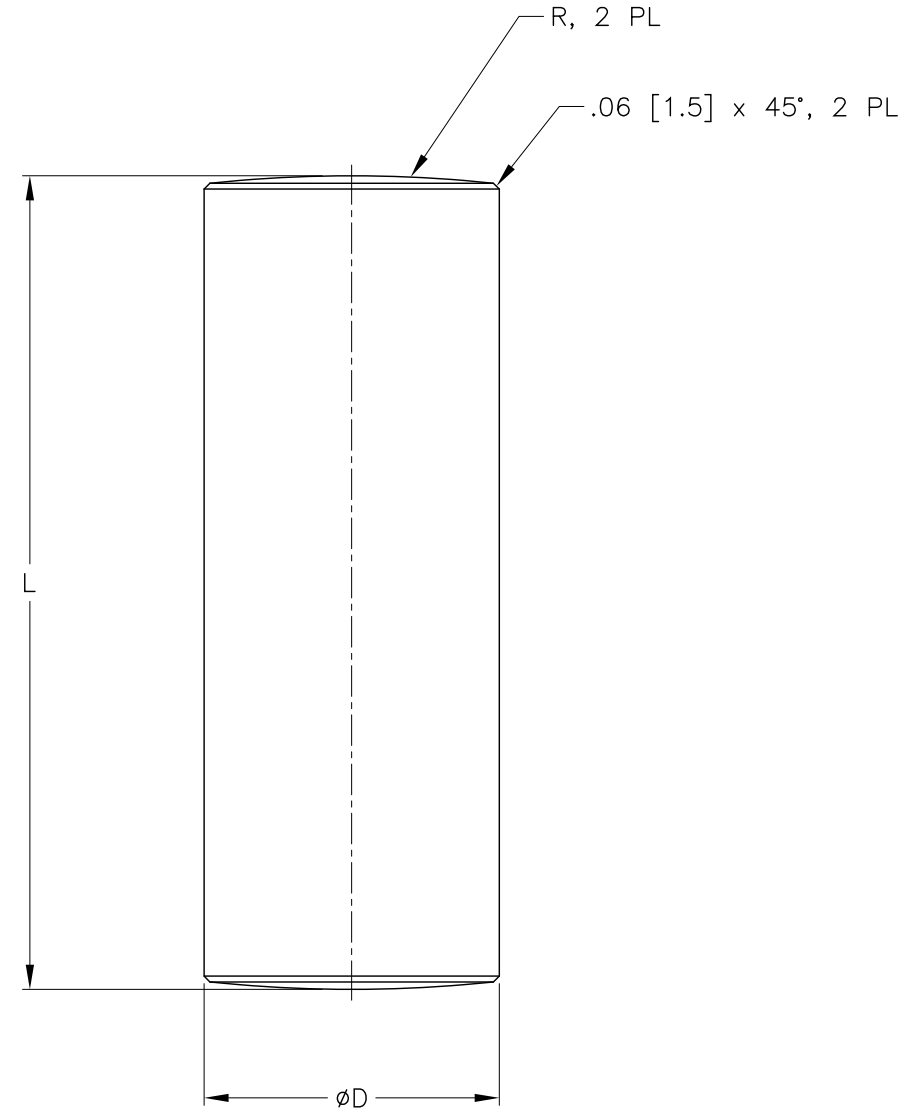


DIMENSIONS – INCHES & [mm]

MODEL NUMBER DUMMY LOAD CELL	ASSOCIATED LOAD SENSOR	CAPACITY LBS [T]	ØD	L	R
HI DLC-RCH03-66KLB-43	HI RCH03-66K	66 KLB [30T]	1.54 [39.0]	5.51 [140.0]	7.87 [200.0]
HI DLC-RCH03-88KLB-43	HI RCH03-88K	88 KLB [40T]	1.54 [39.0]	5.91 [150.0]	7.09 [180.0]
HI DLC-RCH03-110KLB-43	HI RCH03-110K	110 KLB [50T]	1.73 [44.0]	7.01 [178.0]	11.02 [280.0]
HI DLC-RCH03-220KLB-43	HI RCH03-220K	220 KLB [100T]	2.44 [62.0]	7.01 [178.0]	11.81 [300.0]
HI DLC-RCH03-330KLB-43	HI RCH03-330K	330 KLB [150T]	3.00 [76.2]	8.27 [210.0]	13.78 [350.0]
HI DLC-RCH03-660KLB-43	HI RCH03-660K	660 KLB [300T]	3.94 [100.0]	11.02 [280.0]	21.65 [550.0]

REV.	ECO/DDC	DESCRIPTION	DATE	DRAFT	CHECK	APV'D
A	----	RELEASED.	12-08-14	V.J.C.	N.H.S.	E.J.



2. DUMMY LOAD CELL IS CONSTRUCTED FROM 17-4PH STAINLESS STEEL.

1. THIS DRAWING IS SUBJECT TO CHANGE WITHOUT NOTICE.

NOTES: UNLESS OTHERWISE SPECIFIED

PROPRIETARY NOTICE
ALL DATA AND INFORMATION CONTAINED IN OR DISCLOSED BY THIS DOCUMENT IS CONFIDENTIAL AND PROPRIETARY INFORMATION OF HARDY PROCESS SOLUTIONS INC. AND ALL RIGHTS THEREIN ARE EXPRESSLY RESERVED. BY ACCEPTING THIS MATERIAL THE RECIPIENT AGREES THAT THIS MATERIAL AND THE INFORMATION CONTAINED THEREIN IS HELD IN CONFIDENCE AND IN TRUST AND SHALL NOT BE USED, COPIED, REPRODUCED IN WHOLE OR IN PART, NOR ITS CONTENTS REVEALED IN ANY MANNER TO OTHERS, EXCEPT TO MEET THE SPECIFIC PURPOSE FOR WHICH IT WAS DELIVERED.

ITEM	QTY	PART NUMBER	DESCRIPTION	COMMENTS
0588-0171 OUTLINE DRAWING, DUMMY LOAD CELL, HI DLC-RCH03 SERIES				
PARTS LIST				
UNLESS OTHERWISE SPECIFIED DIMENSIONS ARE IN INCH [MM]		CONTRACT NO.		
TOLERANCES ARE:		APPROVALS		
FRACTIONS: N/A		DRAWN		
DECIMALS: .XX = ±.03 [.8]		V. CHULA		
.XXX = ±.010 [.25]		DATE		
ANGLES: ±0°, 30'		12-04-14		
MATERIAL		CHECKED		
		N. SCHERRER		
		DATE		
		12-05-14		
		APPROVED		
		E. JAMES		
		DATE		
		12-08-14		
FINISH		ISSUED		
		V. CHULA		
		DATE		
		12-08-14		
		PRODUCTION		
		DATE		
DO NOT SCALE DRAWING				
		TITLE		
		OUTLINE DRAWING, DUMMY LOAD CELL, HI DLC-RCH03 SERIES		
		DRAWING NO.		
		0588-0171		
		REV.		
		A		
		FILE NAME: 588171A1.DWG		
		SCALE: NONE		
		SHEET 1 OF 1		

