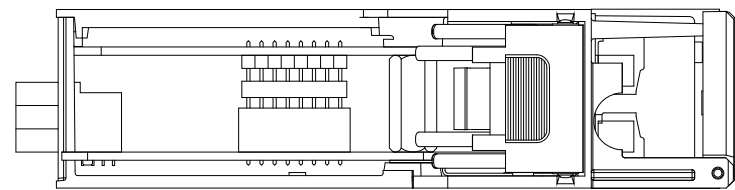
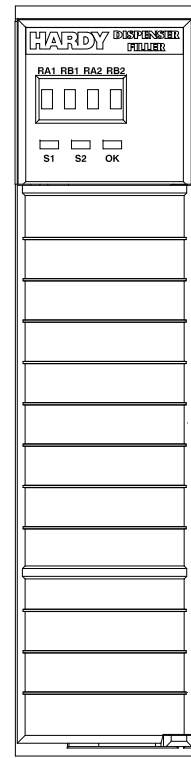
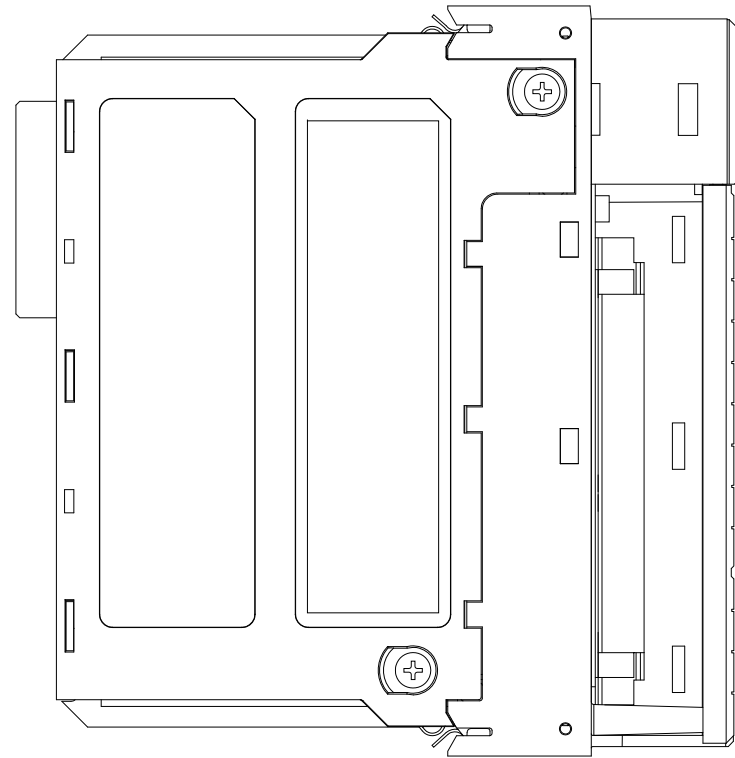


REV.	ECO/DDC	DESCRIPTION	DATE	DRAFT	CHECK	APV'D
A	----	RELEASED.	01-17-12	V.J.C.	L.E.G.	V.J.C.

HI 1756-2DF DUAL CHANNEL FILLER/DISPENSER MODULE



3. SEE SHEET 3 FOR DISPENSER/FILLER MODULE RELAY INTERFACE CONNECTOR PIN DESIGNATIONS.
2. SEE SHEET 2 FOR DISPENSER/FILLER MODULE WEIGH CHANNEL INTERFACE CONNECTOR PIN DESIGNATIONS.
1. SEE 0596-0322-01 USER'S GUIDE FOR ADDITIONAL INFORMATION.

NOTES: UNLESS OTHERWISE SPECIFIED

PROPRIETARY NOTICE
 ALL DATA AND INFORMATION CONTAINED IN OR DISCLOSED BY THIS DOCUMENT IS CONFIDENTIAL AND PROPRIETARY INFORMATION OF HARDY PROCESS SOLUTIONS INC. AND ALL RIGHTS THEREIN ARE EXPRESSLY RESERVED. BY ACCEPTING THIS MATERIAL THE RECIPIENT AGREES THAT THIS MATERIAL AND THE INFORMATION CONTAINED THEREIN IS HELD IN CONFIDENCE AND IN TRUST AND SHALL NOT BE USED, COPIED, REPRODUCED IN WHOLE OR IN PART, NOR ITS CONTENTS REVEALED IN ANY MANNER TO OTHERS, EXCEPT TO MEET THE SPECIFIC PURPOSE FOR WHICH IT WAS DELIVERED.

ITEM	QTY	PART NUMBER	DESCRIPTION	COMMENTS
		0584-0073	I/I DIAGRAM, DISPENSER/FILLER MODULE, HI 1756-2DF, DUAL CHANNEL	
PARTS LIST				
UNLESS OTHERWISE SPECIFIED DIMENSIONS ARE IN INCHES TOLERANCES ARE: FRACTIONS: N/A DECIMALS: .XX = ±.03 .XXX = ±.010 ANGLES: ±0°, 30'		CONTRACT NO.		HARDY PROCESS SOLUTIONS
MATERIAL		APPROVALS		
		DRAWN V. CHULA	DATE 01-13-12	
FINISH		CHECKED L. GUIRIBA	DATE 01-17-12	
DO NOT SCALE DRAWING		APPROVED V. CHULA	DATE 01-17-12	
		ISSUED V. CHULA	DATE 01-17-12	SIZE D
		PRODUCTION	DATE	FSCM 21316
				DRAWING NO. 0584-0073
				REV. A
				FILE NAME: 584073A1.DWG
				SCALE: NONE
				SHEET 1 OF 3

NOTES:

1. IF CONDUIT IS USED, DO NOT RUN LOAD CELL CABLE PARALLEL TO, OR IN SAME CONDUIT WITH, POWER WIRING, RELAY CABLE OR OTHER HIGH ENERGY CABLES.

2. FACTORY INSTALLED JUMPERS TO REMAIN IN PLACE ONLY FOR FOUR WIRE NON C2 LOAD CELL CONNECTION. JUMPERS TO BE REMOVED FOR SIX WIRE NON C2 OR EIGHT WIRE C2 LOAD CELL CONNECTIONS. EXCITATION AND SENSE WIRES TO BE CONNECTED TOGETHER IN JUNCTION BOX.

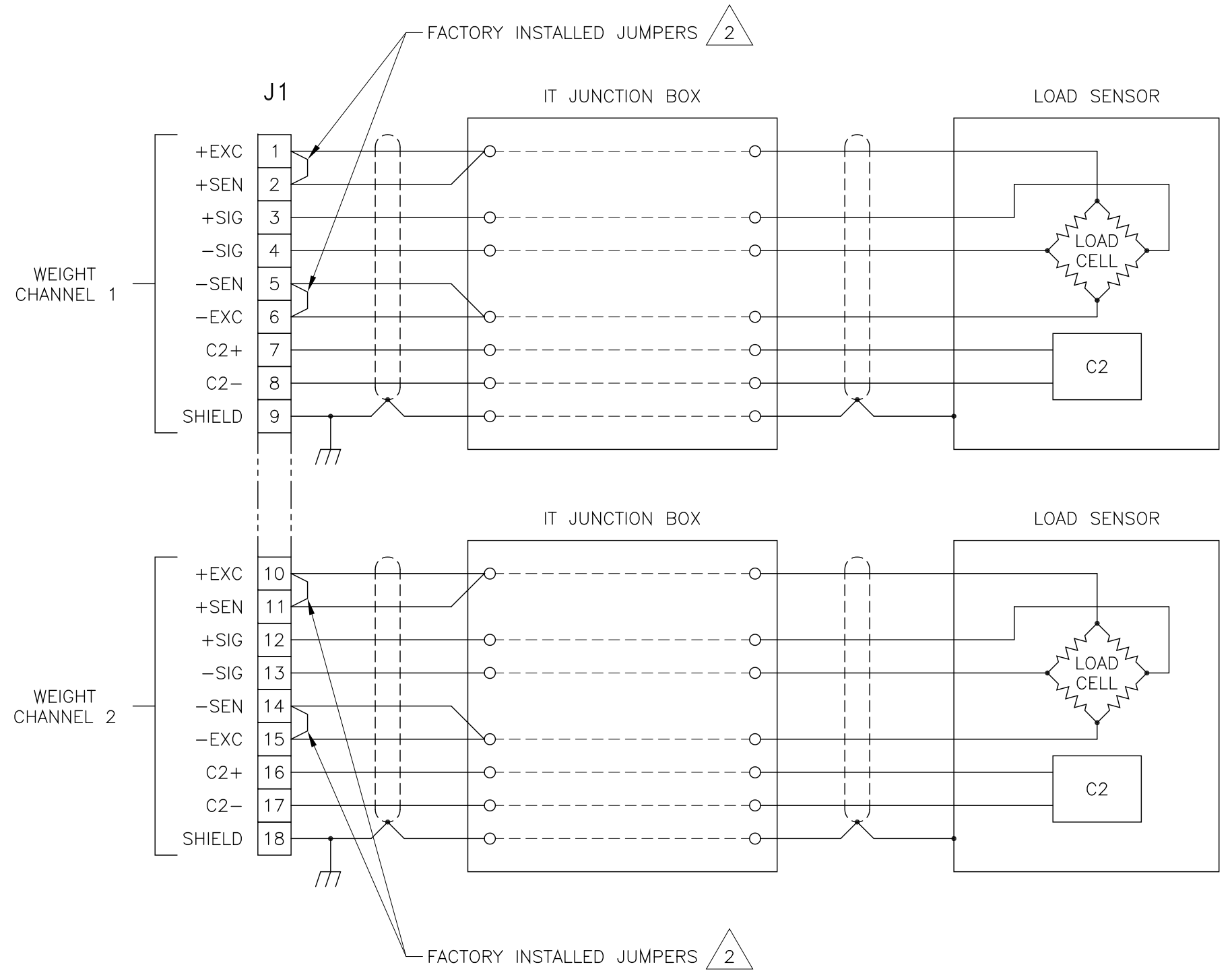
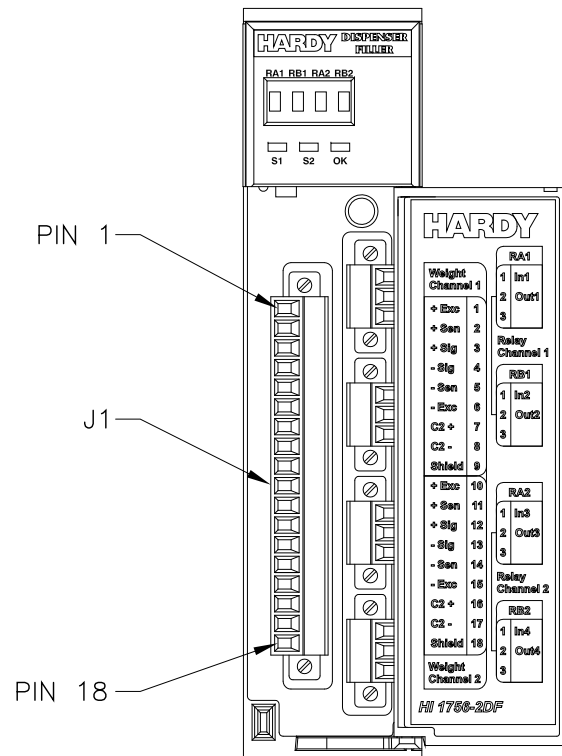
3. REQUIRED LOAD CELL CABLE FOR C2 SECOND GENERATION CALIBRATION SYSTEM AND INTEGRATED TECHNICIAN: HARDY PROCESS SOLUTIONS P/N 6020-0001.

4. SEE 0596-0322-01 USER'S GUIDE FOR ADDITIONAL INFORMATION ON LOAD CELL CONNECTIONS.

5. TERMINAL BLOCK WIRE SIZE RANGE: 22 AWG MIN / 16 AWG MAX. WIRE TIGHTENING TORQUE: 2 LB-IN MINIMUM / 4 LB-IN MAXIMUM.

6. FOR CLARITY, ONLY TWO LOAD SENSOR CONNECTIONS ARE SHOWN.

HI 1756-2DF DUAL CHANNEL FILLER/DISPENSER MODULE WEIGHT CHANNEL CONNECTOR WIRING



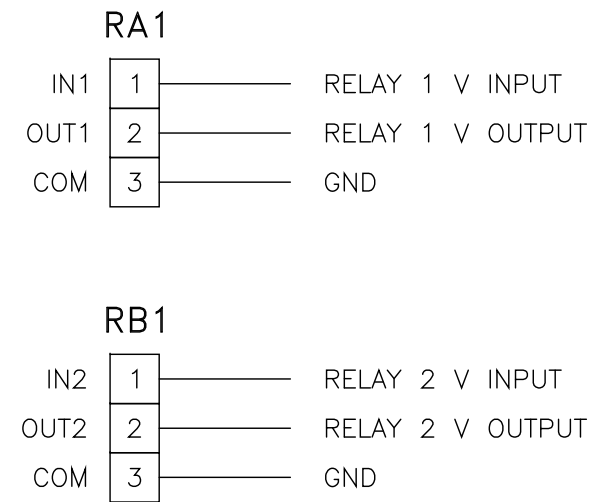
HARDY PROCESS SOLUTIONS			
TITLE I/I DIAGRAM, DISPENSER/FILLER MODULE, HI 1756-2DF, DUAL CHANNEL			
SIZE	FSCM	DRAWING NO.	REV.
D	21316	0584-0073	A
FILE NAME: 584073A1.DWG		SCALE: NONE	SHEET 2 OF 3

NOTES:

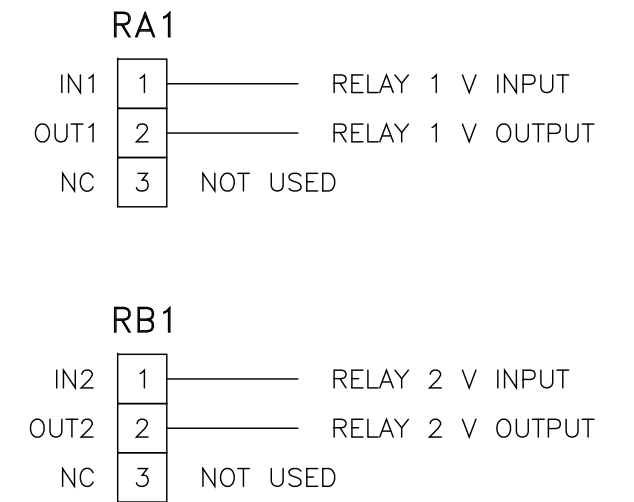
1. IF CONDUIT IS USED, DO NOT RUN RELAY CABLES PARALLEL TO, OR IN SAME CONDUIT WITH LOAD CELL CABLES.
2. AC RELAY OPERATION RATINGS: 110–240 VAC, .5 AMP LOAD, 3–12 VDC CONTROL
SINGLE CYCLE SURGE: 115/120 (50/60Hz) AMP PEAK
3. DC RELAY OPERATION RATINGS: 0–24 VDC, 3 AMP LOAD, 3–12 VDC CONTROL
10 MILLISECOND SURGE: 9 AMP PEAK
4. RELAY TYPES: SOLID STATE.
5. SEE 0596–0322–01 USER'S GUIDE FOR ADDITIONAL INFORMATION ON RELAY CONNECTIONS, MAXIMUM LOAD CURRENT AND TEMPERATURE RANGE.
6. TERMINAL BLOCK WIRE SIZE RANGE: 18 AWG MIN / 16 AWG MAX.
WIRE TIGHTENING TORQUE: 2 LB-IN MINIMUM / 4 LB-IN MAXIMUM.

HI 1756–2DF DUAL CHANNEL FILLER/DISPENSER MODULE RELAY CONNECTOR WIRING

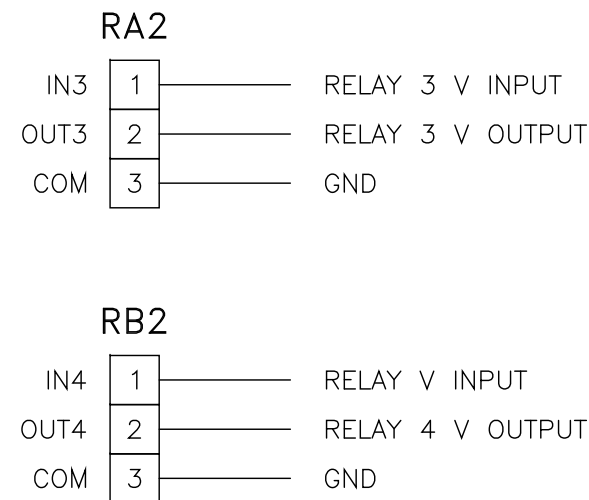
DC RELAYS – CHANNEL 1
[GREEN CONNECTORS]



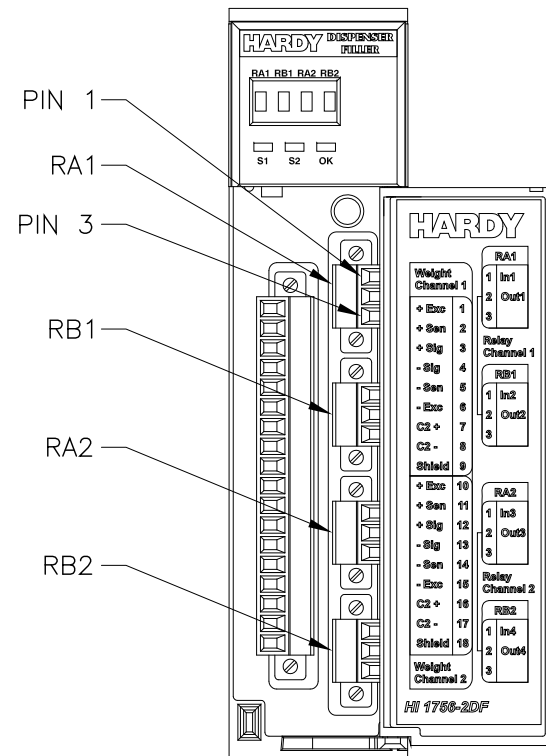
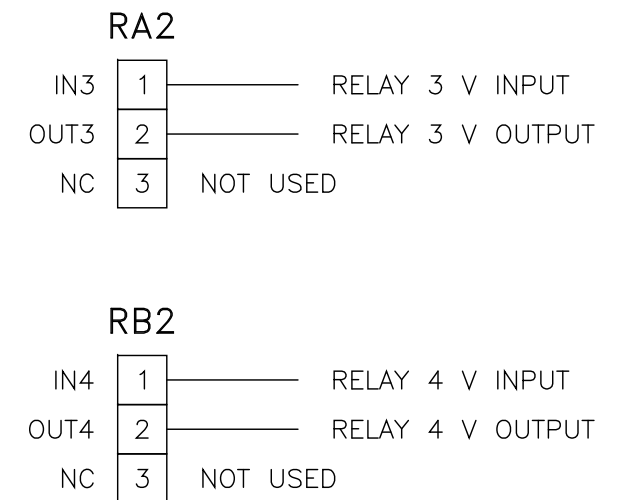
AC RELAYS – CHANNEL 1
[BLACK CONNECTORS]



DC RELAYS – CHANNEL 2
[GREEN CONNECTORS]



AC RELAYS – CHANNEL 2
[BLACK CONNECTORS]



HARDY PROCESS SOLUTIONS			
TITLE I/I DIAGRAM, DISPENSER/FILLER MODULE, HI 1756–2DF, DUAL CHANNEL			
SIZE	FSCM	DRAWING NO.	REV.
D	21316	0584–0073	A
FILE NAME: 584073A1.DWG		SCALE: NONE	SHEET 3 OF 3