
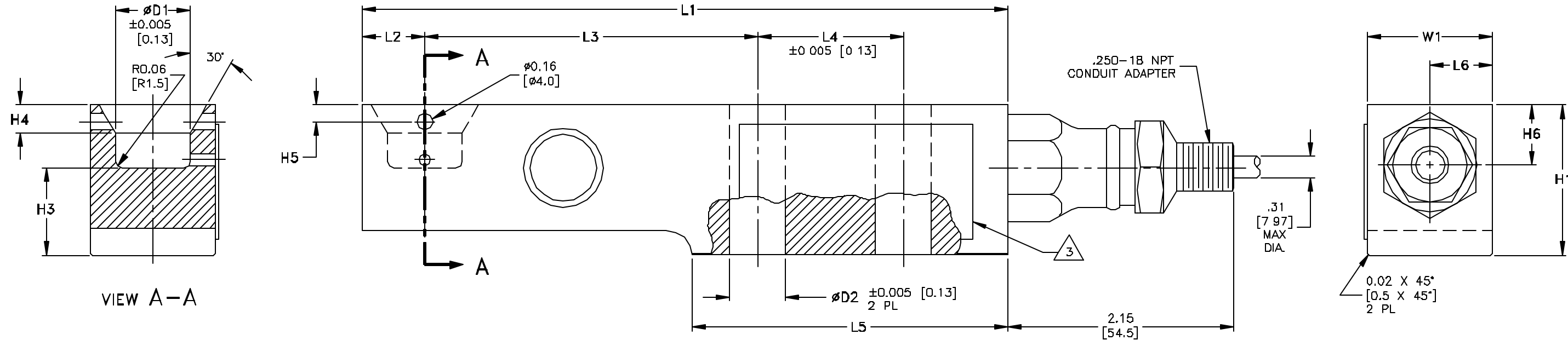


REV.	ECD/DDC	DESCRIPTION	DATE	DRAFT	CHECK	APV'D
A	08107	RELEASED	07-09-01	L.B.O.	S.N.	V.J.C.

**DIMENSIONS- INCHES & [mm]**

TOLERANCES: ±0.010 [0.25] UNLESS OTHERWISE STATED

CAPACITY LBS [kN]	L1	L2	L3	L4	L5	L6	H1	H2	H3	H4	H5	H6	W1	∅D1	∅D2	BOLT 	TORQUE
1.125K [5] 2.25K [10] 4.5K [20]	6.10 [155.0]	0.59 [15.0]	3.15 [80.0]	1.38 [35.0]	2.98 [75.7]	0.59 [15.0]	1.42 [36.0]	0.23 [5.8]	0.83 [21.0]	0.27 [6.9]	0.16 [4.1]	0.59 [15.0]	1.181±0.003 [30.0±.08]	0.709 [18.0]	0.53 [13.5]	500-20 UNC GRADE 5 [M12 B.8]	65 FT LBS [90Nm]
11.25K [50]	7.48 [190.0]	0.83 [21.0]	4.13 [105.0]	1.57 [39.9]	3.66 [93.0]	0.66 [16.8]	1.93 [49.0]	0.31 [7.9]	1.12 [28.5]	0.23 [5.8]	0.31 [7.9]	0.89 [22.5]	1.693±0.003 [43.0±.08]	0.984 [25.0]	0.85 [21.5]	.750-10 UNC GRADE 5 [M20 B.8]	295 FT LBS [400Nm]
22.5K [100]	9.65 [245.0]	1.19 [30.2]	5.31 [134.9]	1.97 [50.0]	4.72 [120.0]	0.73 [18.5]	2.87 [73.0]	0.50 [12.7]	1.66 [42.2]	0.39 [10.0]	N/A	1.22 [31.0]	2.362±0.005 [60.0±0.13]	1.181 [30.0]	1.06 [27.0]	1.000-8 UNC GRADE 5 [M24 B.8]	515 FT LBS [700Nm]



 USE 2 EACH TO MOUNT LOAD SENSOR.

7. THIS DRAWING IS SUBJECT TO CHANGE WITHOUT NOTICE.

6. CABLE IS 6 CONDUCTOR, SHIELDED AND 20 FT. IN LENGTH. CABLE SHIELD IS FLOATING.

5. C2 WIRE COLOR CODE FLAG LABEL, PN 0530-0594, IS FOUND APPROX. 10 IN. FROM END OF CABLE.

- EXCITATION + RED
- EXCITATION - BLACK
- SIGNAL + GREEN
- SIGNAL - WHITE
- C2 + GRAY
- C2 - VIOLET
- SHIELD YELLOW

4. CABLE WIRE ENDS ARE STRIPPED BACK 0.5 IN. AND TINNED. CABLE JACKET IS STRIPPED BACK APPROX. 5 IN.

 LOCATION OF SERIAL NUMBER LABEL, PN 0530-0345-XX.

2. MATERIAL: SENSOR- STAINLESS STEEL 17 4PH (1 4548). FITTINGS- STAINLESS STEEL 316.

1. RATED OUTPUT: 2mV/V ±0.002.

**NOTES: UNLESS OTHERWISE SPECIFIED**

**PROPRIETARY NOTICE**  
ALL DATA AND INFORMATION CONTAINED IN OR DISCLOSED BY THIS DOCUMENT IS CONFIDENTIAL AND PROPRIETARY INFORMATION OF HARDY INSTRUMENTS INC. AND ALL RIGHTS THEREIN ARE EXPRESSLY RESERVED. BY ACCEPTING THIS MATERIAL THE RECIPIENT AGREES THAT THIS MATERIAL AND THE INFORMATION CONTAINED THEREIN IS HELD IN CONFIDENCE AND IN TRUST AND SHALL NOT BE USED, COPIED, REPRODUCED IN WHOLE OR IN PART, NOR ITS CONTENTS REVEALED IN ANY MANNER TO OTHERS, EXCEPT TO MEET THE SPECIFIC PURPOSE FOR WHICH IT WAS DELIVERED.

CAPACITY LBS [kN]	MODEL NUMBER	PART NUMBER
1.125K [5]	HI SBH04-1.125K	0554-0010-01
2.25K [10]	HI SBH04-2.25K	0554-0010-02
4.5K [20]	HI SBH04-4.5K	0554-0010-03
11.25K [50]	HI SBH04-11.25K	0554-0010-04
22.5K [100]	HI SBH04-22.5K	0554-0010-05

ITEM	QTY	PART NUMBER	DESCRIPTION	COMMENTS
0588-0084 OUTLINE DRAWING, LOAD SENSOR, HI SBH04 SERIES				
PARTS LIST				
UNLESS OTHERWISE SPECIFIED DIMENSIONS ARE IN INCHES		CONTRACT NO.		
TOLERANCES ARE:		APPROVALS		
FRACTIONS: N/A		DRAWN R. BILEK DATE 08-10-99		
DECIMALS: .XX AND .XXX = ± 0.010		CHECKED L. OFTEDAHL DATE 08-02-99		
ANGLES: N/A		APPROVED T. KOPCZYNSKI DATE 08-20-99		
MATERIAL		ISSUED K. McNULTY DATE 08-21-99		
FINISH		PRODUCTION DATE		
DO NOT SCALE DRAWING		TITLE		
		<b>HARDY INSTRUMENTS</b>		
		OUTLINE DRAWING, LOAD SENSOR, HI SBH04 SERIES		
SIZE	FSCM	DRAWING NO	REV.	
D	21316	0588-0084	A	
FILE NAME	588084A1.DWG	SCALE	SHEET 1 OF 1	
	NONE			