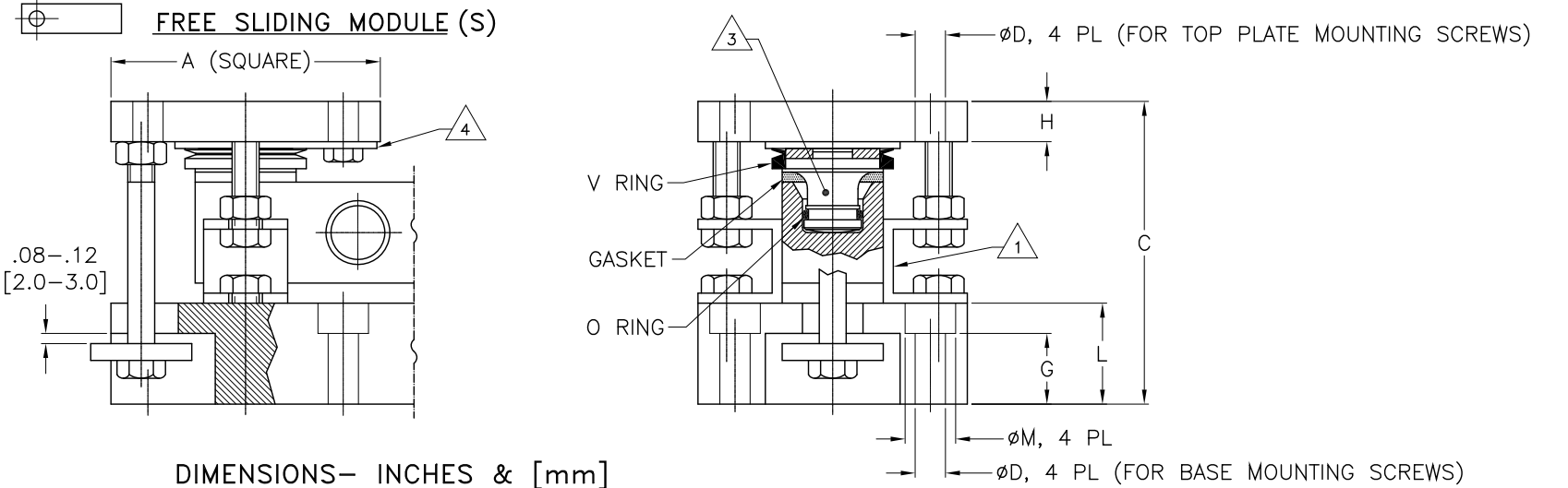
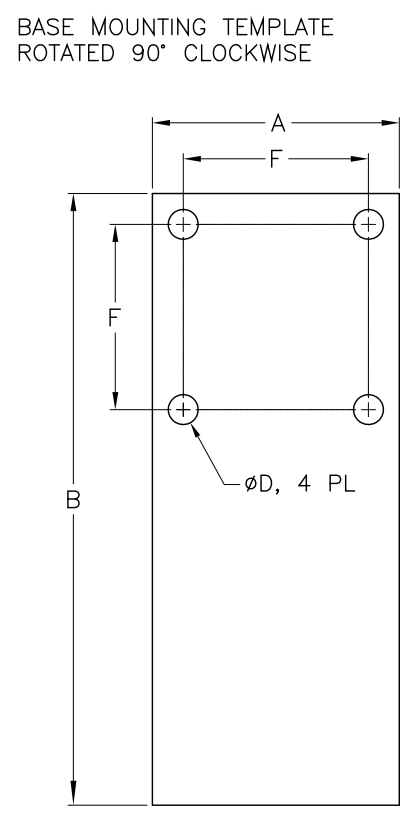
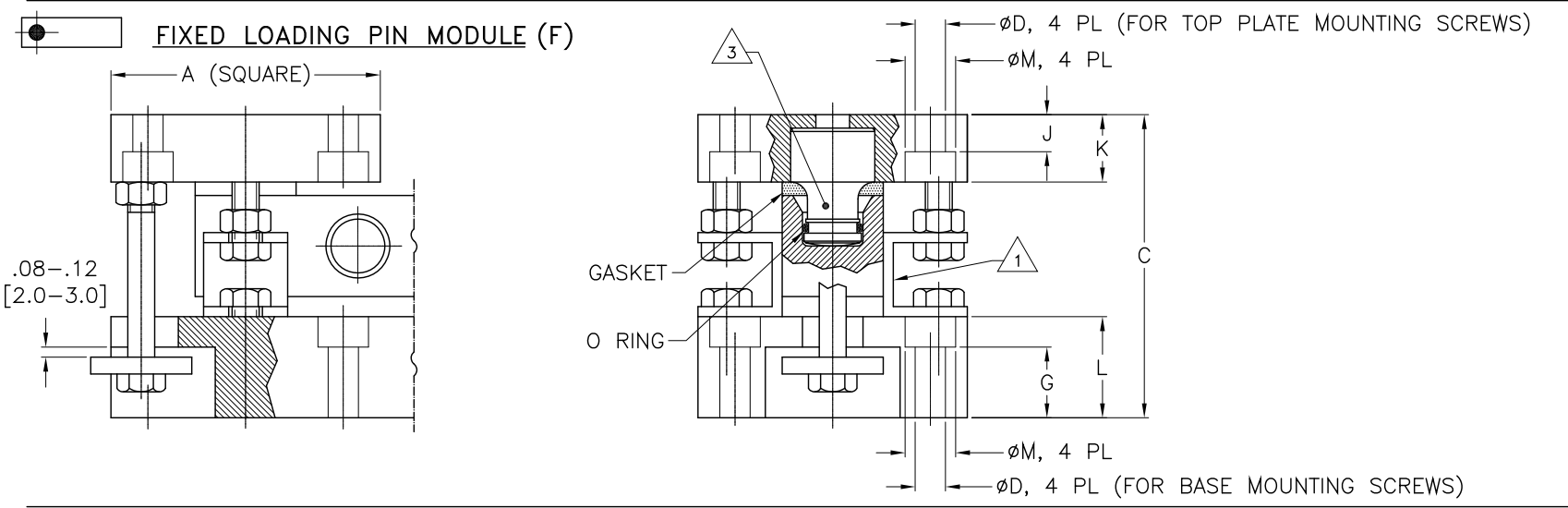
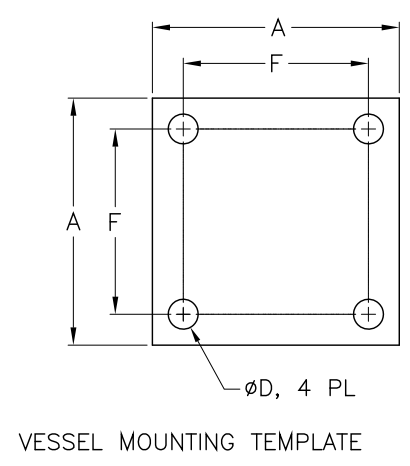
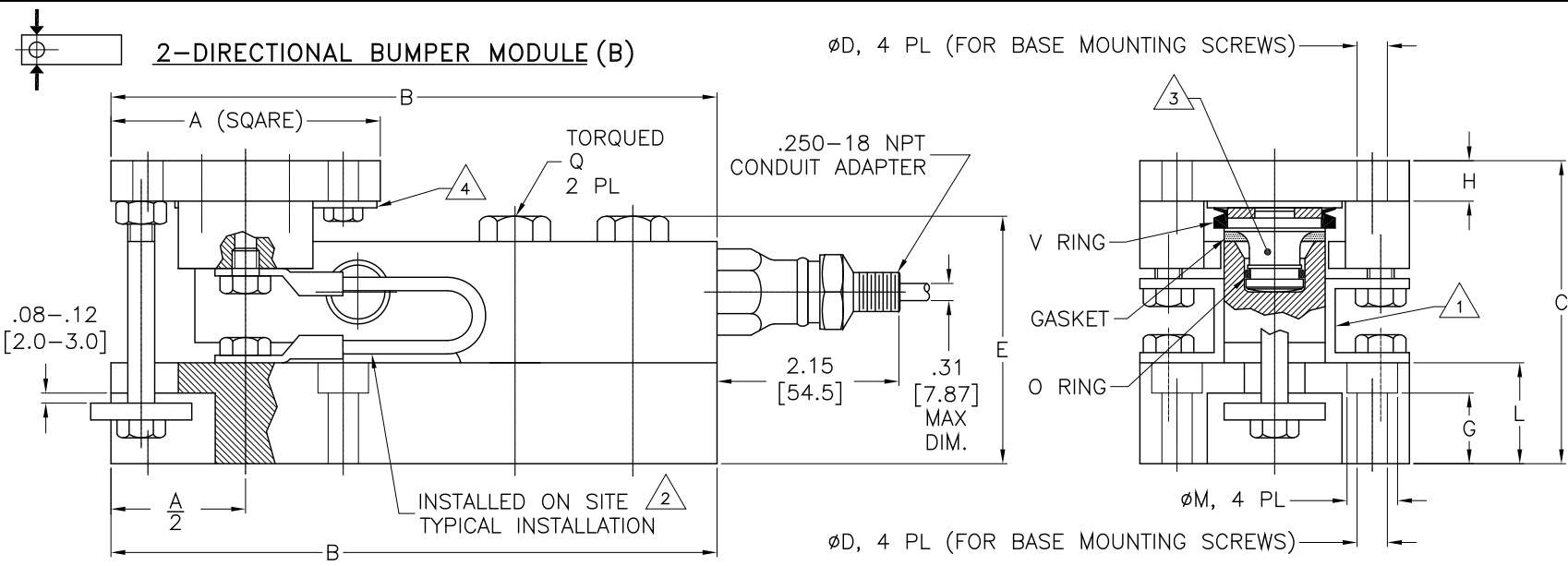


REV.	ECO/DDC	DESCRIPTION	DATE	DRAFT	CHECK	APV'D
A	----	RELEASED.	09-30-14	V.J.C.	N.H.S.	E.J.



CAPACITY LBS [KN]	MODEL NUMBER PLATED ALLOY STEEL	MODEL NUMBER STAINLESS STEEL	MOUNT STYLE	LOAD SENSOR MODEL NUMBER
1125 LB [5KN]	HI LPS05-1125-45B	HI LPS05-1125-43B	BUMPER	HI SB05-1125
	HI LPS05-1125-45F	HI LPS05-1125-43F	FIXED	
	HI LPS05-1125-45S	HI LPS05-1125-43S	SLIDER	
2.25 KLB [10KN]	HI LPS05-2.25K-45B	HI LPS05-2.25K-43B	BUMPER	HI SB05-2.25K
	HI LPS05-2.25K-45F	HI LPS05-2.25K-43F	FIXED	
	HI LPS05-2.25K-45S	HI LPS05-2.25K-43S	SLIDER	
4.5 KLB [20KN]	HI LPS05-4.5K-45B	HI LPS05-4.5K-43B	BUMPER	HI SB05-4.5K
	HI LPS05-4.5K-45F	HI LPS05-4.5K-43F	FIXED	
	HI LPS05-4.5K-45S	HI LPS05-4.5K-43S	SLIDER	
11.25 KLB [50KN]	HI LPS05-11.25K-45B	HI LPS05-11.25K-43B	BUMPER	HI SB05-11.25K
	HI LPS05-11.25K-45F	HI LPS05-11.25K-43F	FIXED	
	HI LPS05-11.25K-45S	HI LPS05-11.25K-43S	SLIDER	
22.5 KLB [100KN]	HI LPS05-22.5K-45B	HI LPS05-22.5K-43B	BUMPER	HI SB05-22.5K
	HI LPS05-22.5K-45F	HI LPS05-22.5K-43F	FIXED	
	HI LPS05-22.5K-45S	HI LPS05-22.5K-43S	SLIDER	

12. SEE SHEET 2 FOR ULTIMATE FORCE DATA.
11. THIS DRAWING IS SUBJECT TO CHANGE WITHOUT NOTICE.
10. CABLE WIRE ENDS ARE STRIPPED BACK 0.5 INCHES [12.7MM] AND TINNED. CABLE JACKET IS STRIPPED BACK APPROXIMATELY 5 INCHES [127MM].
9. LOAD SENSOR IS STAINLESS STEEL 17.4PH (1.4548).
8. CABLE IS 6 CONDUCTOR, SHIELDED AND 20 FEET [6M] IN LENGTH. CABLE SHIELD IS FLOATING.
7. DO NOT WELD AFTER LOAD SENSOR IS INSTALLED.
6. WEIGHT EXCLUDES PACKAGING.
5. C2 WIRE COLOR CODE FLAG LABEL IS FOUND APPROXIMATELY 10 INCHES [254MM] FROM END OF CABLE.

EXCITATION +	RED
EXCITATION -	BLACK
SIGNAL +	GREEN
SIGNAL -	WHITE
C2 +	GRAY
C2 -	VIOLET
SHIELD	YELLOW

- 4 POLISHED STAINLESS STEEL LOAD PLATE.
- 3 LOADING PINS.
- 2 INSTALL GROUND STRAP USING LOWER BOLTS FROM THE SHIPPING BRACKETS. ASSEMBLE GROUND STRAP ONTO ONE SIDE OF CELL ONLY USING A SET OF SHIPPING BRACKET MOUNTING HOLES FROM ONE SIDE ONLY. THIS WILL CONNECT GROUND FROM THE BASE TO THE TOP PLATE. DO NOT CROSS THE STRAP OVER THE CELL.
- 1 SHIPPING BRACKET, 2 PL, TO BE REMOVED FOR INSTALLATION. DISCARD UPPER BOLTS, SAVING LOWER BOLTS FOR INSTALLATION OF GROUND STRAP.

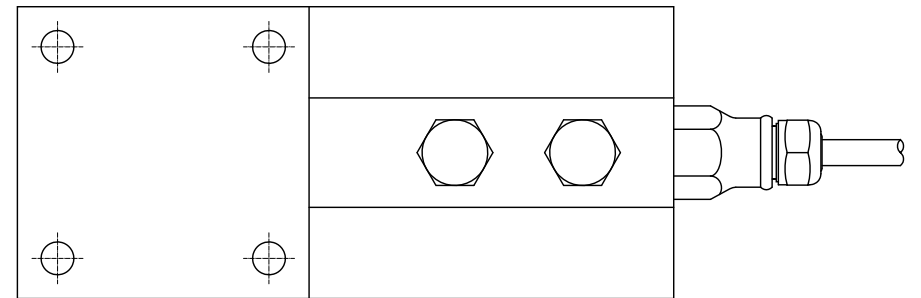
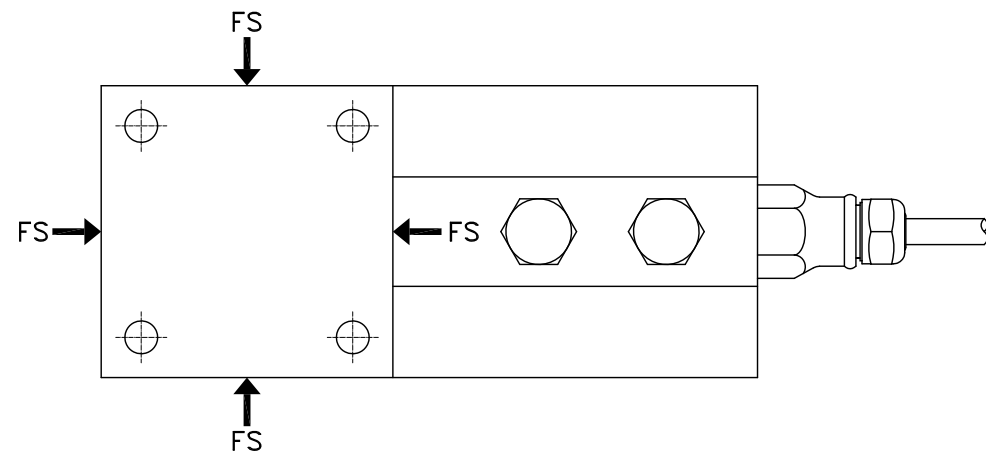
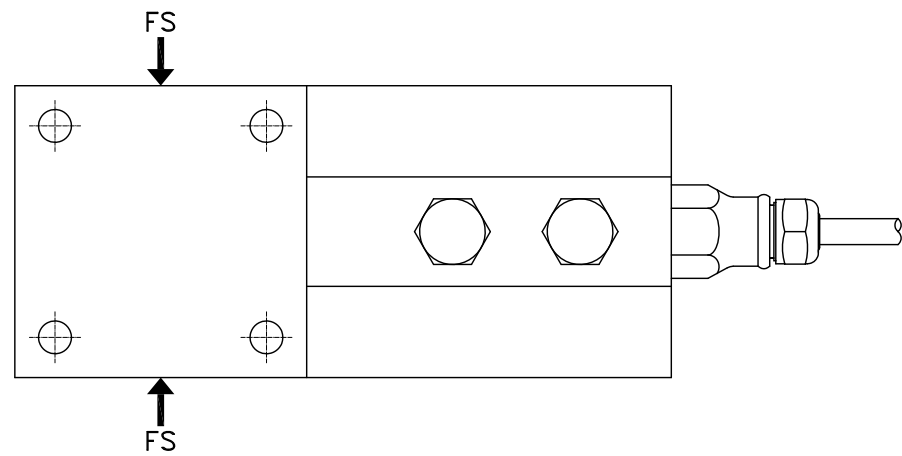
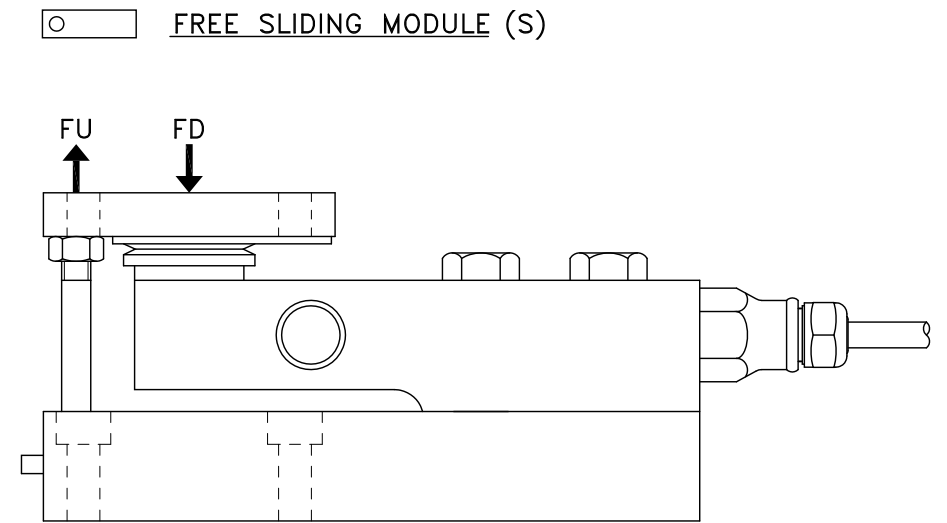
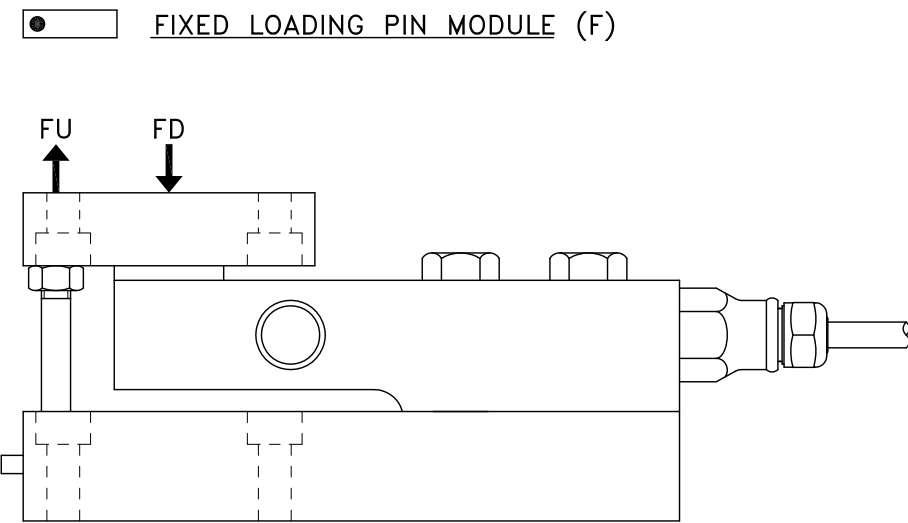
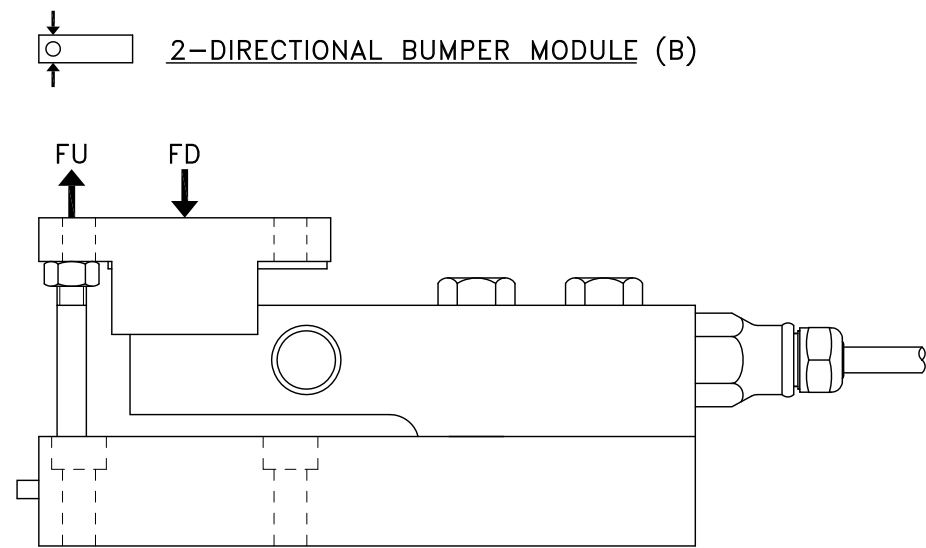
NOTES: UNLESS OTHERWISE SPECIFIED

DIMENSIONS- INCHES & [mm]

CAPACITY LBS [KN]	A	B	C	ØD	E	F	G	H	J	K	L	ØM	Q FT LBS	MOUNT SCREW	WEIGHT LBS
1.125K, 2.25K, 4.5K [5] [10] [20]	3.15 [80.0]	7.09 [180.0]	3.54 [90.0]	0.354 [9.00]	2.91 [74.0]	2.28 [58.0]	0.83 [21.0]	0.47 [12.0]	0.43 [11.0]	0.79 [20.0]	1.18 [30.0]	0.591 [15.00]	65 [70Nm]	.312	12
11.25K [50]	3.94 [100.0]	8.66 [220.0]	4.72 [120.0]	0.433 [11.00]	4.02 [102.0]	2.99 [76.0]	1.14 [29.0]	0.59 [15.0]	0.55 [14.0]	0.98 [25.0]	1.57 [40.0]	0.709 [18.00]	295 [400Nm]	.375	24
22.5K [100]	4.72 [120.0]	10.83 [275.0]	6.69 [170.0]	0.571 [14.50]	5.83 [148.0]	3.54 [90.0]	1.85 [47.0]	0.79 [20.0]	0.67 [17.0]	1.18 [30.0]	2.36 [60.0]	0.866 [22.00]	515 [700Nm]	.500	56.2

PROPRIETARY NOTICE
ALL DATA AND INFORMATION CONTAINED IN OR DISCLOSED BY THIS DOCUMENT IS CONFIDENTIAL AND PROPRIETARY INFORMATION OF HARDY PROCESS SOLUTIONS INC. AND ALL RIGHTS THEREIN ARE EXPRESSLY RESERVED. BY ACCEPTING THIS MATERIAL THE RECIPIENT AGREES THAT THIS MATERIAL AND THE INFORMATION CONTAINED THEREIN IS HELD IN CONFIDENCE AND IN TRUST AND SHALL NOT BE USED, COPIED, REPRODUCED IN WHOLE OR IN PART, NOR ITS CONTENTS REVEALED IN ANY MANNER TO OTHERS, EXCEPT TO MEET THE SPECIFIC PURPOSE FOR WHICH IT WAS DELIVERED.

0588-0158		OUTLINE DRAWING, LOAD POINT, HI LPS05 SERIES		
ITEM	QTY	PART NUMBER	DESCRIPTION	COMMENTS
PARTS LIST				
UNLESS OTHERWISE SPECIFIED DIMENSIONS ARE IN INCH [MM] FIRST ANGLE PROJECTION		CONTRACT NO.		
		APPROVALS		
		DRAWN V. CHULA	DATE 09-30-14	
		CHECKED N. SCHERRER	DATE 09-30-14	
		APPROVED E. JAMES	DATE 09-30-14	
MATERIAL	ISSUED V. CHULA	DATE 09-30-14		
FINISH	PRODUCTION	DATE		
DO NOT SCALE DRAWING		SIZE D	FSCM 21316	DRAWING NO. 0588-0158
		FILE NAME: 588158A1.DWG	SCALE: NONE	SHEET 1 OF 2



FD = ULTIMATE FORCE IN DOWNWARD VERTICAL DIRECTION [= 300% OF LOAD SENSOR CAPACITY]

FS = ULTIMATE SIDE FORCE IN HORIZONTAL DIRECTION [50% OF LOAD SENSOR CAPACITY]

FU = ULTIMATE FORCE IN UPWARD DIRECTION

CAPACITY	MODEL NUMBER	ULTIMATE FORCES					
		FD		FS		FU	
		KLB	KN	KLB	KN	KLB	KN
1125 LBS	HI LPS05-1125-43 & 45F, B, S	3.37	15	0.56	2.5	6.6	29.2
2.25 KLB	HI LPS05-2.25K-43 & 45F, B, S	6.74	30	1.12	5		
4.5 KLB	HI LPS05-4.5K-43 & 45F, B, S	13.49	60	2.25	10		
11.25 KLB	HI LPS05-11.25K-43 & 45F, B, S	33.72	150	5.62	25	10.4	46.4
22.5 KLB	HI LPS05-22.5K-43 & 45F, B, S	67.44	300	11.24	50	15.2	67.4

HARDY
PROCESS SOLUTIONS

TITLE
OUTLINE DRAWING,
LOAD POINT, HI LPS05 SERIES

SIZE	FSCM	DRAWING NO.	REV.
D	21316	0588-0158	A
FILE NAME: 588158A1.DWG		SCALE: NONE	SHEET 2 OF 2

