

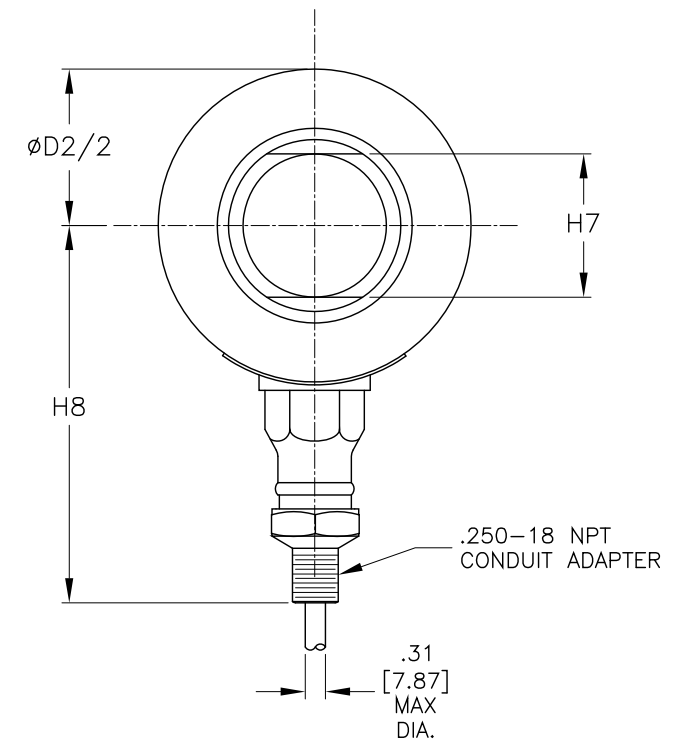
DIMENSIONS— INCHES [MM]

TOLERANCES: ±0.015 [0.4] UNLESS OTHERWISE STATED

REV.	ECO/DDC	DESCRIPTION	DATE	DRAFT	CHECK	APV'D
B	11888	REVISED PER ECN.	12-12-16	V.J.C.	L.E.G.	V.J.C.

MODEL NUMBER	CAPACITY LBS [T]	H1	H2	H3	H4	H5	H6	H7	H8	∅D1	∅D2	S MAX*	RF **	CABLE LENGTH FT [M]
HI RCH03-66K	66KLB [30T]	5.512 [140]	2.756 [70]	1.024 [26]	1.102 [28]	.512 [13]	.256 [6.5]	1.535 [39]	3.307 [84]	1.535 [39]	3.189 [81]	.413 [10.5]	7,644 LBS [34KN]	30FT [9.1M]
HI RCH03-88K	88KLB [40T]	5.906 [150]	2.953 [75]	1.220 [31]	1.299 [33]	.512 [13]	.461 [11.7]	1.535 [39]	3.307 [84]	1.535 [39]	3.189 [81]	.394 [10]	8,318 LBS [37KN]	30FT [9.1M]
HI RCH03-110K	110KLB [50T]	7.008 [178]	3.504 [89]	1.260 [32]	1.339 [34]	.669 [17]	.335 [8.5]	1.732 [44]	3.701 [94]	1.732 [44]	3.898 [99]	.354 [9]	11,465 LBS [51KN]	30FT [9.1M]
HI RCH03-220K	220KLB [100T]	7.008 [178]	3.504 [89]	1.516 [38.5]	1.516 [38.5]	.669 [17]	.472 [12]	2.441 [62]	3.693 [93.8]	2.441 [62]	4.740 [120.4]	.453 [11.5]	34,171 LBS [152KN]	50FT [15.2M]
HI RCH03-330K	330KLB [150T]	8.268 [210]	4.134 [105]	1.681 [42.7]	1.681 [42.7]	.811 [20.6]	.504 [12.8]	3.000 [76.2]	4.783 [121.5]	3.000 [76.2]	6.500 [165.1]	.571 [14.5]	53,954 LBS [240KN]	50FT [15.2M]
HI RCH03-660K	660KLB [300T]	11.024 [280]	5.512 [140]	2.201 [55.9]	2.201 [55.9]	.984 [25]	.846 [21.5]	3.937 [100]	4.783 [121.5]	3.937 [100]	6.500 [165.1]	.591 [15]	105,211 LBS [468KN]	50FT [15.2M]

(*) S MAX = MAXIMUM LATERAL DISPLACEMENT OF LOAD INTRODUCTION. RECOMMENDED GAP 0.118 TO 0.197 [3.0 TO 5.0].
 (**) RF = RESTORING FORCE AT S MAX AND E MAX.



8. LOAD SENSOR OPERATING TEMPERATURE RATING IS -40°C TO +80°C. USAGE OF LOAD SENSOR AT TEMPERATURES BELOW -40°C REQUIRES THAT THE LOAD SENSOR AND CABLE BE TEMPERATURE CONTROLLED.

7. LOAD SENSOR IS STAINLESS STEEL 17-4PH (1.4548).

6. CABLE IS SHIELDED, 6 CONDUCTOR. CABLE SHIELD IS FLOATING. SEE TABLE FOR CABLE LENGTHS.

5. LOAD SENSOR WIRE COLOR CODE FLAG LABEL IS LOCATED APPROXIMATELY 10 INCHES [254MM] FROM END OF CABLE.

- EXCITATION + RED
- EXCITATION - BLACK
- SIGNAL + GREEN
- SIGNAL - WHITE
- C2 + GRAY
- C2 - VIOLET
- SHIELD YELLOW

4. CABLE WIRE ENDS ARE STRIPPED BACK 0.5 INCHES [12.7MM] AND TINNED. CABLE JACKET IS STRIPPED BACK APPROXIMATELY 5 INCHES [127MM].

3 LOCATION OF MODEL/SERIAL NUMBER LABEL.

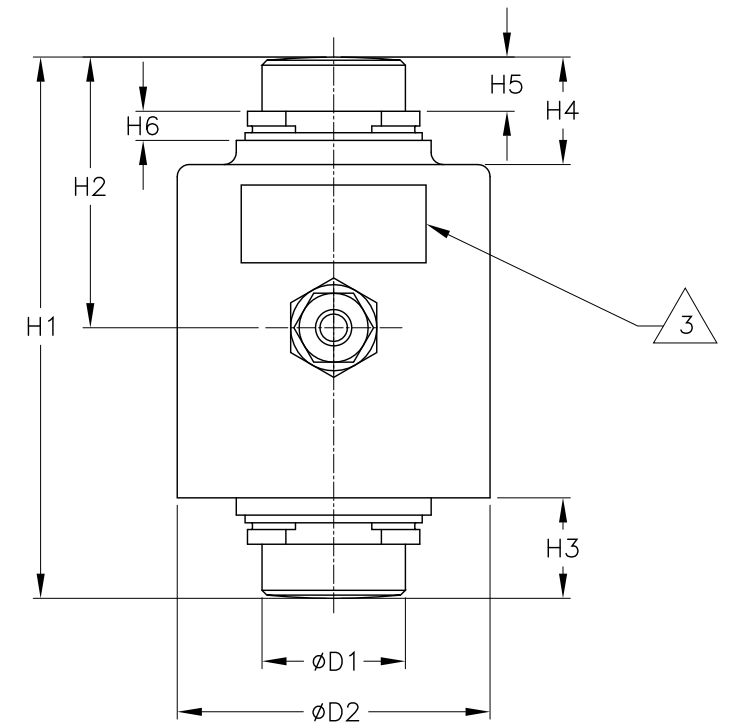
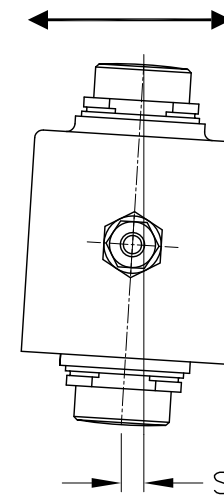
2. THIS DRAWING IS SUBJECT TO CHANGE WITHOUT NOTICE.

1. RATED OUTPUT: 2mV/V ±0.002.

NOTES: UNLESS OTHERWISE SPECIFIED

PROPRIETARY NOTICE
 ALL DATA AND INFORMATION CONTAINED IN OR DISCLOSED BY THIS DOCUMENT IS CONFIDENTIAL AND PROPRIETARY INFORMATION OF HARDY PROCESS SOLUTIONS INC. AND ALL RIGHTS THEREIN ARE EXPRESSLY RESERVED. BY ACCEPTING THIS MATERIAL THE RECIPIENT AGREES THAT THIS MATERIAL AND THE INFORMATION CONTAINED THEREIN IS HELD IN CONFIDENCE AND IN TRUST AND SHALL NOT BE USED, COPIED, REPRODUCED IN WHOLE OR IN PART, NOR ITS CONTENTS REVEALED IN ANY MANNER TO OTHERS, EXCEPT TO MEET THE SPECIFIC PURPOSE FOR WHICH IT WAS DELIVERED.

RECOMMENDED MAIN ROCKING DIRECTION



		0588-0143	OUTLINE DRAWING, LOAD SENSOR, HI RCH03 SERIES		
ITEM	QTY	PART NUMBER	DESCRIPTION	COMMENTS	
PARTS LIST					
UNLESS OTHERWISE SPECIFIED DIMENSIONS ARE IN IN [MM] TOLERANCES ARE: FRACTIONS: N/A DECIMALS: .XX = N/A .XXX = N/A ANGLES: ±0°, 30°		CONTRACT NO.		HARDY PROCESS SOLUTIONS	
		APPROVALS			
		DRAWN V. CHULA	DATE 09-26-11		
		CHECKED D. MORRIS	DATE 11-17-11		
MATERIAL		APPROVED V. CHULA	DATE 11-17-11	OUTLINE DRAWING, LOAD SENSOR, HI RCH03 SERIES	
FINISH		ISSUED V. CHULA	DATE 11-17-11		
DO NOT SCALE DRAWING		PRODUCTION	DATE		
SIZE	FSCM	DRAWING NO.	REV.		
D	21316	0588-0143	B		
FILE NAME: 588143B1.DWG		SCALE: NONE	SHEET 1 OF 1		