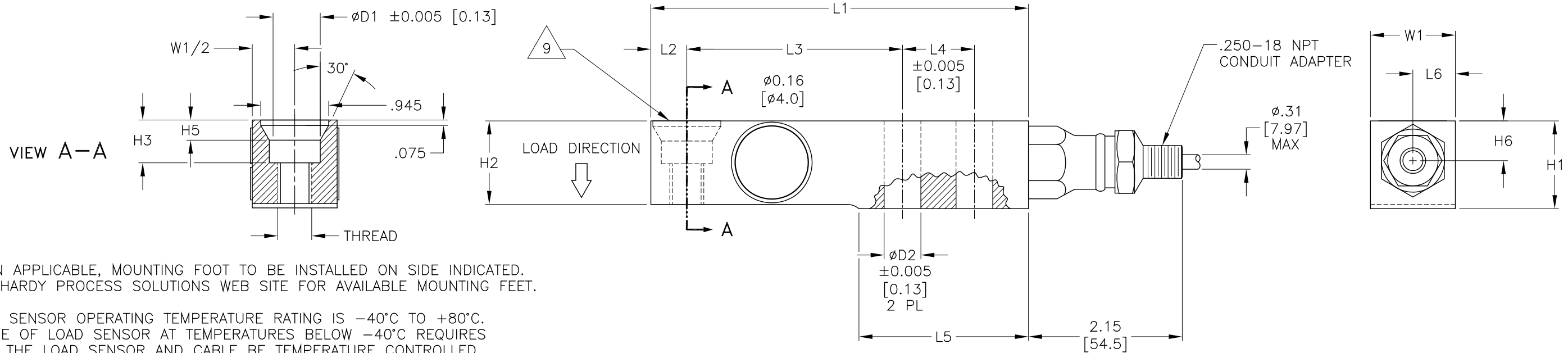


DIMENSIONS— INCHES & [mm]

REV.	ECO/DDC	DESCRIPTION	DATE	DRAFT	CHECK	APV'D
C	----	REMOVED $\phi 0.16$ [$\phi 4.0$] LOAD FOOT BOLT PIN HOLE.	07-06-23	V.J.C.	J.M.	V.J.C.

CAPACITY LBS [KN]	MODEL NUMBER	L1	L2	L3	L4	L5	L6	H1	H2	H3	H5	H6	W1	$\phi D1$	$\phi D2$	THREAD	MOUNTING BOLT $\triangle 7$	TORQUE LB-FT [NM]
500 LB [227KG]	HI SBHC14-500	5.25 [133.4]	0.50 [12.7]	3.00 [76.2]	1.00 [25.4]	2.36 [59.9]	0.59 [15.0]	1.22 [31.0]	1.15 [29.5]	0.59 [15.0]	0.28 [7.1]	0.59 [15.0]	1.181 \pm 0.003 [30.0 \pm .08]	0.709 [18.0]	0.51 [13.0]	.500-20 UNF-2B	.500-20 UNF GRADE 5 [M12 8.8]	66 [90]
1 KLB [454KG]	HI SBHC14-1K	5.25 [133.4]	0.50 [12.7]	3.00 [76.2]	1.00 [25.4]	2.36 [59.9]	0.59 [15.0]	1.22 [31.0]	1.16 [29.5]	0.59 [15.0]	0.28 [7.1]	0.59 [15.0]	1.181 \pm 0.003 [30.0 \pm .08]	0.709 [18.0]	0.51 [13.0]	.500-20 UNF-2B	.500-20 UNF GRADE 5 [M12 8.8]	66 [90]
2.5 KLB [1.13MT]	HI SBHC14-2.5K	5.25 [133.4]	0.50 [12.7]	3.00 [76.2]	1.00 [25.4]	2.36 [59.9]	0.59 [15.0]	1.22 [31.0]	1.20 [30.5]	0.59 [15.0]	0.28 [7.1]	0.59 [15.0]	1.181 \pm 0.003 [30.0 \pm .08]	0.709 [18.0]	0.51 [13.0]	.500-20 UNF-2B	.500-20 UNF GRADE 5 [M12 8.8]	66 [90]
5 KLB [2.27MT]	HI SBHC14-5K	5.25 [133.4]	0.50 [12.7]	3.00 [76.2]	1.00 [25.4]	2.36 [59.9]	0.59 [15.0]	1.22 [31.0]	1.20 [30.5]	0.59 [15.0]	0.28 [7.1]	0.59 [15.0]	1.181 \pm 0.003 [30.0 \pm .08]	0.709 [18.0]	0.51 [13.0]	.500-20 UNF-2B	.500-20 UNF GRADE 5 [M12 10.9]	89 [120]

TOLERANCES: ± 0.015 [0.38] UNLESS OTHERWISE STATED



$\triangle 9$ WHEN APPLICABLE, MOUNTING FOOT TO BE INSTALLED ON SIDE INDICATED. SEE HARDY PROCESS SOLUTIONS WEB SITE FOR AVAILABLE MOUNTING FEET.

8. LOAD SENSOR OPERATING TEMPERATURE RATING IS -40°C TO $+80^{\circ}\text{C}$. USAGE OF LOAD SENSOR AT TEMPERATURES BELOW -40°C REQUIRES THAT THE LOAD SENSOR AND CABLE BE TEMPERATURE CONTROLLED.

$\triangle 7$ USE 2 BOLTS TO MOUNT LOAD SENSOR.

6. LOAD SENSOR IS CONSTRUCTED USING 17-4 PH STAINLESS STEEL.

5. CABLE IS SHIELDED, 6 CONDUCTOR. CABLE SHIELD IS FLOATING. CABLE LENGTH IS 20 FEET [6 METERS].

4. C2 WIRE COLOR CODE FLAG LABEL IS LOCATED APPROXIMATELY 10 INCHES [254MM] FROM END OF CABLE.

EXCITATION +	RED
EXCITATION -	BLACK
SIGNAL +	GREEN
SIGNAL -	WHITE
C2 +	GRAY
C2 -	VIOLET
SHIELD	YELLOW

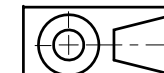
3. CABLE WIRE ENDS ARE STRIPPED BACK APPROXIMATELY 0.5 INCHES [12.7MM] AND TINNED. CABLE JACKET IS STRIPPED BACK 5 INCHES [127MM] MAXIMUM.

2. THIS DRAWING IS SUBJECT TO CHANGE WITHOUT NOTICE.

1. RATED OUTPUT: $2\text{mV/V} \pm 0.002$.

NOTES: UNLESS OTHERWISE SPECIFIED

PROPRIETARY NOTICE
ALL DATA AND INFORMATION CONTAINED IN OR DISCLOSED BY THIS DOCUMENT IS CONFIDENTIAL AND PROPRIETARY INFORMATION OF HARDY PROCESS SOLUTIONS INC. AND ALL RIGHTS THEREIN ARE EXPRESSLY RESERVED. BY ACCEPTING THIS MATERIAL THE RECIPIENT AGREES THAT THIS MATERIAL AND THE INFORMATION CONTAINED THEREIN IS HELD IN CONFIDENCE AND IN TRUST AND SHALL NOT BE USED, COPIED, REPRODUCED IN WHOLE OR IN PART, NOR ITS CONTENTS REVEALED IN ANY MANNER TO OTHERS, EXCEPT TO MEET THE SPECIFIC PURPOSE FOR WHICH IT WAS DELIVERED.



ITEM	QTY	PART NUMBER	DESCRIPTION	COMMENTS
PARTS LIST				
UNLESS OTHERWISE SPECIFIED DIMENSIONS ARE IN INCHES TOLERANCES ARE: FRACTIONS: N/A DECIMALS: .XX AND .XXX = ± 0.010 ANGLES: $\pm 0^{\circ}$, 30°		CONTRACT NO. APPROVALS		
MATERIAL		DRAWN V. CHULA DATE 03-11-16		
FINISH		CHECKED E. JAMES DATE 04-13-16		
DO NOT SCALE DRAWING		APPROVED V. CHULA DATE 04-13-16		
		ISSUED V. CHULA DATE 04-13-16		
		PRODUCTION DATE		
TITLE OUTLINE DRAWING, LOAD SENSOR, HI SBHC14 SERIES		SIZE	FSCM	DRAWING NO.
		D	21316	0588-0178
FILE NAME: 588178C1.DWG		SCALE: NONE	SHEET 1 OF 1	