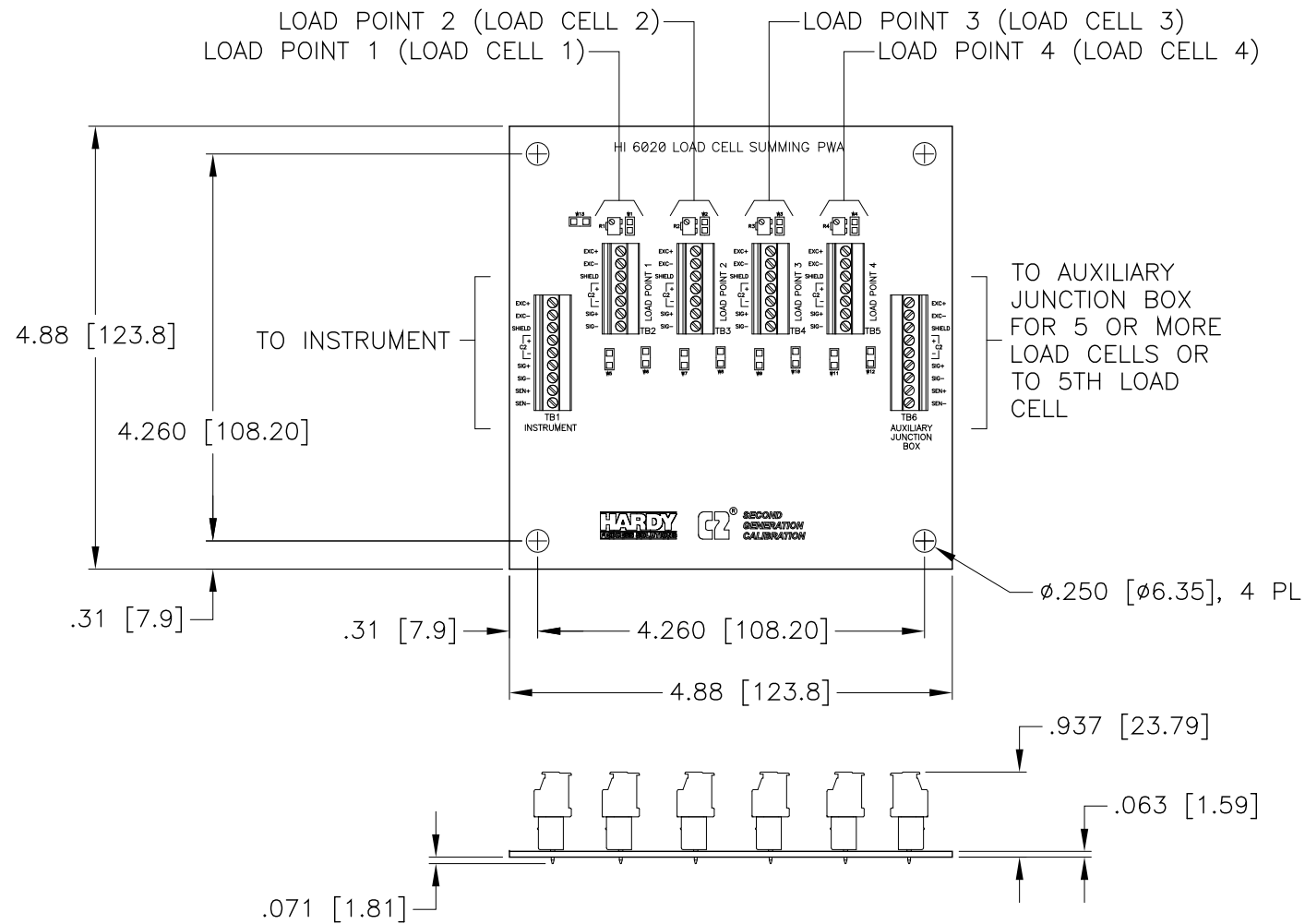


REV.	ECO/DDC	DESCRIPTION	DATE	DRAFT	CHECK	APV'D
E	11882	REVISED PER ECN.	03-16-17	V.J.C.	E.M.J.	V.J.C.

JUNCTION BOX FIELD WIRING



HI 6020JB-FG, PS & SC SERIES LOAD CELL SUMMING CARD

7. SEE SHEET 2 FOR ENCLOSURE MOUNTING DIMENSIONS.

6. OPTIONAL TRIM POTS CANNOT BE USED WITH C2 OR SOFCAL.

5. REFER TO INSIDE OF JUNCTION BOX COVER FOR GUIDELINES.

4. INSERT C2 LOAD CELL CABLE THROUGH GRIP FITTING AND TIGHTEN ON CABLE AREA MARKED GRIP ZONE. ALIGN END OF GRIP FITTING TO COMPLETELY COVER CABLE GRIP ZONE.

3. THE FOLLOWING PARTS ARE SHIPPED INSIDE JUNCTION BOX AND ARE TO BE INSTALLED IN LOCATIONS REQUIRED BY CUSTOMER:

ITEM	PART NUMBER	QTY	DESCRIPTION
1	0529-0024-01-0	6	CORD GRIP SEALING PLUG (TO BE INSTALLED IN ITEM 3 WHEN APPLICABLE)
2	2814-0095-0	6	1/2 NPT NYLON NUT
3	6007-0097-0	6	1/2 NPT UL TYPE 4X NYLON CORD GRIP, $\phi.17$ [$\phi4.3$] - $\phi.45$ [$\phi11.4$]

2. USE HARDY PROCESS SOLUTIONS CERTIFIED LOAD CELL CABLE MODEL NO. C2 CABLE [PN 6020-0001-0].

1. REFER TO LOAD CELL CAL SHEET OR WEIGHING ASSEMBLY SELECTION GUIDE FOR LOAD CELL WIRING COLOR CODE.

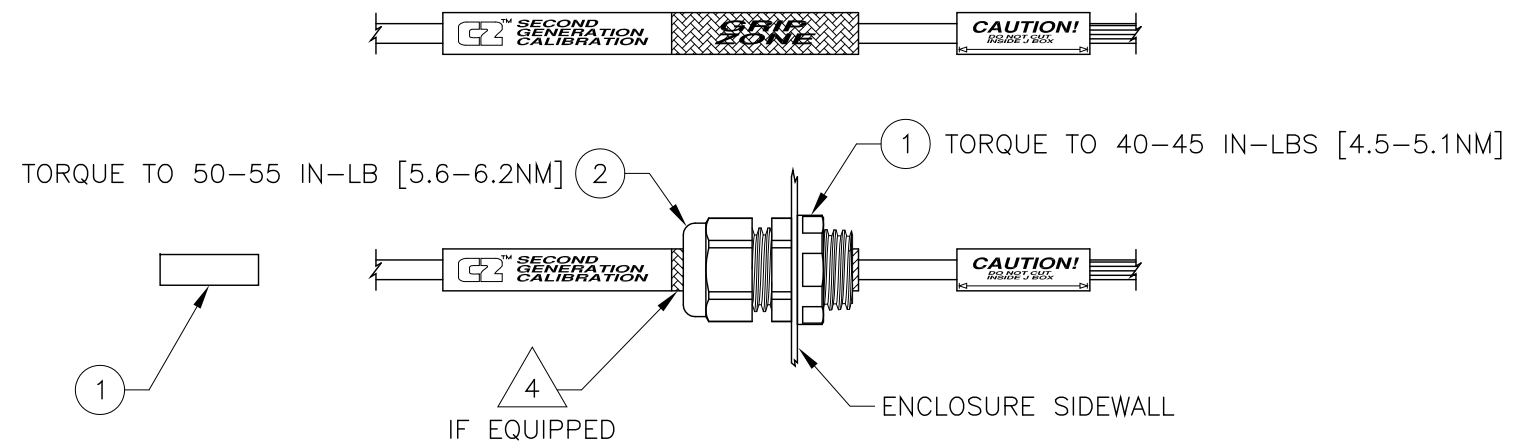
NOTES: UNLESS OTHERWISE SPECIFIED

PROPRIETARY NOTICE
ALL DATA AND INFORMATION CONTAINED IN OR DISCLOSED BY THIS DOCUMENT IS CONFIDENTIAL AND PROPRIETARY INFORMATION OF HARDY PROCESS SOLUTIONS INC. AND ALL RIGHTS THEREIN ARE EXPRESSLY RESERVED. BY ACCEPTING THIS MATERIAL THE RECIPIENT AGREES THAT THIS MATERIAL AND THE INFORMATION CONTAINED THEREIN IS HELD IN CONFIDENCE AND IN TRUST AND SHALL NOT BE USED, COPIED, REPRODUCED IN WHOLE OR IN PART, NOR ITS CONTENTS REVEALED IN ANY MANNER TO OTHERS, EXCEPT TO MEET THE SPECIFIC PURPOSE FOR WHICH IT WAS DELIVERED.

MODEL NUMBERS 6

HI 6020JB-XXX	DESCRIPTION
PS	PAINTED STEEL ENCLOSURE
1	WITHOUT TRIM POTS
2	WITH TRIM POTS
FG	FIBERGLASS ENCLOSURE
1	WITHOUT TRIM POTS
2	WITH TRIM POTS
SC	LOAD CELL SUMMING CARD ONLY
1	WITHOUT TRIM POTS
2	WITH TRIM POTS

CABLE CONNECTION 3



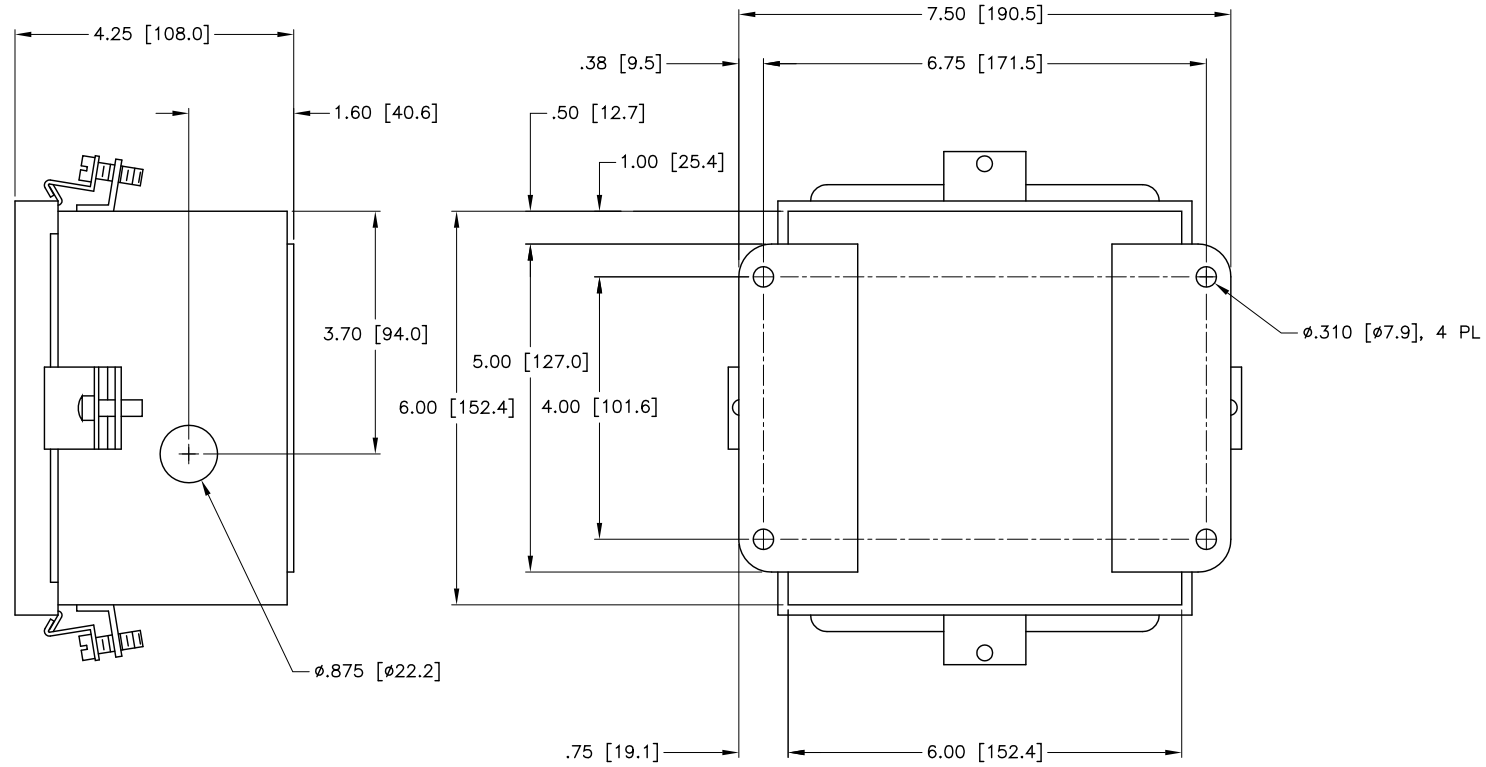
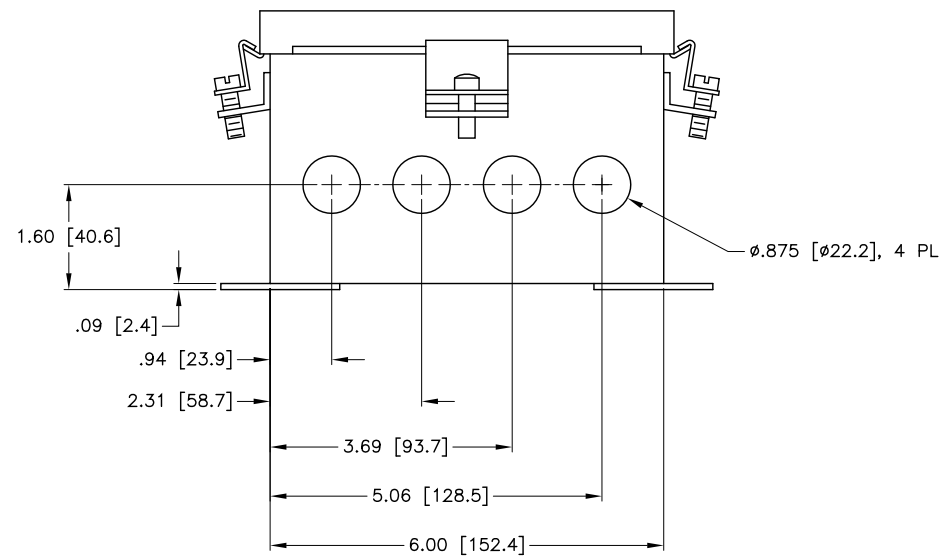
DIMENSIONS IN INCHES [MM]

ITEM	QTY	PART NUMBER	DESCRIPTION	COMMENTS
		0584-0080	I/I DIAGRAM, HI 6020JB-FG, PS & SC SERIES	
PARTS LIST				
UNLESS OTHERWISE SPECIFIED DIMENSIONS IN INCHES [MM]		CONTRACT NO.		
TOLERANCES:		APPROVALS		
FRACTIONS: N/A		DRAWN	DATE	
DECIMALS: .XX = ± 0.03 [.8]		V. CHULA	01-15-13	
.XXX = ± 0.10 [.25]		CHECKED	DATE	
ANGLES: $\pm 0^\circ, 30^\circ$		T. NORMAN	01-18-13	
MATERIAL		APPROVED	DATE	
		V. CHULA	01-18-13	
FINISH		ISSUED	DATE	
		V. CHULA	01-18-13	
		PRODUCTION	DATE	
DO NOT SCALE DRAWING		SIZE	FSCM	DRAWING NO.
		D	21316	0584-0080
		REV.	E	
		FILE NAME:	584080E1.DWG	SCALE: NONE
		SHEET	1 OF 2	

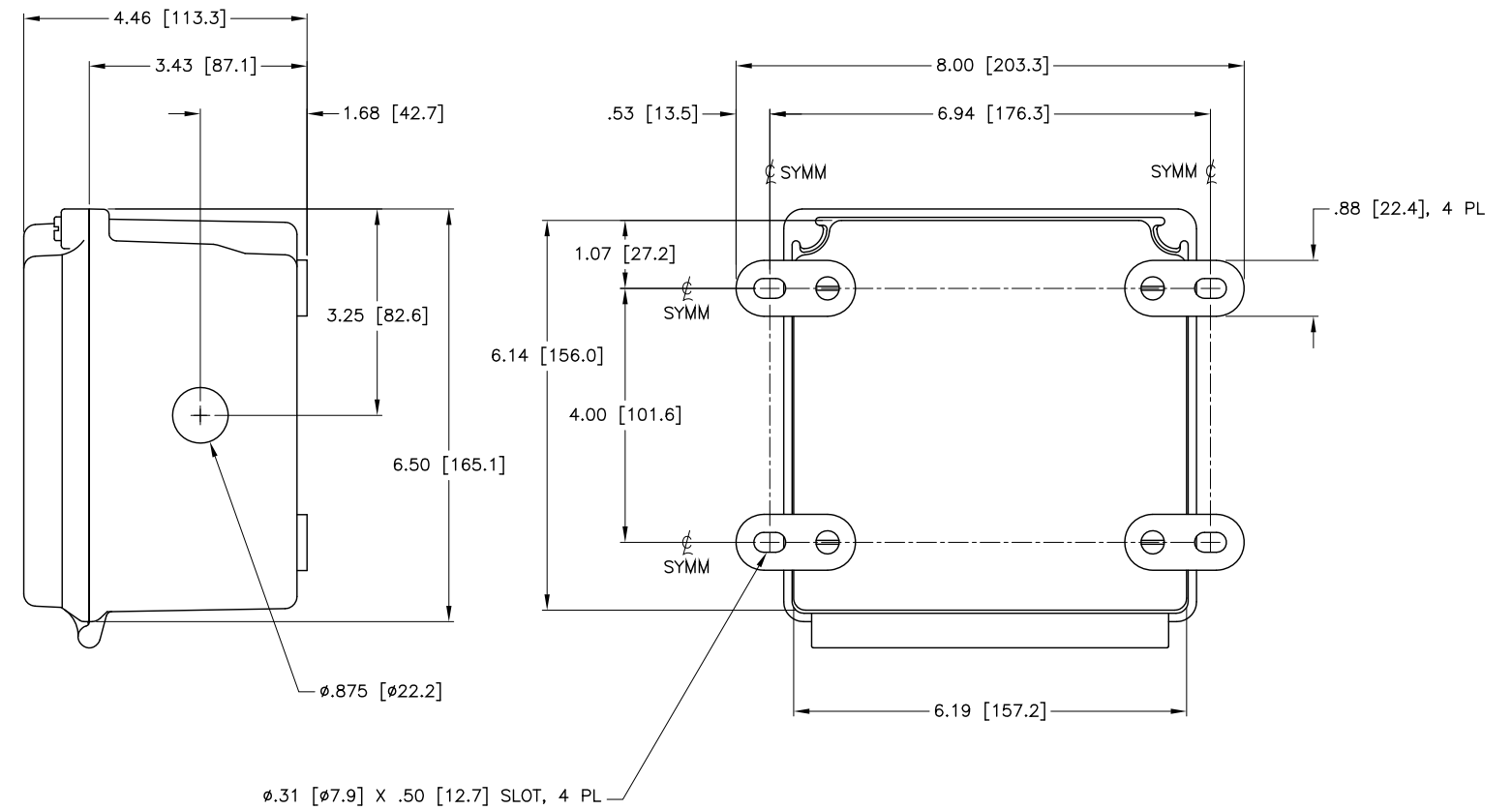
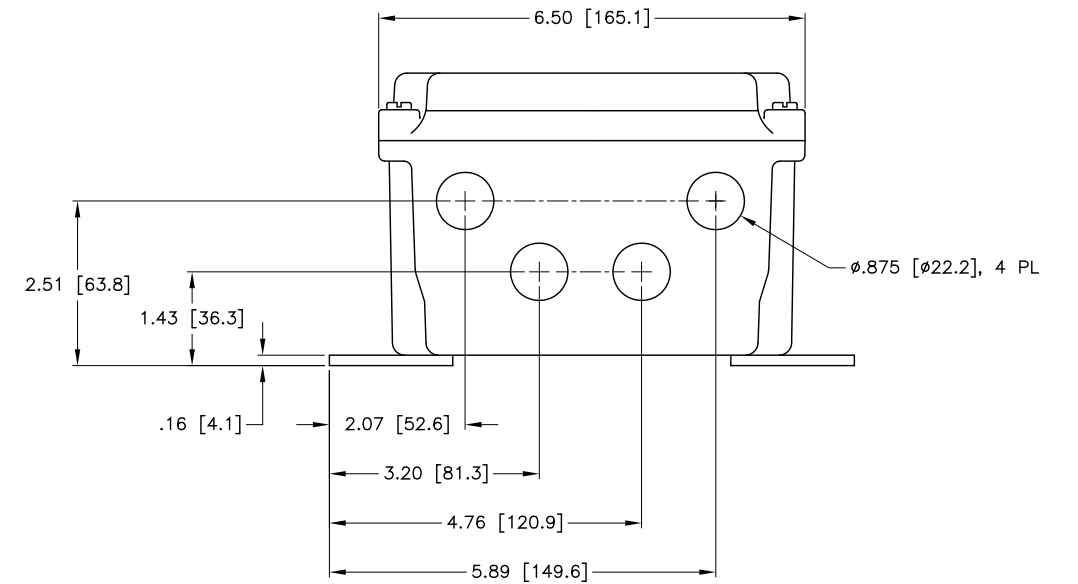


I/I DIAGRAM, HI 6020JB
FG, PS & SC SERIES

HI 6020JB-PS SERIES (PAINTED STEEL ENCLOSURE)



HI 6020JB-FG SERIES (FIBERGLASS ENCLOSURE)



DIMENSIONS IN INCHES [MM]



TITLE			
I/I DIAGRAM, HI 6020JB FG, PS & SC SERIES			
SIZE	FSCM	DRAWING NO.	REV.
D	21316	0584-0080	E
FILE NAME: 584080E1.DWG		SCALE: NONE	SHEET 2 OF 2