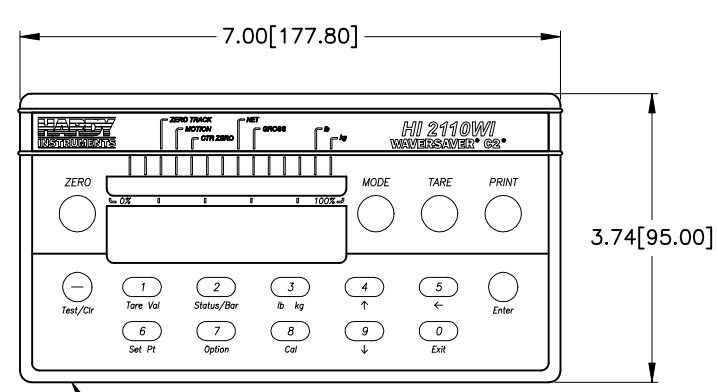
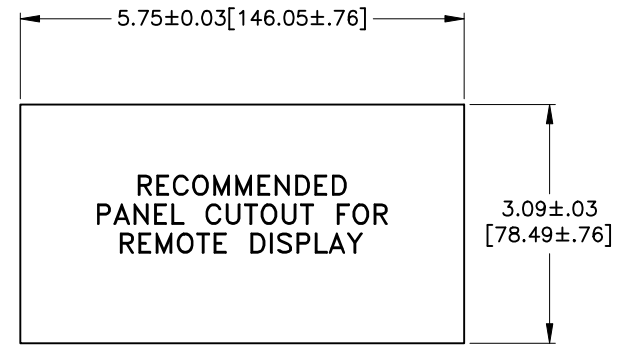


HI 2110WI REMOTE MOUNT (-RM CONFIGURATION)

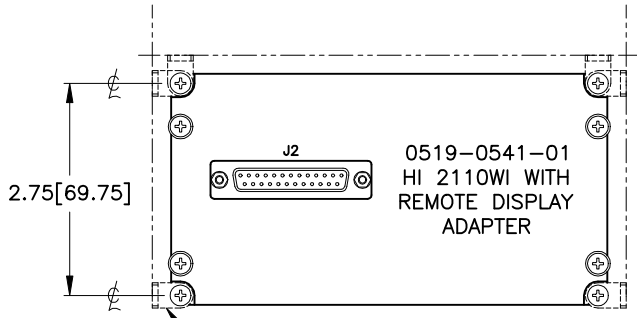
REV.	ECO/DDC	DESCRIPTION	DATE	DRAFT	CHECK	APV'D
A	07997	RELEASED FOR PRODUCTION REVISED PER DDC.	05-18-01	S.N.	L.B.O.	V.J.C.



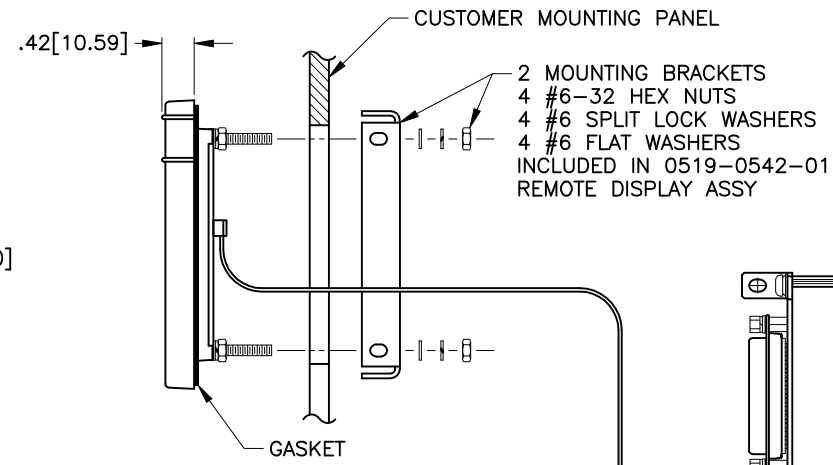
0519-0542-01 REMOTE DISPLAY ASSY



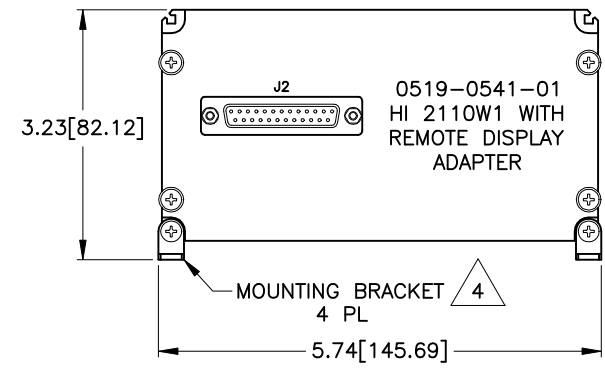
RECOMMENDED
PANEL CUTOUT FOR
REMOTE DISPLAY



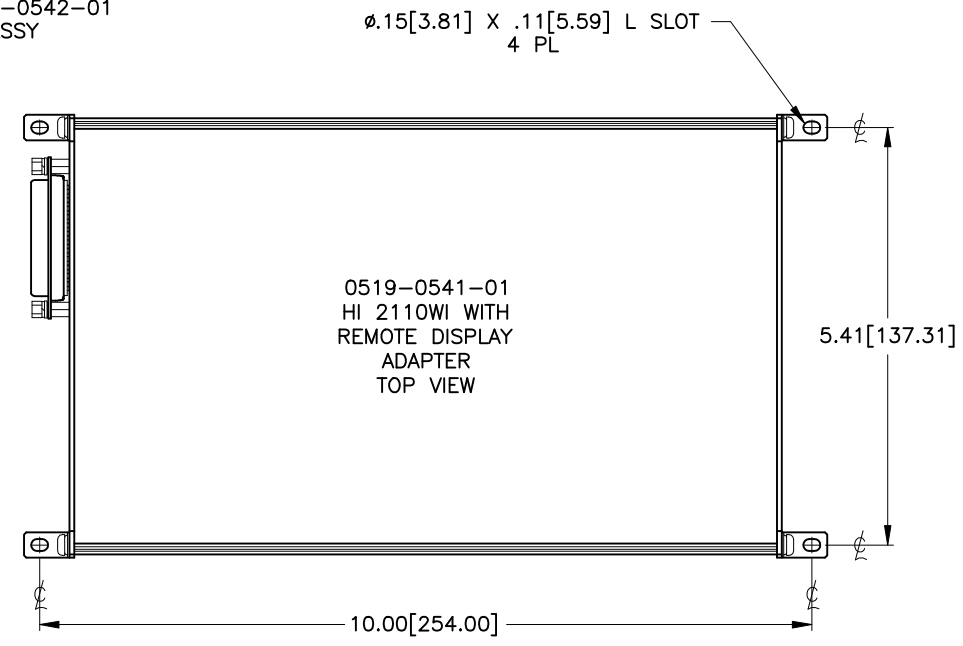
MOUNTING BRACKETS MAY BE
INSTALLED AT ALTERNATE
LOCATIONS SHOWN



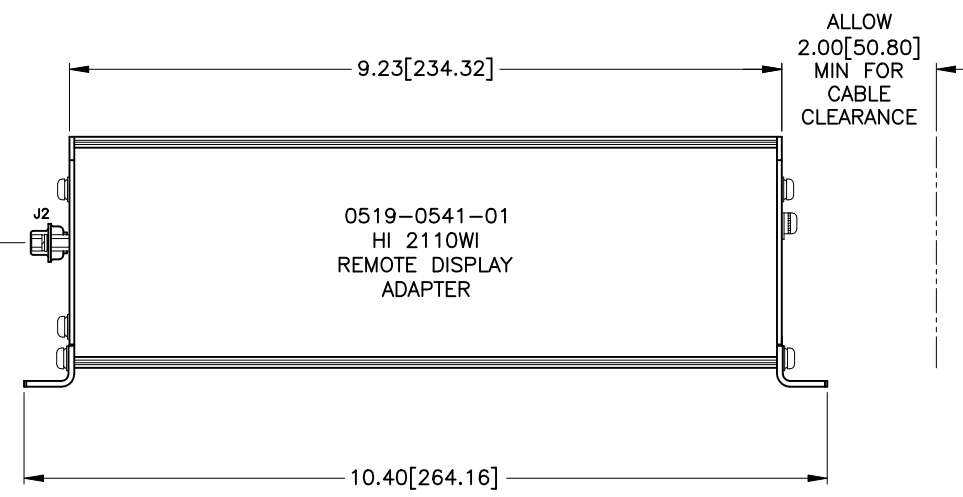
REMOTE DISPLAY RIBBON CABLE
LENGTH: 55.00 [1397.00]



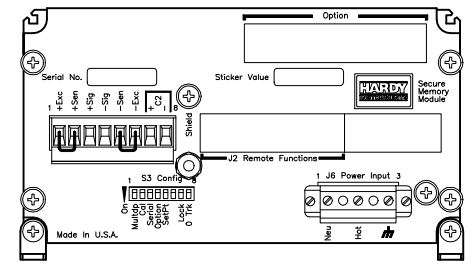
MOUNTING BRACKET
4 PL



0519-0541-01
HI 2110WI WITH
REMOTE DISPLAY
ADAPTER
TOP VIEW



0519-0541-01
HI 2110WI
REMOTE DISPLAY
ADAPTER



- 4 MOUNT UNIT USING #6 OR M3.5 HARDWARE (NOT SUPPLIED WITH UNIT).
- 3. INTERCONNECT WIRING FOR UNITS INSTALLED IN HAZARDOUS LOCATIONS TO BE PER NATIONAL ELECTRIC CODE (ANSI/NFPA-70).
- 2. SEE SHEETS 2 AND 3 FOR CABLE TERMINATIONS.
- 1. SEE 0596-0252-01 FOR OPERATION AND INSTALLATION MANUAL.

NOTES: UNLESS OTHERWISE SPECIFIED

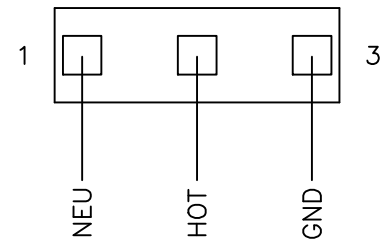
PROPRIETARY NOTICE
ALL DATA AND INFORMATION CONTAINED IN OR DISCLOSED BY THIS DOCUMENT IS CONFIDENTIAL AND PROPRIETARY INFORMATION OF HARDY INSTRUMENTS INC. AND ALL RIGHTS THEREIN ARE EXPRESSLY RESERVED. BY ACCEPTING THIS MATERIAL THE RECIPIENT AGREES THAT THIS MATERIAL AND THE INFORMATION CONTAINED THEREIN IS HELD IN CONFIDENCE AND IN TRUST AND SHALL NOT BE USED, COPIED, REPRODUCED IN WHOLE OR IN PART, NOR ITS CONTENTS REVEALED IN ANY MANNER TO OTHERS, EXCEPT TO MEET THE SPECIFIC PURPOSE FOR WHICH IT WAS DELIVERED.

ITEM	QTY	PART NUMBER	DESCRIPTION	COMMENTS														
0584-0041 I/I DIAGRAM, HI 2110WI-RM, REMOTE MOUNT																		
PARTS LIST																		
UNLESS OTHERWISE SPECIFIED DIMENSIONS ARE IN INCHES AND [MM]. TOLERANCES ARE: FRACTIONS: N/A DECIMALS: .XX = ±.03 .XXX = ±.010 ANGLES: ±0°, 30'			<table border="1"> <tr> <th colspan="2">CONTRACT NO.</th> </tr> <tr> <td colspan="2">APPROVALS</td> </tr> <tr> <td>DRAWN V. CHULA</td> <td>DATE 04-24-00</td> </tr> <tr> <td>CHECKED L. OFTEDAHL</td> <td>DATE 04-28-00</td> </tr> <tr> <td>APPROVED G. INNOCENTI</td> <td>DATE 05-02-00</td> </tr> <tr> <td>ISSUED K. McNULTY</td> <td>DATE 05-03-00</td> </tr> <tr> <td>PRODUCTION</td> <td>DATE</td> </tr> </table>		CONTRACT NO.		APPROVALS		DRAWN V. CHULA	DATE 04-24-00	CHECKED L. OFTEDAHL	DATE 04-28-00	APPROVED G. INNOCENTI	DATE 05-02-00	ISSUED K. McNULTY	DATE 05-03-00	PRODUCTION	DATE
CONTRACT NO.																		
APPROVALS																		
DRAWN V. CHULA	DATE 04-24-00																	
CHECKED L. OFTEDAHL	DATE 04-28-00																	
APPROVED G. INNOCENTI	DATE 05-02-00																	
ISSUED K. McNULTY	DATE 05-03-00																	
PRODUCTION	DATE																	
MATERIAL			<table border="1"> <tr> <td>SIZE</td> <td>FSCM</td> <td>DRAWING NO.</td> <td>REV.</td> </tr> <tr> <td>D</td> <td>21316</td> <td>0584-0041</td> <td>A</td> </tr> </table>		SIZE	FSCM	DRAWING NO.	REV.	D	21316	0584-0041	A						
SIZE	FSCM	DRAWING NO.	REV.															
D	21316	0584-0041	A															
FINISH			<table border="1"> <tr> <td>FILE NAME:</td> <td>SCALE:</td> <td>SHEET</td> <td>OF</td> </tr> <tr> <td>584041A1.DWG</td> <td>NONE</td> <td>1</td> <td>3</td> </tr> </table>		FILE NAME:	SCALE:	SHEET	OF	584041A1.DWG	NONE	1	3						
FILE NAME:	SCALE:	SHEET	OF															
584041A1.DWG	NONE	1	3															
DO NOT SCALE DRAWING																		



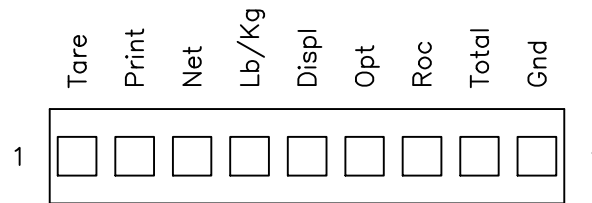
**I/I DIAGRAM, HI 2110WI-RM,
REMOTE MOUNT**

J6 POWER INPUT



WIRE SIZE: 26 AWG MIN / 14 AWG MAX

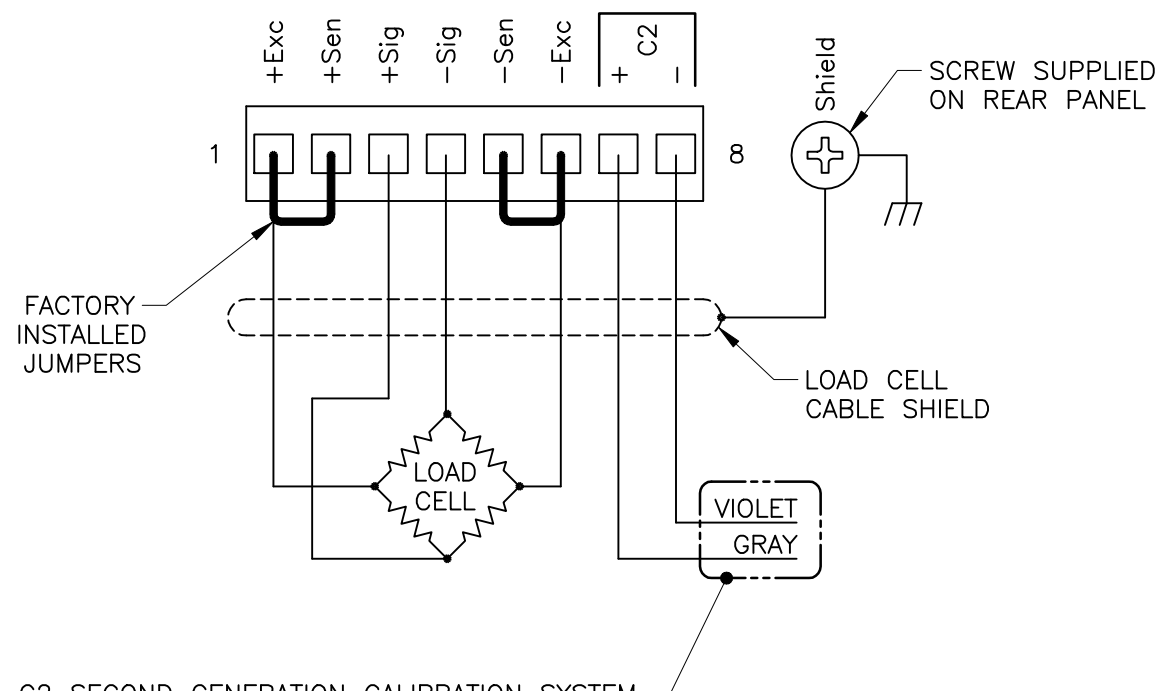
J2 REMOTE FUNCTIONS



NOTES:

1. MOMENTARY FUNCTIONS REQUIRE 100 mSEC OR GREATER TO GND FOR PROPER ACTIVATION, ONLY USE REMOTE FUNCTIONS GROUND (J2 PIN 9) FOR ACTIVATING REMOTE FUNCTION.
2. REMOTE FUNCTIONS ARE NOT ISOLATED. DO NOT BUNDLE WIRING FROM REMOTE FUNCTIONS WITH POWER WIRING, RELAY CABLE OR ANY OTHER HIGH ENERGY CABLES.
3. WIRE SIZE: 22 AWG MIN / 12 AWG MAX.

J1 LOAD CELLS



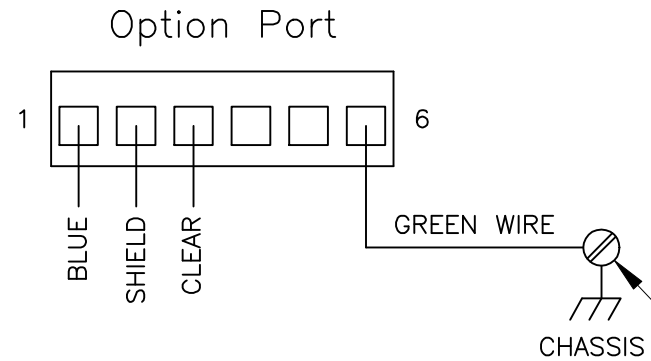
NOTES:

1. DO NOT RUN LOAD CELL CABLE PARALLEL TO, OR IN SAME CONDUIT WITH, POWER WIRING, RELAY CABLE OR OTHER HIGH ENERGY CABLES.
2. FACTORY INSTALLED JUMPERS TO REMAIN IN PLACE FOR FOUR WIRE LOAD CELL CONNECTION. JUMPERS TO BE REMOVED FOR SIX WIRE OR EIGHT WIRE (C2) LOAD CELL CONNECTIONS. EXCITATION AND SENSE WIRES TO BE CONNECTED TOGETHER IN JUNCTION BOX.
3. REQUIRED LOAD CELL CABLE FOR C2 SECOND GENERATION CALIBRATION SYSTEM: HARDY INSTRUMENTS P/N 6020-0001.
4. SEE 0596-0252-01 OPERATION AND INSTALLATION MANUAL FOR ADDITIONAL INFORMATION ON LOAD CELL CONNECTIONS.

TERMINALS FOR C2 SECOND GENERATION CALIBRATION SYSTEM
LEAVE THESE TERMINALS UNCONNECTED IF C2 IS NOT USED

HARDY INSTRUMENTS			
TITLE I/I DIAGRAM, HI 2110WI-RM, REMOTE MOUNT			
SIZE D	FSCM 21316	DRAWING NO. 0584-0041	REV. A
FILE NAME: 584041A1.DWG		SCALE: NONE	SHEET 2 OF 3

REMOTE I/O INTERFACE FOR ALLEN-BRADLEY NETWORK OPTION



WIRE: 78 OHM SHIELDED TWISTED PAIR TWINAX CABLE (20 AWG)

BAUD	JUMPER
57.6 AND 115.2K	W1
230.4K	W2

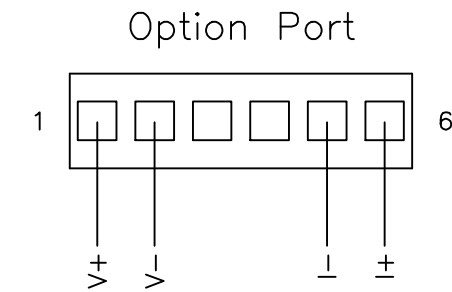
* STANDARD CONFIGURATION: 57.6 AND 115.2K BAUD
 NOTE: FOR MORE INFORMATION, REFER TO 0596-0173 OPERATION AND INSTALLATION MANUAL.

LUG ON GREEN WIRE MUST BE ATTACHED TO INSTRUMENT PANEL. GREEN WIRE AND LUG SUPPLIED BY HARDY INSTRUMENTS

150 OHM @ 57.6K BAUD	10,000 FT (3048 M)
150 OHM @ 115.2K BAUD	5,000 FT (1524 M)
82 OHM @ 230.4K BAUD	2,500 FT (762 M)

NOTE: FOR MORE INFORMATION, REFER TO 0596-0173 OPERATION AND INSTALLATION MANUAL.

ANALOG OUTPUT OPTION



WIRE SIZE: 22 AWG MIN / 12 AWG

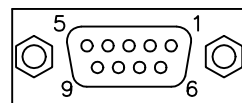
CURRENT SELECTION		VOLTAGE SELECTION	
CONFIGURATION	JUMPER	CONFIGURATION	JUMPER
0 - 20mA	W1	0 - 5 VDC	W3
4 - 20mA	W2	0 - 10 VDC	W4

* STANDARD CONFIGURATION: 4 - 20mA, 0 - 10 VDC

NOTE: FOR MORE INFORMATION, REFER TO 0596-0252-01 OPERATION AND INSTALLATION MANUAL.

PROFIBUS OPTION

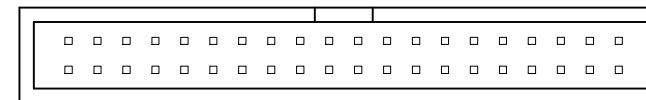
Option Port



1	NC
2	NC
3	RXD/TXD-P
4	CNTR-P
5	GND
6	+5V
7	NC
8	RXD/TXD-N
9	NC

NOTE: FOR MORE INFORMATION, REFER TO 0596-0231-01 OPERATION AND INSTALLATION MANUAL.

BCD OPTION



WIRING: 40 POSITION RIBBON CABLE (SUPPLIED BY HARDY INSTRUMENTS)

PRINT POLARITY SELECT	PRINT	JUMPER
	PRINT	W1
	PRINT	W2

* STANDARD CONFIGURATION: PRINT

NOTE: FOR MORE INFORMATION, REFER TO 0596-0252-01 OPERATION AND INSTALLATION MANUAL.

HARDY INSTRUMENTS

TITLE: I/I DIAGRAM, HI 2110WI-RM, REMOTE MOUNT

SIZE	FSCM	DRAWING NO.	REV.
D	21316	0584-0041	A
FILE NAME: 584041A1.DWG		SCALE: NONE	SHEET 3 OF 3