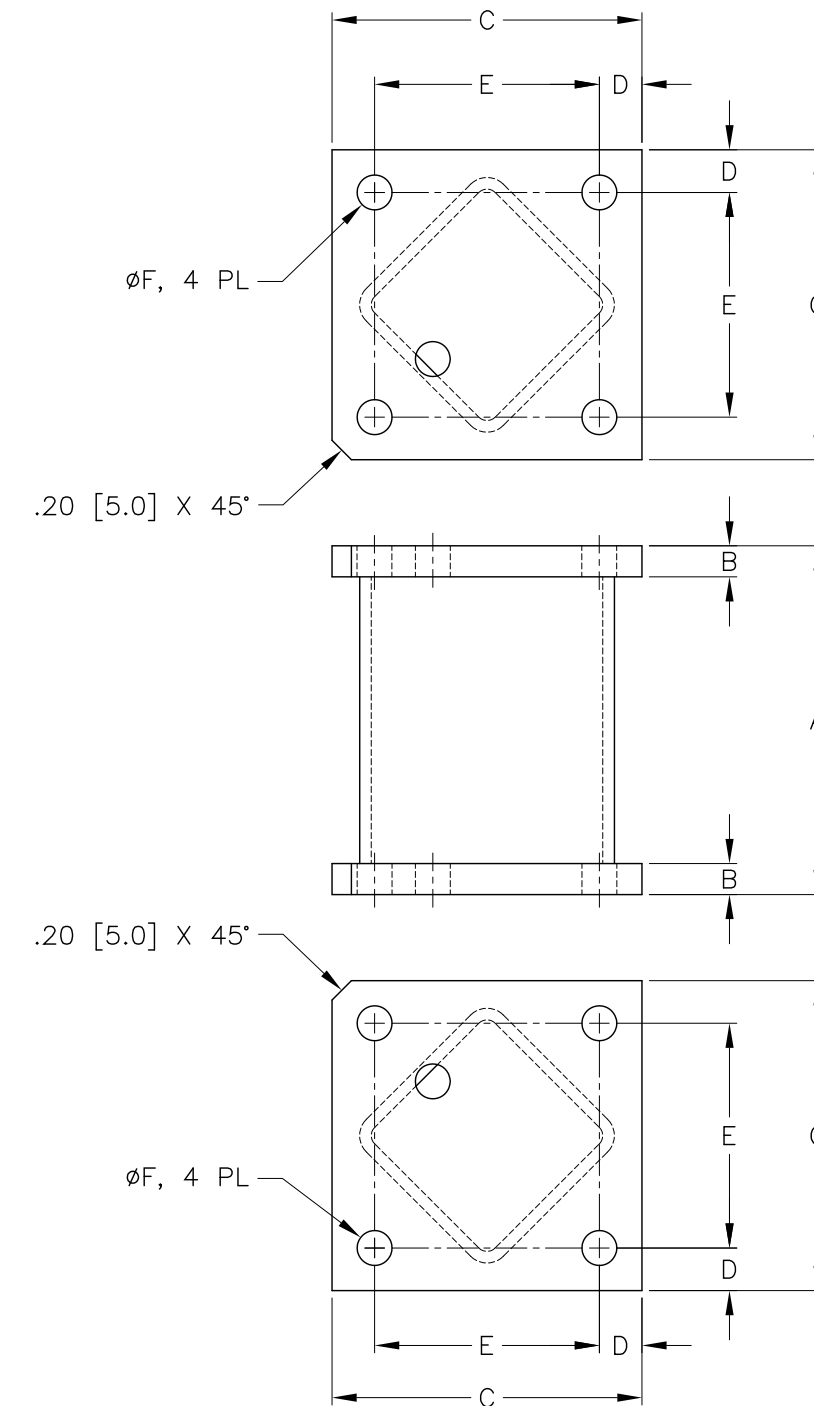


REV.	ECO/DDC	DESCRIPTION	DATE	DRAFT	CHECK	APV'D
A	----	RELEASED.	12-08-14	V.J.C.	N.H.S.	E.J.

MODEL NUMBER WELDING FIXTURE	ASSOCIATED LOAD POINT SERIES	CAPACITY LBS [KN]	A	B	C	D	E	∅F
HI MWF-HLPS-4.5KLB	HI HLPS & HI LPS05 BUMPER/SLIDER/FIXED	1125 LB [5KN] 2.25 KLB [10KN] 4.5 KLB [20KN]	3.54 [90.0]	.31 [8.0]	3.15 [80.0]	.43 [11.0]	2.283 [58.00]	.354 [9.00]
HI MWF-HLPS-11.25KLB	HI HLPS & HI LPS05 BUMPER/SLIDER/FIXED	11.25 KLB [50KN]	4.72 [120.0]	.39 [10.0]	3.94 [100.0]	.47 [12.0]	2.992 [76.00]	.433 [11.00]
HI MWF-HLPS-22.5KLB	HI HLPS & HI LPS05 BUMPER/SLIDER/FIXED	22.5 KLB [100KN]	6.69 [170.0]	.39 [10.0]	4.72 [120.0]	.59 [15.0]	3.543 [90.00]	.531 [13.50]

DIMENSIONS - INCHES & [mm]

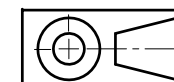


2. WELDING FIXTURE IS CONSTRUCTED FROM ZINC PLATED STEEL.

1. THIS DRAWING IS SUBJECT TO CHANGE WITHOUT NOTICE.

NOTES: UNLESS OTHERWISE SPECIFIED

PROPRIETARY NOTICE  
ALL DATA AND INFORMATION CONTAINED IN OR DISCLOSED BY THIS DOCUMENT IS CONFIDENTIAL AND PROPRIETARY INFORMATION OF HARDY PROCESS SOLUTIONS INC. AND ALL RIGHTS THEREIN ARE EXPRESSLY RESERVED. BY ACCEPTING THIS MATERIAL THE RECIPIENT AGREES THAT THIS MATERIAL AND THE INFORMATION CONTAINED THEREIN IS HELD IN CONFIDENCE AND IN TRUST AND SHALL NOT BE USED, COPIED, REPRODUCED IN WHOLE OR IN PART, NOR ITS CONTENTS REVEALED IN ANY MANNER TO OTHERS, EXCEPT TO MEET THE SPECIFIC PURPOSE FOR WHICH IT WAS DELIVERED.



ITEM	QTY	PART NUMBER	DESCRIPTION	COMMENTS	
0588-0173 OUTLINE DRAWING, WELDING FIXTURE, HI MWF-HLPS SERIES					
PARTS LIST					
UNLESS OTHERWISE SPECIFIED DIMENSIONS ARE IN INCH [MM] TOLERANCES ARE: FRACTIONS: N/A DECIMALS: .XX = ±.03 [.8] .XXX = ±.010 [.25] ANGLES: ±0°, 30'		CONTRACT NO.			
MATERIAL		APPROVALS			
FINISH		ISSUED			
DO NOT SCALE DRAWING		PRODUCTION			
		DRAWN V. CHULA		DATE 12-04-14	
		CHECKED N. SCHERRER		DATE 12-05-14	
		APPROVED E. JAMES		DATE 12-08-14	
		ISSUED V. CHULA		DATE 12-08-14	
		PRODUCTION		DATE	
		SIZE	FSCM	DRAWING NO.	REV.
		D	21316	0588-0173	A
		FILE NAME: 588173A1.DWG		SCALE: NONE	SHEET 1 OF 1