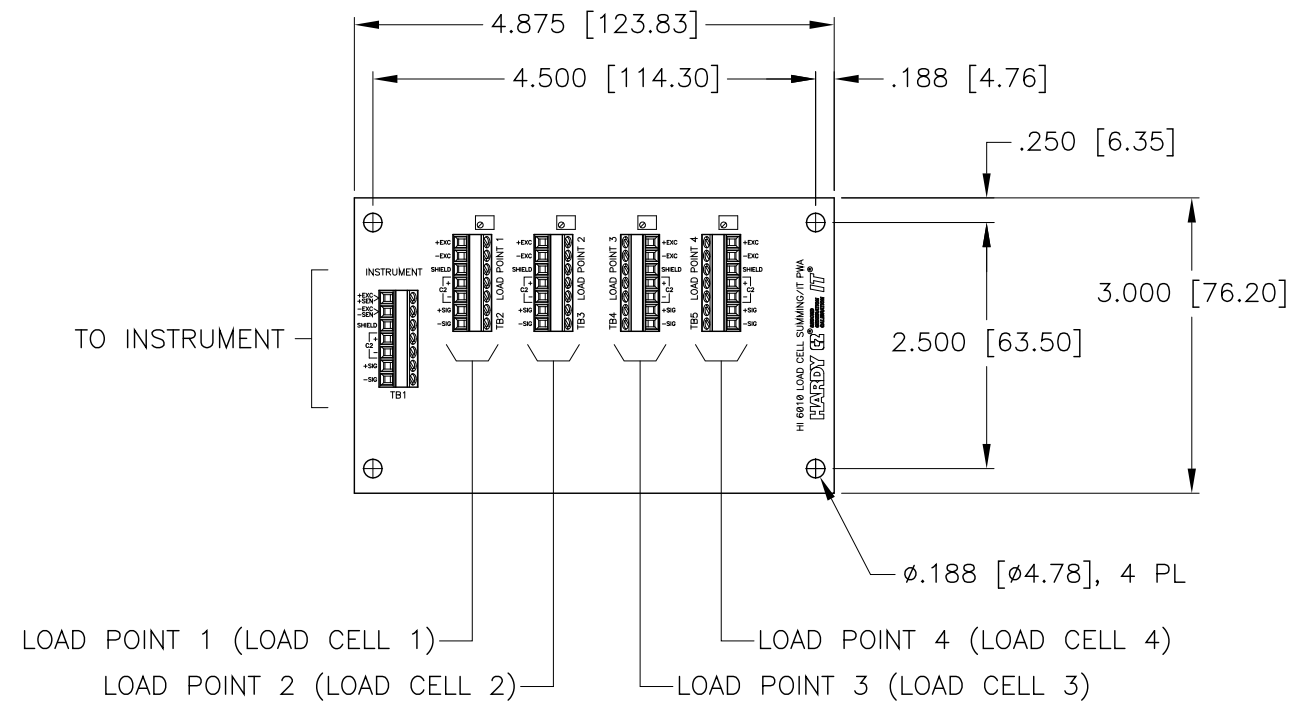
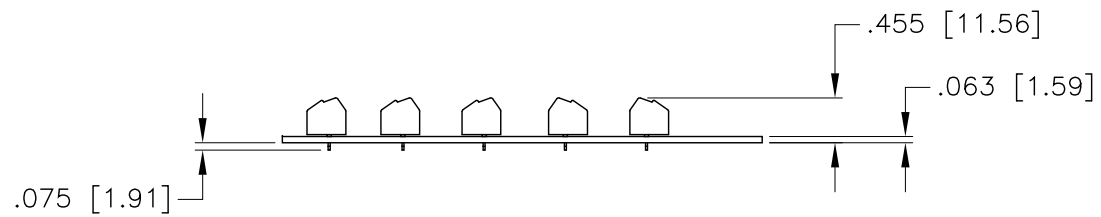


REV.	ECO/DDC	DESCRIPTION	DATE	DRAFT	CHECK	APV'D
A	----	RELEASED.	12-17-12	V.J.C.	G.R.C.	T.N.
B	11557	REVISED PER ECN.	04-20-15	V.J.C.	N.H.S.	V.J.C.



JUNCTION BOX FIELD WIRING



HI 6010IT SERIES LOAD CELL SUMMING CARD

7. SEE SHEET 2 FOR ENCLOSURE MOUNTING DIMENSIONS.

6. OPTIONAL TRIM POTS CAN NOT BE USED WITH C2 OR SOFCAL.

5. REFER TO INSIDE OF JUNCTION BOX COVER FOR GUIDELINES.

4. INSERT C2 LOAD CELL CABLE THROUGH GRIP FITTING AND TIGHTEN ON CABLE AREA MARKED GRIP ZONE. ALIGN END OF GRIP FITTING TO COMPLETELY COVER CABLE GRIP ZONE.

3. THE FOLLOWING PARTS ARE SHIPPED INSIDE THE JUNCTION BOX AND ARE TO BE INSTALLED IN LOCATIONS AS REQUIRED BY CUSTOMER:

ITEM	PART NUMBER	QTY	DESCRIPTION
1	0529-0024-01-0	5	CORD GRIP SEALING PLUG (TO BE INSTALLED IN ITEM 3 WHEN APPLICABLE)
2	2814-0095-0	5	1/2 NPT NYLON NUT
3	6007-0097-0	5	1/2 NPT UL TYPE 4X NYLON CORD GRIP, ϕ .17 [ϕ 4.3] - ϕ .45 [ϕ 11.4]

2. USE HARDY PROCESS SOLUTIONS PN 6020-0001-0 C2 CERTIFIED LOAD CELL CABLE.

1. REFER TO LOAD CELL CAL SHEET OR WEIGHING ASSEMBLY SELECTION GUIDE FOR LOAD CELL WIRING COLOR CODE.

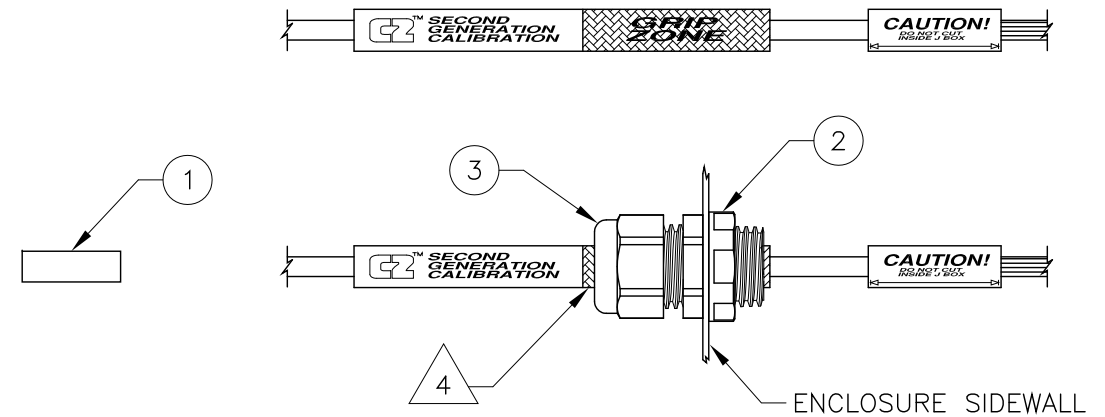
NOTES: UNLESS OTHERWISE SPECIFIED

PROPRIETARY NOTICE
ALL DATA AND INFORMATION CONTAINED IN OR DISCLOSED BY THIS DOCUMENT IS CONFIDENTIAL AND PROPRIETARY INFORMATION OF HARDY PROCESS SOLUTIONS INC. AND ALL RIGHTS THEREIN ARE EXPRESSLY RESERVED. BY ACCEPTING THIS MATERIAL THE RECIPIENT AGREES THAT THIS MATERIAL AND THE INFORMATION CONTAINED THEREIN IS HELD IN CONFIDENCE AND IN TRUST AND SHALL NOT BE USED, COPIED, REPRODUCED IN WHOLE OR IN PART, NOR ITS CONTENTS REVEALED IN ANY MANNER TO OTHERS, EXCEPT TO MEET THE SPECIFIC PURPOSE FOR WHICH IT WAS DELIVERED.

MODEL NUMBERS 6

HI 6010IT-XXX	DESCRIPTION
PC	POLYMER ENCLOSURE
1	WITHOUT TRIM POTS
2	WITH TRIM POTS
SC	SUMMING CARD ONLY
1	WITHOUT TRIM POTS
2	WITH TRIM POTS

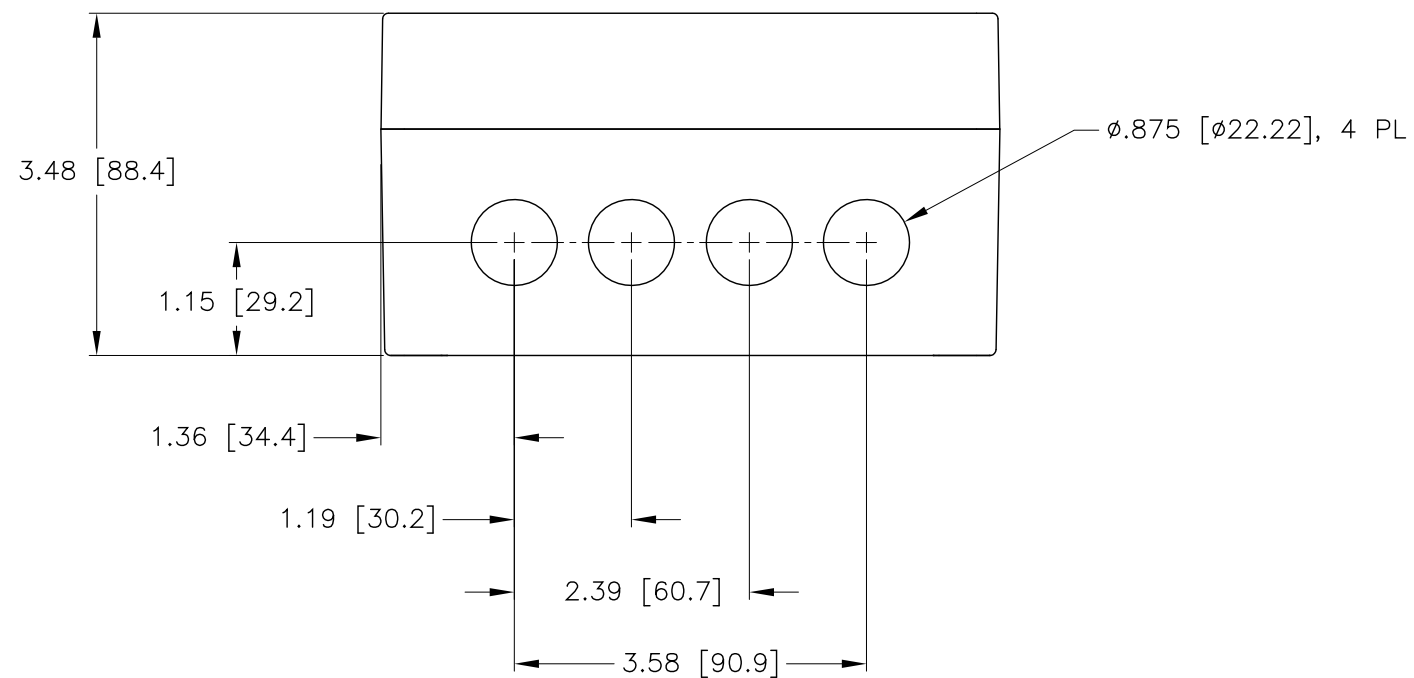
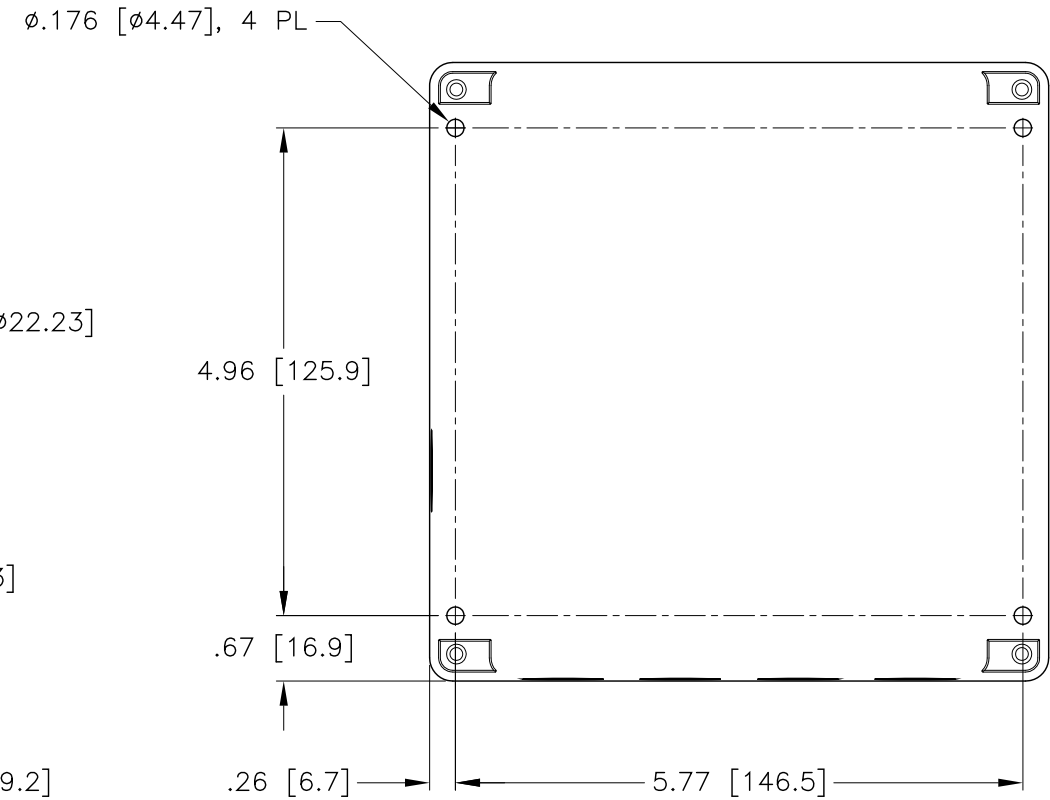
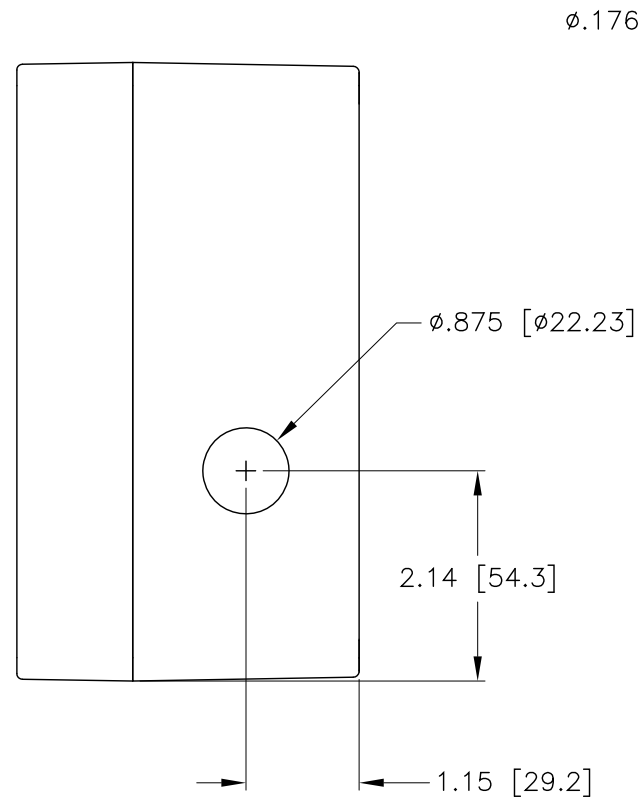
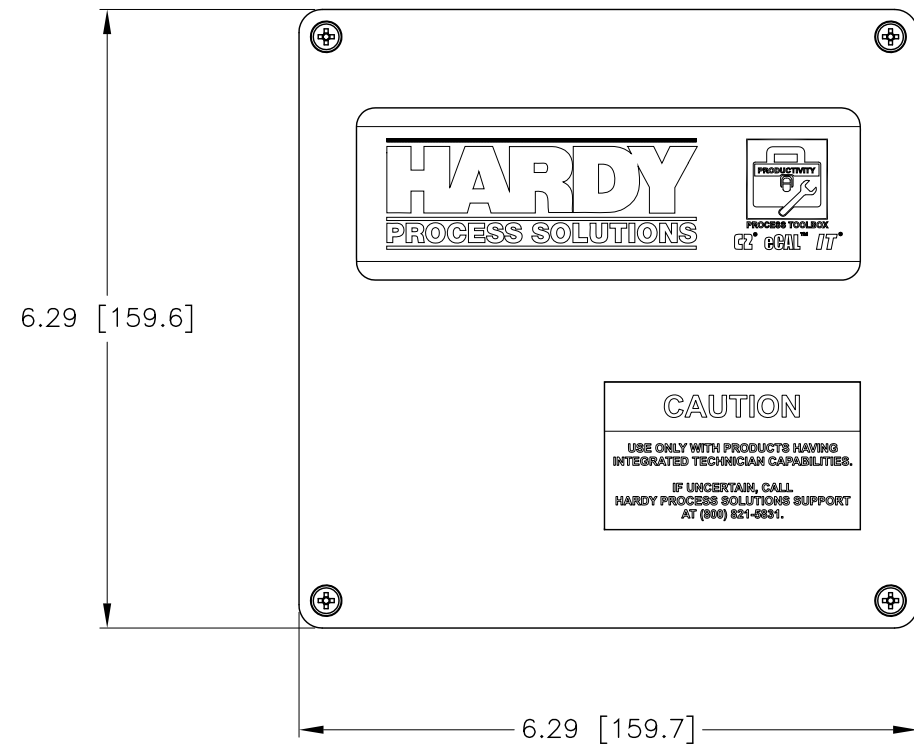
CABLE CONNECTION 3



DIMENSIONS IN INCHES [MM]

ITEM	QTY	0584-0079	I/I DIAGRAM, HI 6010IT SERIES		COMMENTS
PARTS LIST					
UNLESS OTHERWISE SPECIFIED DIMENSIONS IN INCHES [MM]		CONTRACT NO.		<p>TITLE I/I DIAGRAM, HI 6010IT SERIES</p>	
TOLERANCES:		APPROVALS			
FRACTIONS: N/A		DRAWN	DATE		
DECIMALS: .XX = \pm .03 [.8]		V. CHULA	12-13-12		
.XXX = \pm .010 [.25]		CHECKED	DATE	SIZE	
ANGLES: \pm 0°, 30°		G. CLARK	12-14-12	FSCM	
MATERIAL		APPROVED	DATE	DRAWING NO.	
FINISH		T. NORMAN	12-14-12	0584-0079	
DO NOT SCALE DRAWING		ISSUED	DATE	REV.	
		V. CHULA	12-17-12	B	
		PRODUCTION	DATE	FILE NAME: 584079B1.DWG	
				SCALE: NONE	
				SHEET 1 OF 2	

HI 6010IT SERIES POLYMER ENCLOSURE



DIMENSIONS IN INCHES [MM]



TITLE			
I/I DIAGRAM, HI 6010IT SERIES			
SIZE	FSCM	DRAWING NO.	REV.
D	21316	0584-0079	B
FILE NAME: 584079B1.DWG		SCALE: NONE	SHEET 2 OF 2