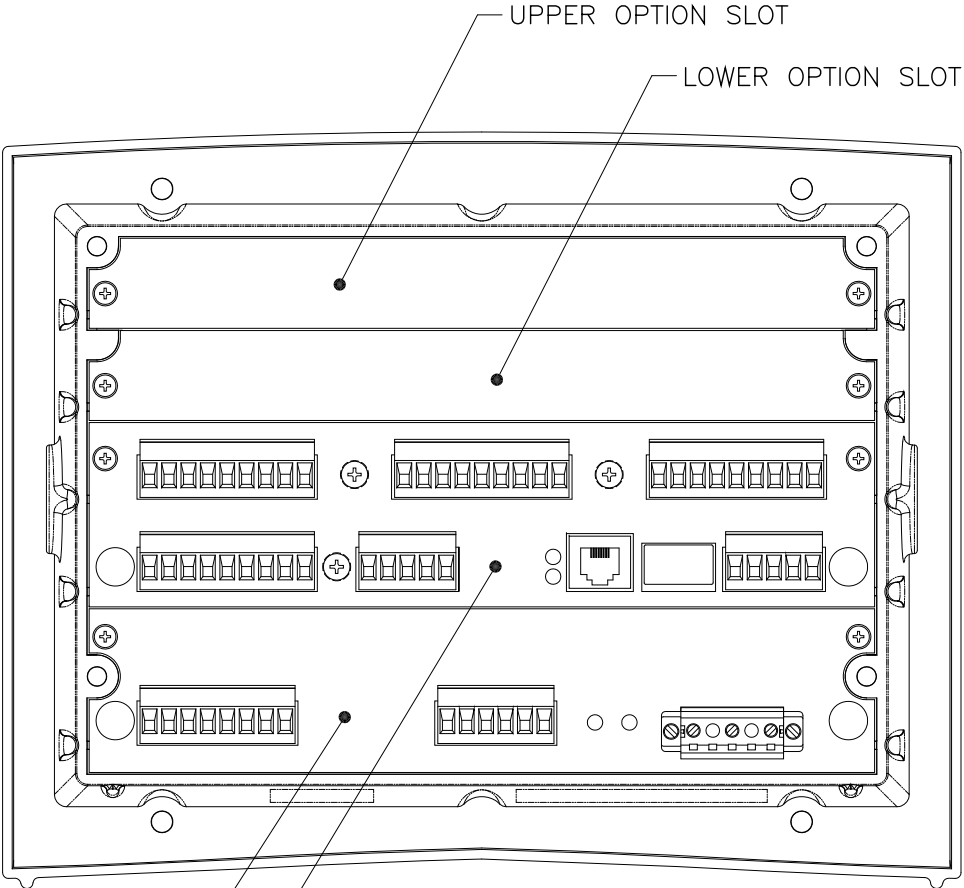
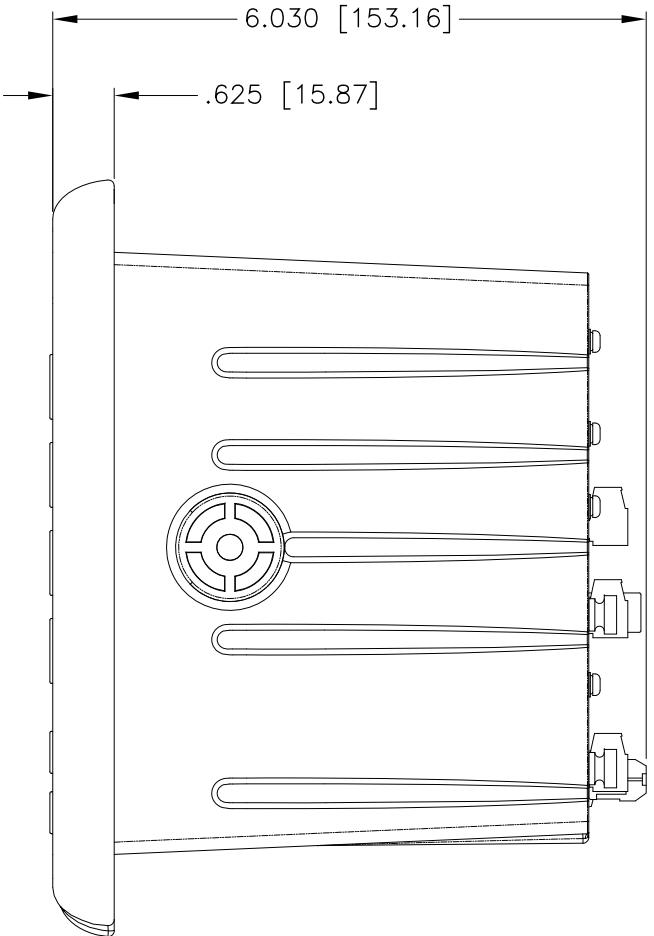
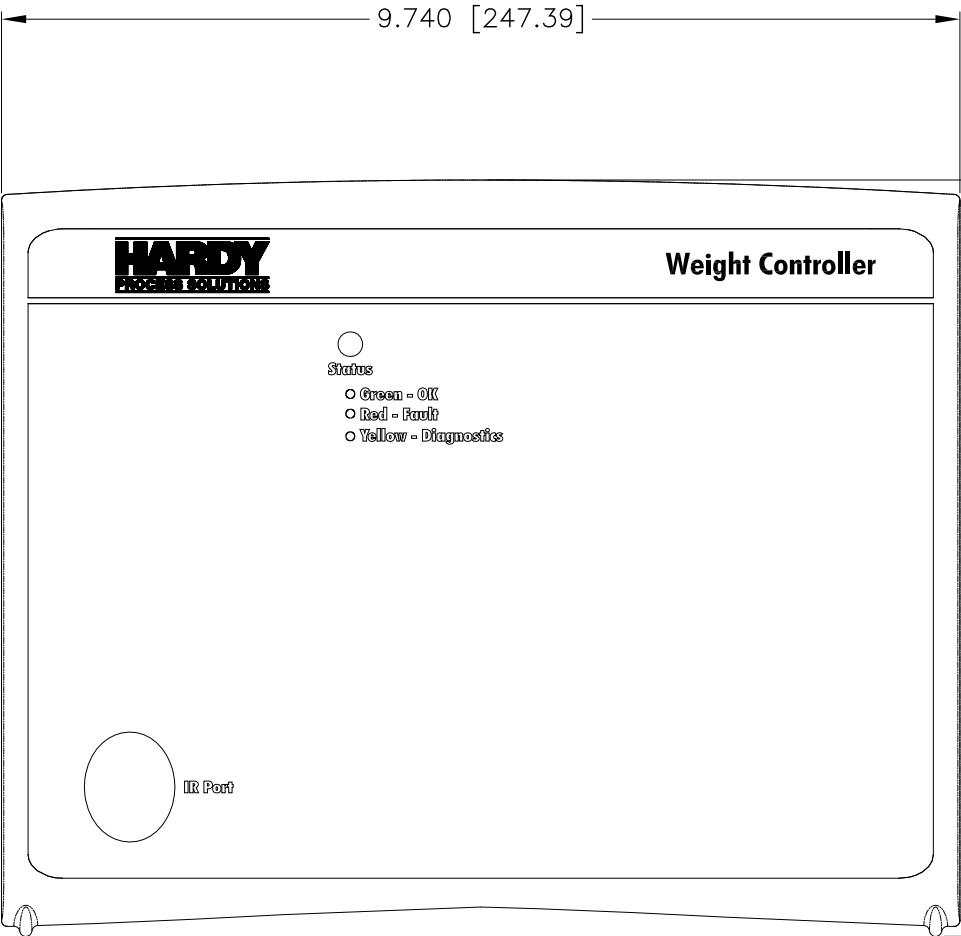


MODEL HI 3030R WEIGHT CONTROLLER

REV.	ECO/DDC	DESCRIPTION	DATE	DRAFT	CHECK	APV'D
A	----	RELEASED.	07-02-02	V.J.C.	S.N.	T.L.M.
B	08742	REVISED PER ECN.	11-21-02	S.N.	V.J.C.	T.L.M.
C	08891	REVISED PER ECN.	07-01-03	V.J.C.	S.N.	T.L.M.
D	09418	REVISED PER ECN.	11-22-04	V.J.C.	S.N.	T.K.
E	10026	REVISED PER ECN.	09-04-07	T.N.	V.J.C.	M.A.S.
F	11139	REVISED PER ECN.	08-23-13	V.J.C.	L.E.G.	V.J.C.
G	11414	REVISED PER ECN.	03-27-14	V.J.C.	L.E.G.	V.J.C.



DIMENSIONS = IN [MM]

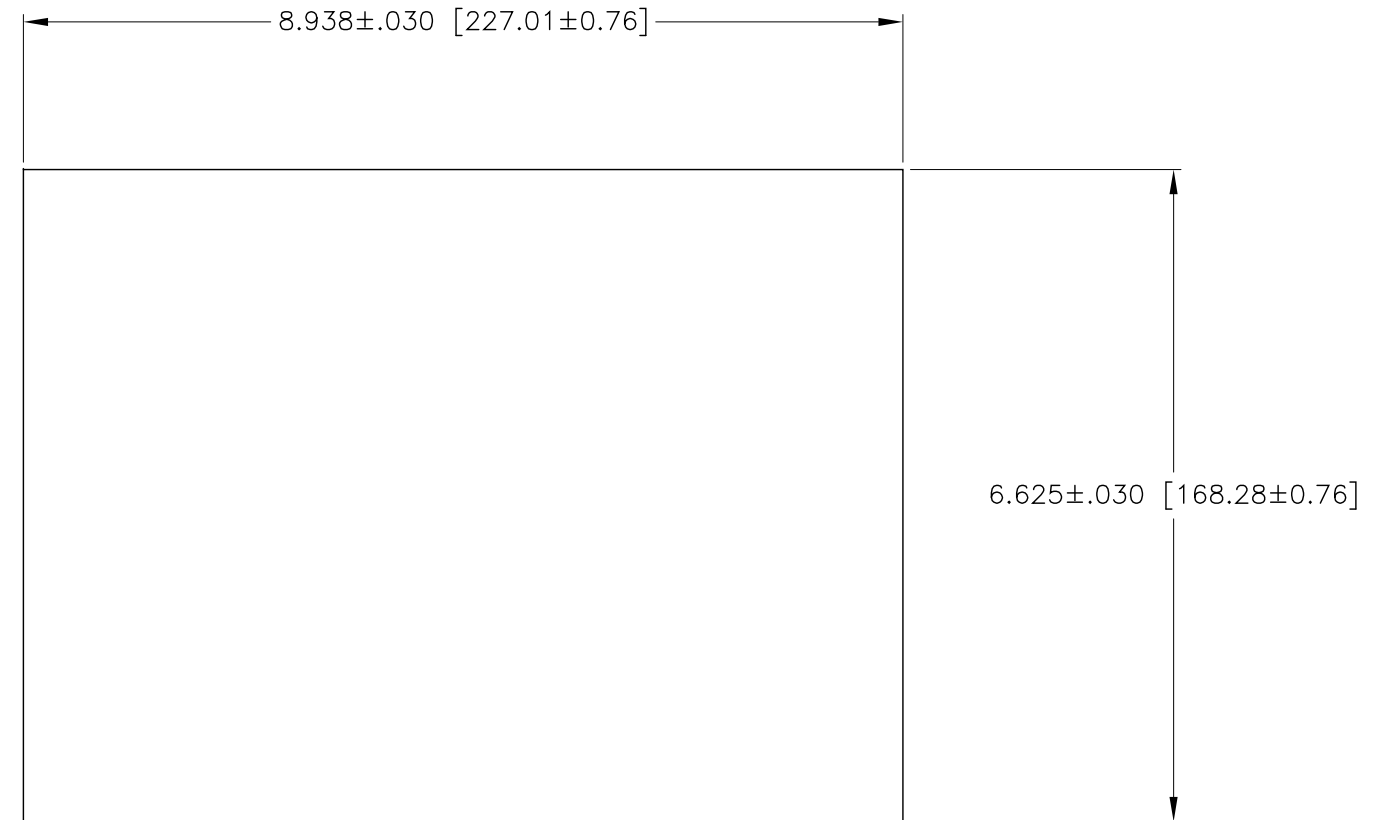
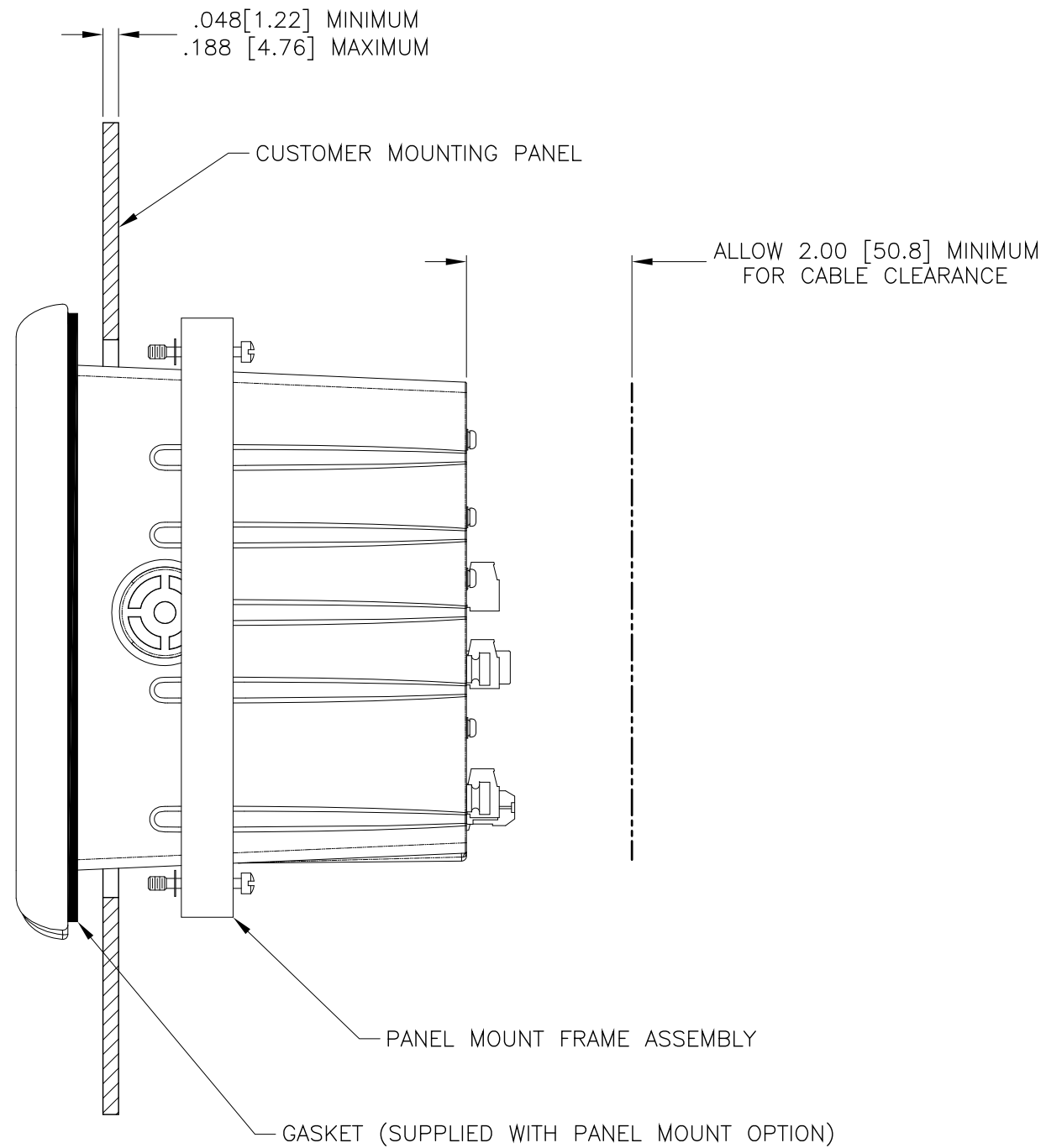
- INTERCONNECT WIRING FOR UNITS INSTALLED IN HAZARDOUS LOCATIONS TO BE PER NATIONAL ELECTRIC CODE (ANSI/NFPA-70).
- SEE SHEETS 5, 6, 7 AND 8 FOR CABLE TERMINATIONS.
- SEE SHEETS 2, 3 AND 4 FOR INSTRUMENT MOUNTING OPTIONS.
- SEE OPERATION AND INSTALLATION MANUAL FOR ADDITIONAL INFORMATION.

NOTES: UNLESS OTHERWISE SPECIFIED

PROPRIETARY NOTICE
ALL DATA AND INFORMATION CONTAINED IN OR DISCLOSED BY THIS DOCUMENT IS CONFIDENTIAL AND PROPRIETARY INFORMATION OF HARDY PROCESS SOLUTIONS INC. AND ALL RIGHTS THEREIN ARE EXPRESSLY RESERVED. BY ACCEPTING THIS MATERIAL THE RECIPIENT AGREES THAT THIS MATERIAL AND THE INFORMATION CONTAINED THEREIN IS HELD IN CONFIDENCE AND IN TRUST AND SHALL NOT BE USED, COPIED, REPRODUCED IN WHOLE OR IN PART, NOR ITS CONTENTS REVEALED IN ANY MANNER TO OTHERS, EXCEPT TO MEET THE SPECIFIC PURPOSE FOR WHICH IT WAS DELIVERED.

ITEM	QTY	0584-0050	I/I DIAGRAM, HI 3030R BLIND WEIGHT CONTROLLER		COMMENTS
PARTS LIST					
UNLESS OTHERWISE SPECIFIED DIMENSIONS ARE IN INCHES [MM]		CONTRACT NO.		<p>TITLE I/I DIAGRAM, HI 3030R BLIND REMOTE WEIGHT CONTROLLER</p>	
TOLERANCES ARE: DECIMALS: .XX = N/A .XXX = N/A ANGLES: N/A		APPROVALS			
MATERIAL		DRAWN V. CHULA	DATE 07-02-02		
FINISH		CHECKED S. NAVARRO	DATE 07-02-02		
DO NOT SCALE DRAWING		APPROVED T. McDOUGALL	DATE 07-03-02	SIZE D	FSCM 21316
		ISSUED S. NAVARRO	DATE 07-03-02	DRAWING NO. 0584-0050	REV. G
		PRODUCTION	DATE	FILE NAME: 584050G1.DWG	SCALE: NONE
				SHEET 1 OF 8	

MODEL HI 3030R WEIGHT CONTROLLER – PANEL MOUNT CONFIGURATION (OPTION PM)



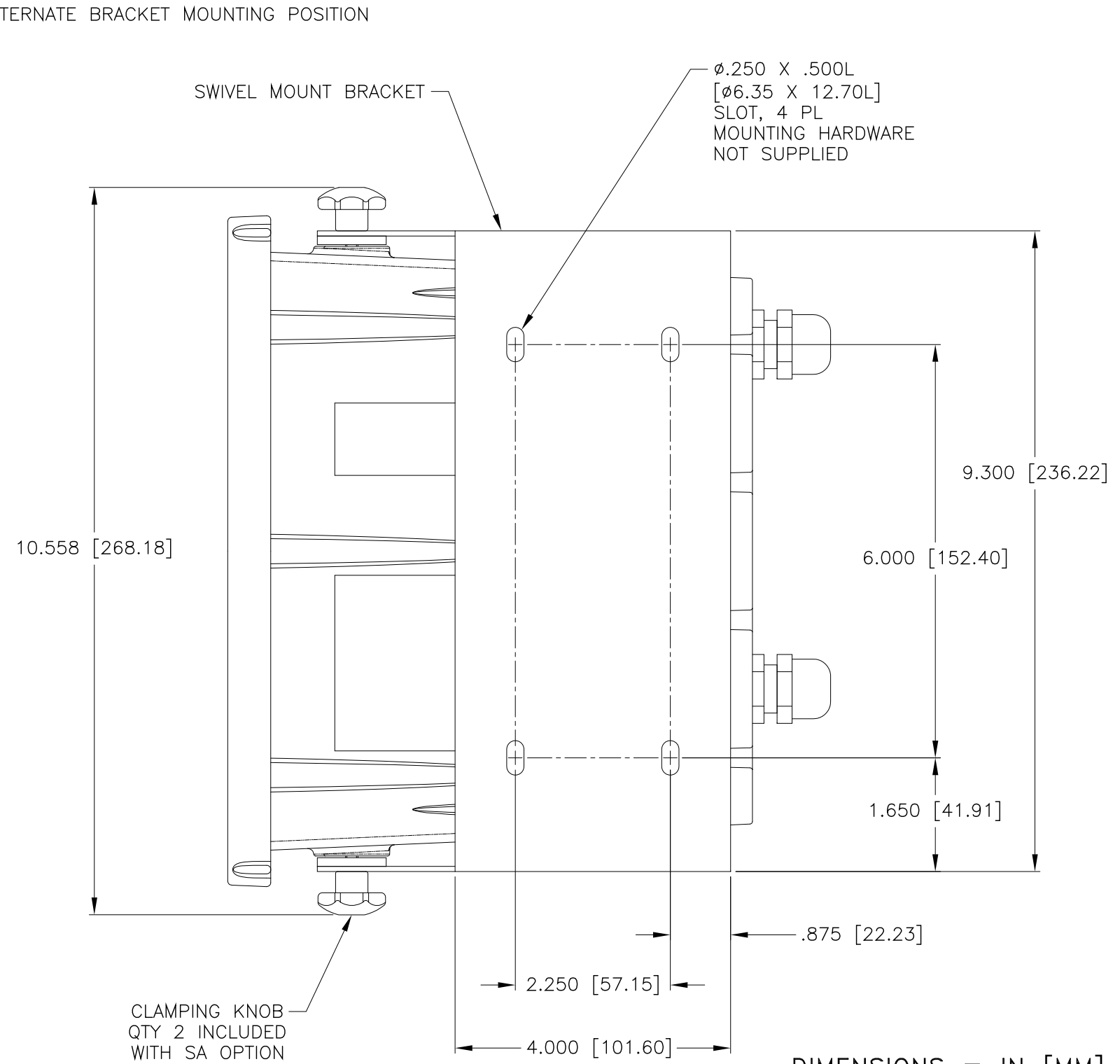
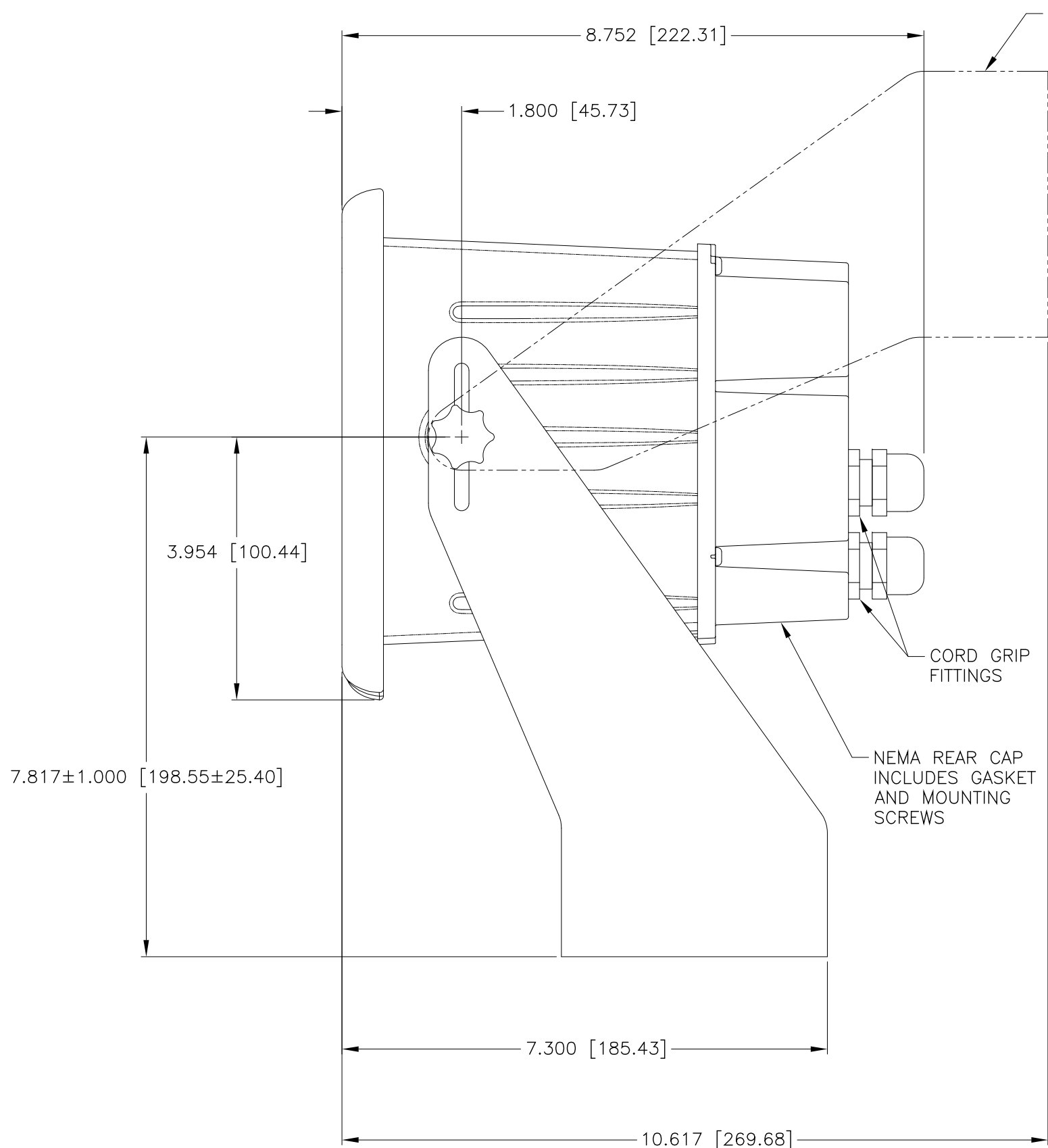
RECOMMENDED PANEL CUTOUT DIMENSIONS

DIMENSIONS = IN [MM]



TITLE			
I/I DIAGRAM, HI 3030R BLIND REMOTE WEIGHT CONTROLLER			
SIZE	FSCM	DRAWING NO.	REV.
D	21316	0584-0050	G
FILE NAME: 584050G1.DWG		SCALE: NONE	SHEET 2 OF 8

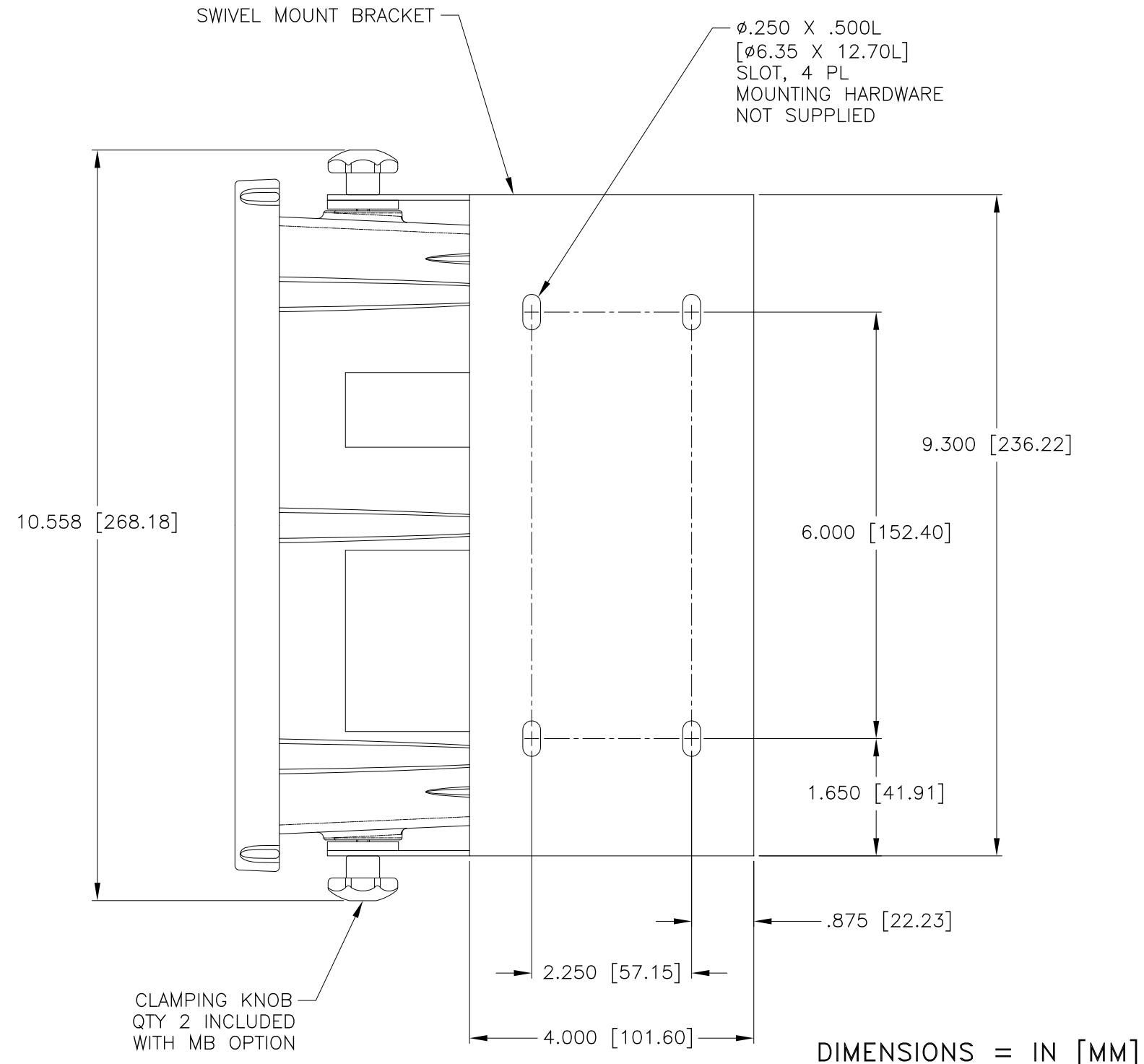
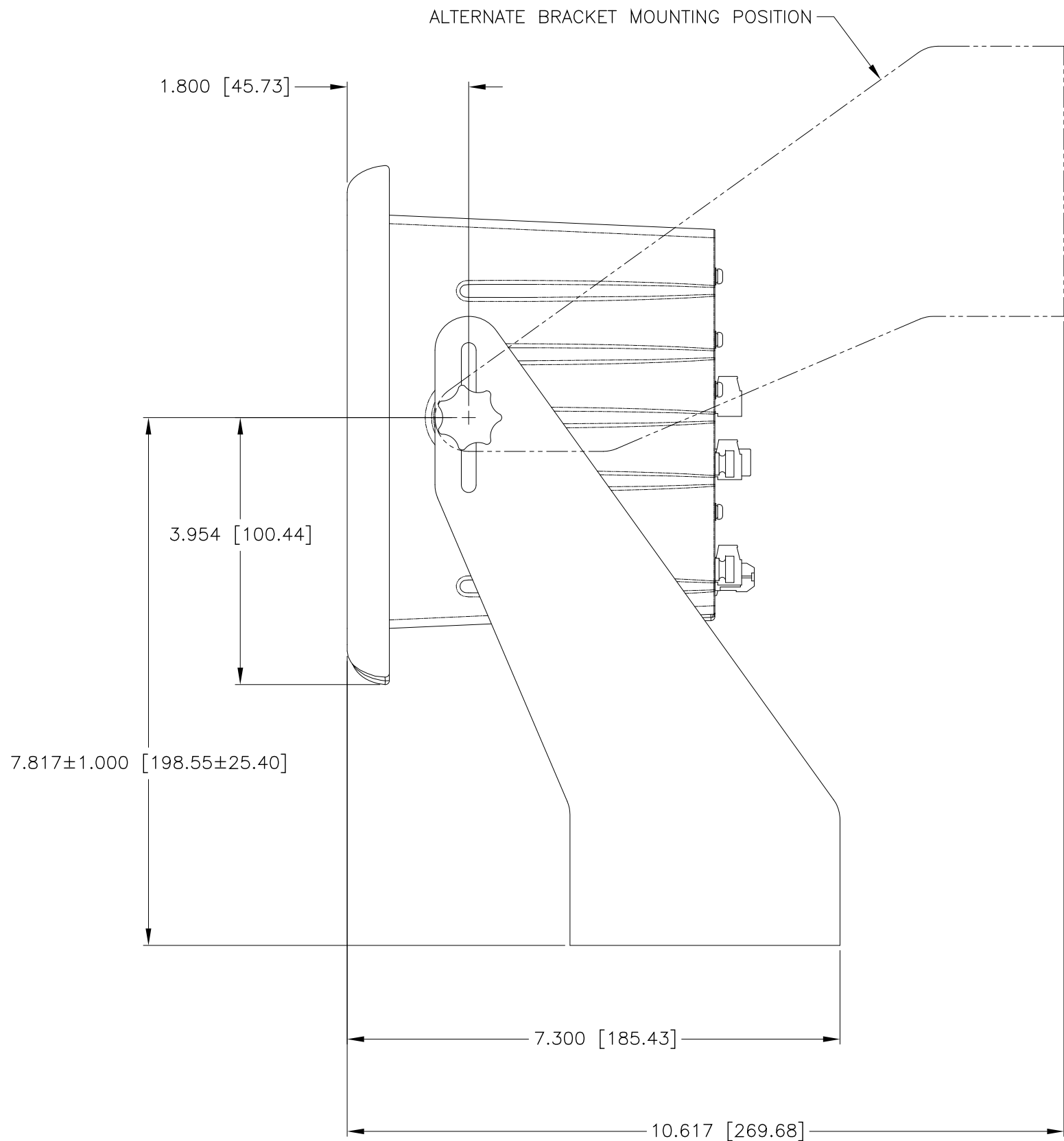
MODEL HI 3030R WEIGHT CONTROLLER STAND ALONE CONFIGURATION (OPTION SA) – WITH MOUNTING BRACKET, NEMA REAR CAP & 2 CORD GRIP FITTINGS



DIMENSIONS = IN [MM]

HARDY PROCESS SOLUTIONS			
TITLE I/I DIAGRAM, HI 3030R BLIND REMOTE WEIGHT CONTROLLER			
SIZE	FSCM	DRAWING NO.	REV.
D	21316	0584-0050	G
FILE NAME: 584050G1.DWG		SCALE: NONE	SHEET 3 OF 8

MODEL HI 3030R WEIGHT CONTROLLER – SWIVEL MOUNT BRACKET (OPTION MB)



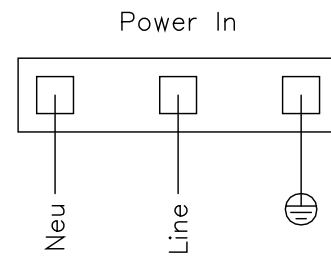
HARDY PROCESS SOLUTIONS			
TITLE I/I DIAGRAM, HI 3030R BLIND REMOTE WEIGHT CONTROLLER			
SIZE	FSCM	DRAWING NO.	REV.
D	21316	0584-0050	G
FILE NAME: 584050G1.DWG		SCALE: NONE	SHEET 4 OF 8

POWER INPUT TERMINATIONS

OPTIONS AC, AA & AD

NOTES:

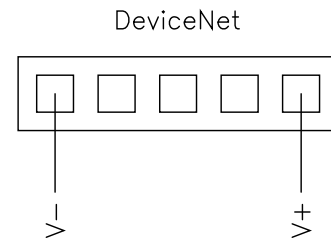
- INPUT VOLTAGE: 120–240 VAC, 50/60 Hz
0.65/0.40 AMP, 25 WATT.
- WIRE SIZE: 14 AWG MAXIMUM / 18 AWG MINIMUM.
WIRE TIGHTENING TORQUE: 2 LB-IN MINIMUM / 4 LB-IN MAXIMUM.



OPTIONS DC, DA & DD

NOTES:

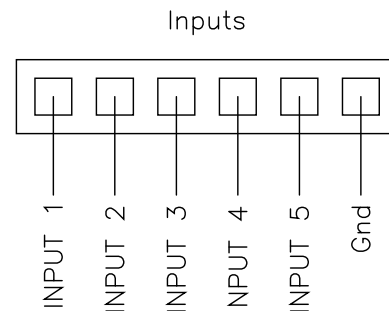
- INPUT VOLTAGE: 12–24 VDC (CLASS 2 POWER)
0.84/0.42 AMP, 25 WATT.
- WIRE SIZE: 12 AWG MAXIMUM / 22 AWG MINIMUM.
WIRE TIGHTENING TORQUE: 2 LB-IN MINIMUM / 4 LB-IN MAXIMUM.



INPUT TERMINATIONS

NOTES:

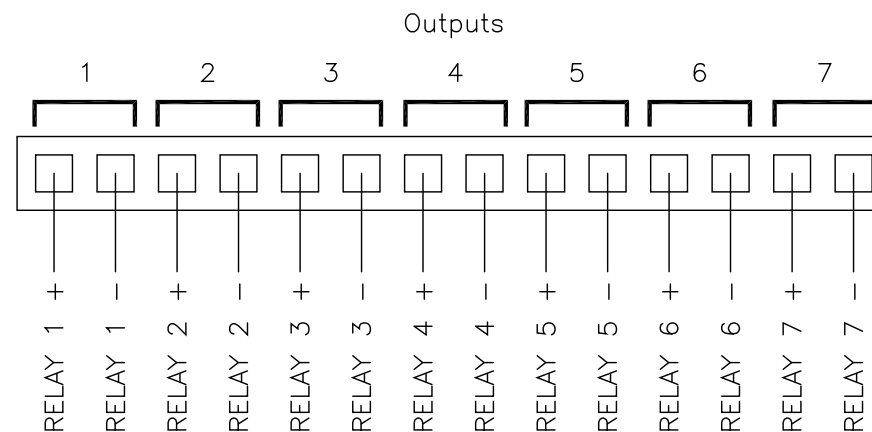
- ALL MAPPABLE
- DO NOT BUNDLE AC INPUT WIRING WITH POWER WIRING, RELAY CABLE OR ANY OTHER HIGH ENERGY CABLES.
- WIRE SIZE: 12 AWG MAXIMUM / 22 AWG MINIMUM.
WIRE TIGHTENING TORQUE: 2 LB-IN MINIMUM / 4 LB-IN MAXIMUM.



OUTPUT TERMINATIONS

NOTES:

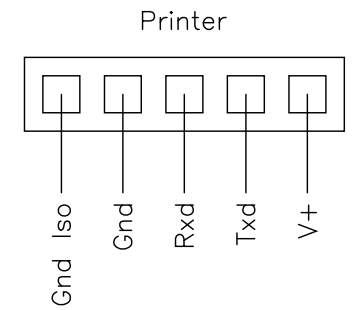
- AC RELAY CONTACT RATINGS: 24–280 VAC, .5 AMP NOMINAL
SINGLE CYCLE SURGE: 85 AMP
- DC RELAY CONTACT RATINGS: 5–60 VDC, .5 AMP NOMINAL
1 SECOND SURGE: 5 AMP
- RELAY TYPES: SOLID STATE, ALL MAPPABLE.
- WIRE SIZE: 12 AWG MAXIMUM / 22 AWG MINIMUM.
WIRE TIGHTENING TORQUE: 2 LB-IN MINIMUM / 4 LB-IN MAXIMUM.



PRINTER (RS-232) TERMINATIONS

NOTES:

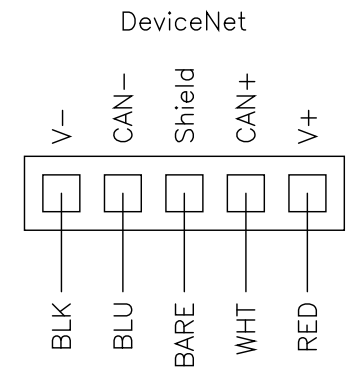
- WIRE SIZE: 12 AWG MAXIMUM / 22 AWG MINIMUM.
WIRE TIGHTENING TORQUE: 2 LB-IN MINIMUM / 4 LB-IN MAXIMUM.



DEVICENET COMMUNICATIONS

NOTES:

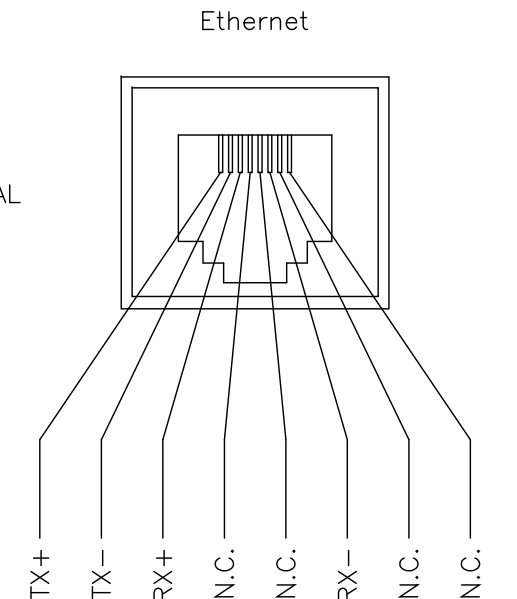
- SEE OPERATION AND INSTALLATION MANUAL FOR ADDITIONAL INFORMATION ON DEVICENET TERMINATIONS.
- WIRE SIZE: 12 AWG MAXIMUM / 22 AWG MINIMUM.
WIRE TIGHTENING TORQUE: 2 LB-IN MINIMUM / 4 LB-IN MAXIMUM.



ETHERNET TERMINATION

NOTES:

- SEE OPERATION AND INSTALLATION MANUAL FOR ADDITIONAL INFORMATION ON ETHERNET TERMINATIONS.
- CONNECTOR TYPE: RJ-45, 8 PIN
- N.C. = NOT CONNECTED.



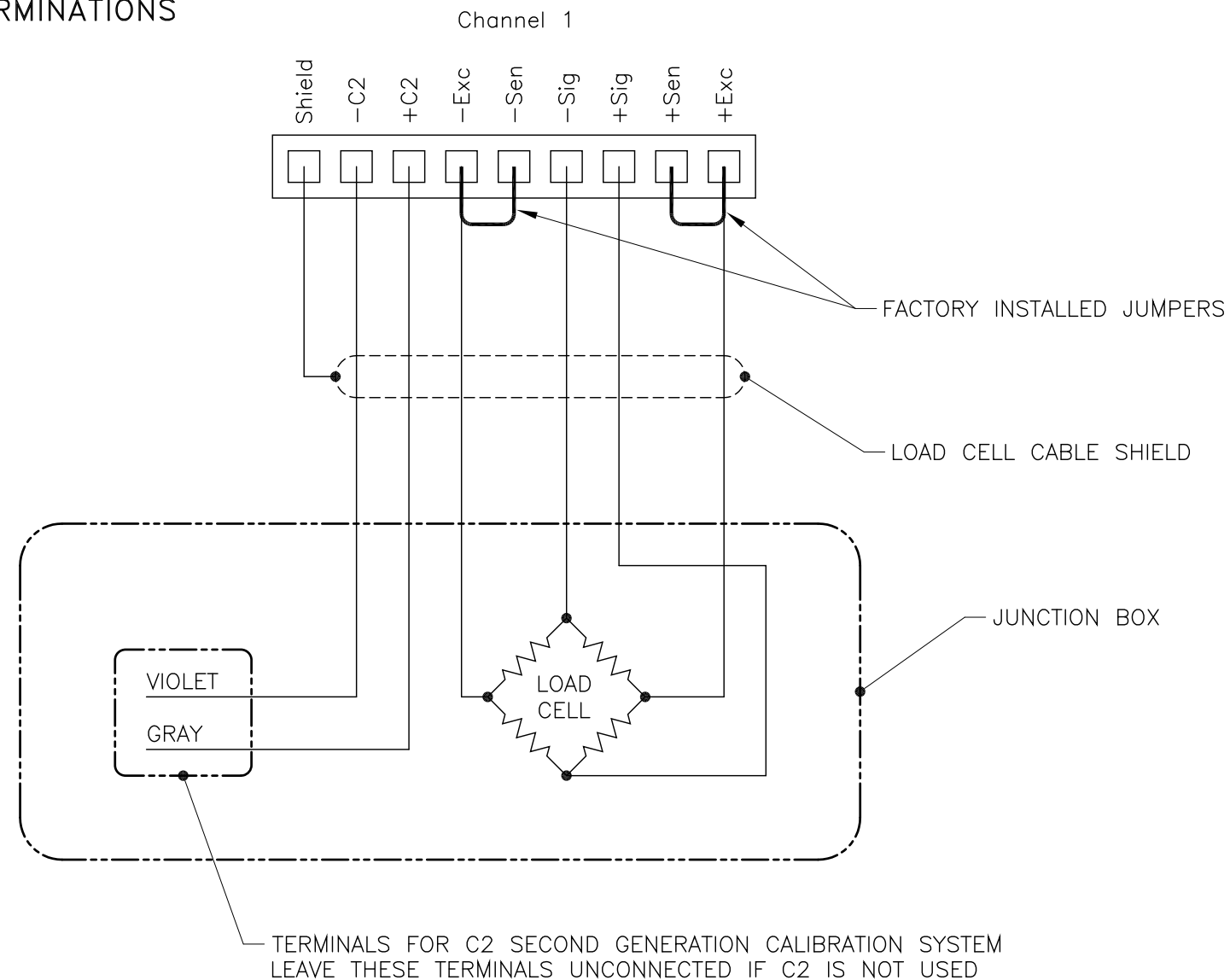
TITLE			
I/I DIAGRAM, HI 3030R BLIND REMOTE WEIGHT CONTROLLER			
SIZE	FSCM	DRAWING NO.	REV.
D	21316	0584-0050	G
FILE NAME: 584050G1.DWG		SCALE: NONE	SHEET 5 OF 8

SENSOR INPUT TERMINATIONS

OPTION LC (SINGLE LOAD CELL OR SUMMED CONNECTION FROM JUNCTION BOX)

NOTES:

1. DO NOT RUN LOAD CELL CABLE PARALLEL TO, OR IN THE SAME CONDUIT WITH POWER WIRING, RELAY CABLE OR OTHER HIGH ENERGY CABLES.
2. FACTORY INSTALLED JUMPERS TO REMAIN IN PLACE FOR FOUR WIRE LOAD CELL CONNECTION. JUMPERS TO BE REMOVED FOR SIX WIRE OR EIGHT WIRE [C2] LOAD CELL CONNECTIONS. EXCITATION AND SENSE WIRES TO BE CONNECTED TOGETHER IN JUNCTION BOX.
3. REQUIRED LOAD CELL CABLE FOR C2 SECOND GENERATION CALIBRATION SYSTEM: HARDY INSTRUMENTS PART NUMBER 6020-0001.
4. SEE USER'S GUIDE FOR ADDITIONAL INFORMATION ON ANALOG WEIGH SCALE INPUT CONNECTIONS.
5. C2 WIRE PAIR MUST BE CONNECTED WHEN USING THE HARDY INTEGRATED TECHNICIAN SUMMING CARDS.
6. WIRE SIZE: 12 AWG MAXIMUM / 22 AWG MINIMUM.
WIRE TIGHTENING TORQUE: 2 LB-IN MINIMUM / 4 LB-IN MAXIMUM.

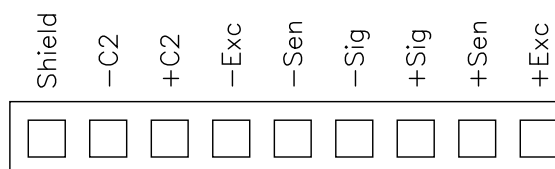


OPTION 2S (DUAL SCALE INPUT), OPTION 4S (FOUR SCALE INPUT) & OPTION JB (FOUR LOAD CELL INPUT)

NOTES:

1. DO NOT RUN LOAD CELL CABLES PARALLEL TO, OR IN THE SAME CONDUIT WITH POWER WIRING, RELAY CABLE OR OTHER HIGH ENERGY CABLES.
2. FACTORY INSTALLED JUMPERS TO REMAIN IN PLACE FOR FOUR WIRE LOAD CELL CONNECTION. JUMPERS TO BE REMOVED FOR SIX WIRE OR EIGHT WIRE (C2) LOAD CELL CONNECTIONS.
3. REQUIRED LOAD CELL CABLE FOR C2 SECOND GENERATION CALIBRATION SYSTEM: HARDY INSTRUMENTS PART NUMBER 6020-0001.
4. SEE OPERATION AND INSTALLATION MANUAL FOR ADDITIONAL INFORMATION ON LOAD CELL CONNECTIONS.
5. C2 WIRE PAIR MUST BE CONNECTED WHEN USING THE HARDY INTEGRATED TECHNICIAN SUMMING CARDS.
6. WIRE SIZE: 12 AWG MAXIMUM / 22 AWG MINIMUM.
WIRE TIGHTENING TORQUE: 2 LB-IN MINIMUM / 4 LB-IN MAXIMUM.

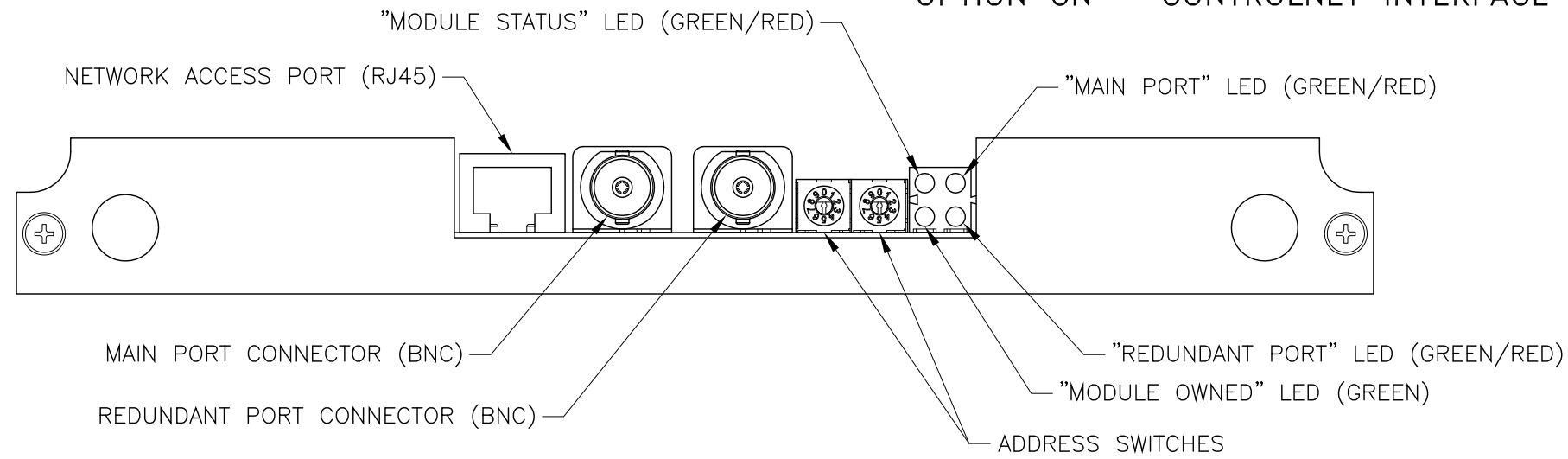
Channel 1, Channel 2, Channel 3 & Channel 4



TERMINATIONS ARE THE SAME AS OPTION LC, EXCEPT INDIVIDUAL LOAD CELLS ARE WIRED DIRECTLY TO CHANNELS 1 THROUGH 4

HARDY PROCESS SOLUTIONS			
TITLE I/I DIAGRAM, HI 3030R BLIND REMOTE WEIGHT CONTROLLER			
SIZE D	FSCM 21316	DRAWING NO. 0584-0050	REV. G
FILE NAME: 584050G1.DWG		SCALE: NONE	SHEET 6 OF 8

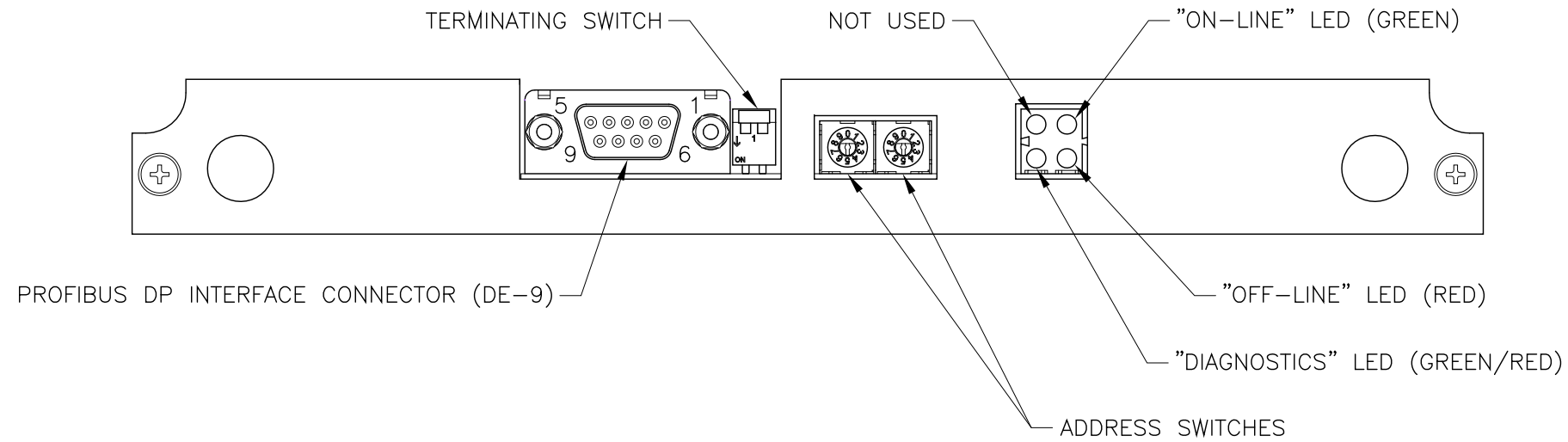
OPTION CN – CONTROLNET INTERFACE



NOTES:

1. SEE OPERATION AND INSTALLATION MANUAL FOR ADDITIONAL INFORMATION ON CONTROLNET TERMINATIONS.
2. OPTION CN CAN ONLY BE LOCATED IN THE LOWER OPTION SLOT.

OPTION PB – PROFIBUS DP I/O INTERFACE



NOTES:

1. SEE OPERATION AND INSTALLATION MANUAL FOR ADDITIONAL INFORMATION ON PROFIBUS DP I/O INTERFACE TERMINATIONS.
2. OPTION PB CAN ONLY BE LOCATED IN THE LOWER OPTION SLOT.

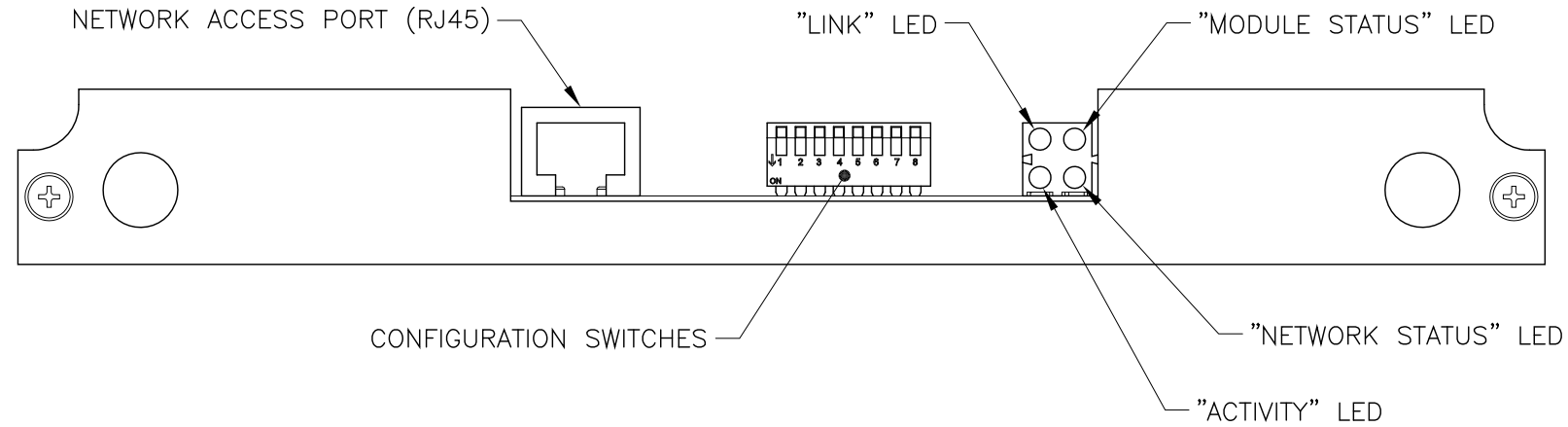
PROFIBUS INTERFACE CONNECTOR TERMINATIONS

PIN	SIGNAL	PIN	SIGNAL	PIN	SIGNAL
1	NO CONNECT	4	RTS	7	NO CONNECT
2	NO CONNECT	5	GND BUS	8	RXD/TXD -
3	RXD/TXD +	6	+5V BUS	9	NO CONNECT



TITLE			
I/I DIAGRAM, HI 3030R BLIND REMOTE WEIGHT CONTROLLER			
SIZE	FSCM	DRAWING NO.	REV.
D	21316	0584-0050	G
FILE NAME: 584050G1.DWG		SCALE: NONE	SHEET 7 OF 8

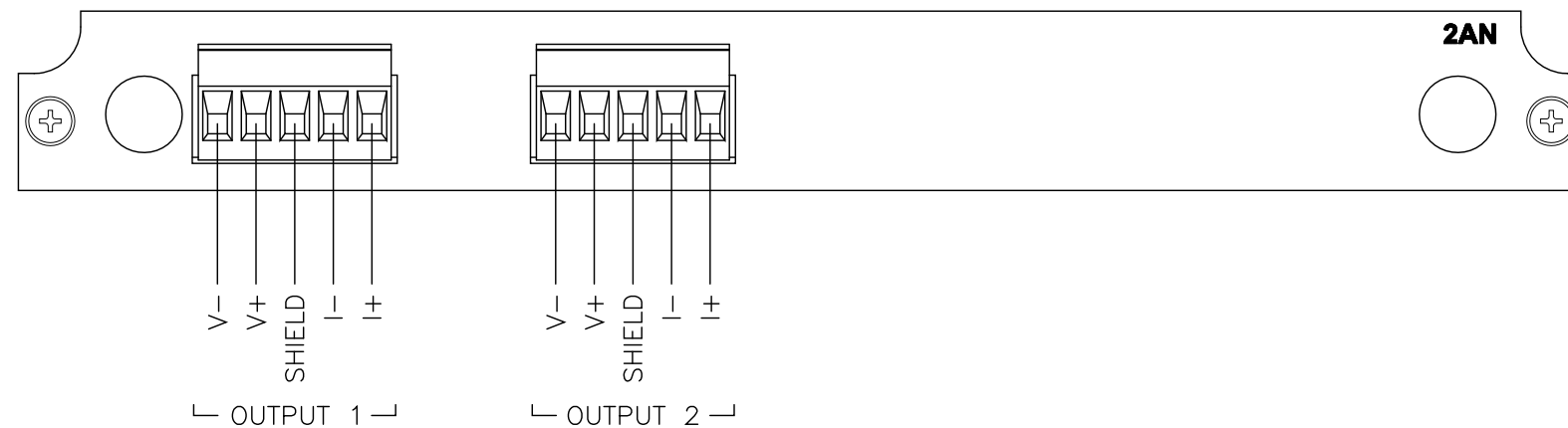
OPTION EIP – ETHERNET/IP INTERFACE



NOTES:

1. SEE OPERATION AND INSTALLATION MANUAL FOR ADDITIONAL INFORMATION ON CONTROLNET TERMINATIONS.
2. OPTION EIP CAN BE LOCATED IN EITHER THE UPPER OPTION SLOT OR LOWER OPTION SLOT.

OPTION 2AN – DUAL ANALOG OUTPUT



NOTES:

1. SEE OPERATION AND INSTALLATION MANUAL FOR ADDITIONAL INFORMATION ON ANALOG OUTPUT TERMINATIONS.
2. OPTION 2AN CAN BE LOCATED IN EITHER THE UPPER OPTION SLOT OR LOWER OPTION SLOT, OR IN BOTH OPTION SLOTS.
3. WIRE SIZE: 12 AWG MAXIMUM / 22 AWG MINIMUM.
WIRE TIGHTENING TORQUE: 2 LB-IN MINIMUM / 4 LB-IN MAXIMUM.



TITLE			
I/I DIAGRAM, HI 3030R BLIND REMOTE WEIGHT CONTROLLER			
SIZE	FSCM	DRAWING NO.	REV.
D	21316	0584-0050	G
FILE NAME: 584050G1.DWG		SCALE: NONE	SHEET 8 OF 8