

REV.	ECO/DDC	DESCRIPTION	DATE	DRAFT	CHECK	APV'D
A	----	RELEASED.	03-02-04	S.N.	V.J.C.	D.C.

6. SEE SHEETS 2, 3 AND 4 FOR ADDITIONAL INFORMATION.

5. MINI SUMMING CARD, HARDY PART NUMBER 0535-0513-01, INSTALLED INSIDE INTERNAL JUNCTION BOX. SEE SHEET 4 FOR WIRING DIAGRAM.

4. SCALE CABLE, HARDY PART NUMBER 6020-0001, IS 8 CONDUCTOR, SHIELDED AND 20 FEET ± 2.00 INCHES IN LENGTH.

3. C2 WIRE COLOR CODE FLAG LABEL, ON END OF CABLE.


EXCITATION +	RED
EXCITATION -	BLACK
SENSE +	BLUE
SENSE -	BROWN
SIGNAL +	GREEN
SIGNAL -	WHITE
C2 +	GRAY
C2 -	VIOLET
SHIELD	YELLOW OR BARE

2. THIS DRAWING IS SUBJECT TO CHANGE WITHOUT NOTICE.

1. RATED OUTPUT: 1.000mV/V NOMINAL.

NOTES: UNLESS OTHERWISE SPECIFIED

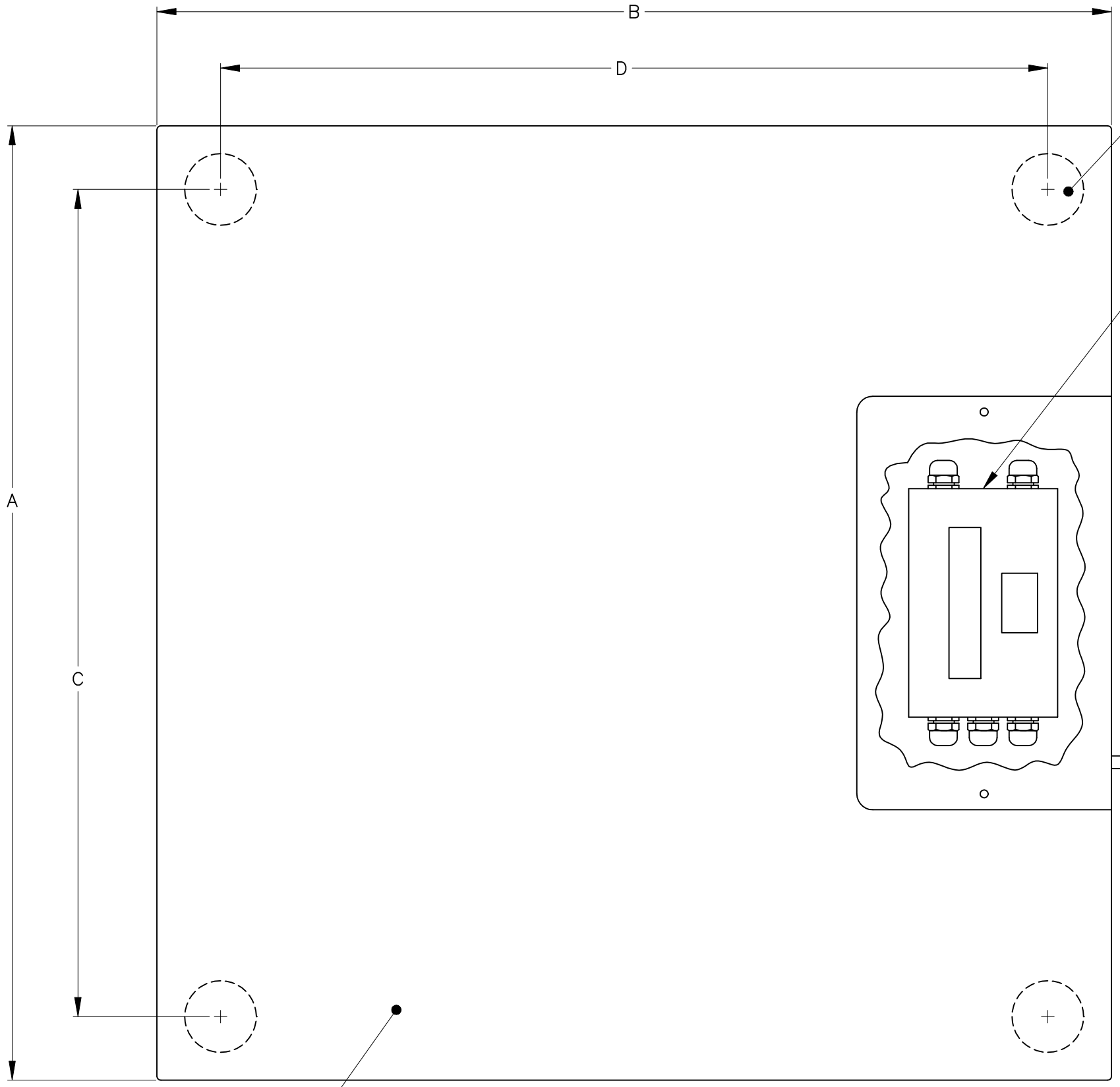
PROPRIETARY NOTICE
 ALL DATA AND INFORMATION CONTAINED IN OR DISCLOSED BY THIS DOCUMENT IS CONFIDENTIAL AND PROPRIETARY INFORMATION OF HARDY INSTRUMENTS INC. AND ALL RIGHTS THEREIN ARE EXPRESSLY RESERVED. BY ACCEPTING THIS MATERIAL THE RECIPIENT AGREES THAT THIS MATERIAL AND THE INFORMATION CONTAINED THEREIN IS HELD IN CONFIDENCE AND IN TRUST AND SHALL NOT BE USED, COPIED, REPRODUCED IN WHOLE OR IN PART, NOR ITS CONTENTS REVEALED IN ANY MANNER TO OTHERS, EXCEPT TO MEET THE SPECIFIC PURPOSE FOR WHICH IT WAS DELIVERED.

ITEM	QTY	PART NUMBER	DESCRIPTION	COMMENTS
PARTS LIST				
UNLESS OTHERWISE SPECIFIED DIMENSIONS ARE IN INCHES		CONTRACT NO.		 TITLE OUTLINE DRAWING, ANY-WEIGH FLOOR SCALES
TOLERANCES ARE: DECIMALS: NOMINAL ANGLES: N/A		APPROVALS		
MATERIAL		DRAWN S. NAVARRO CHECKED V. CHULA APPROVED D. CORNWELL	DATE 02-25-04 DATE 03-02-04 DATE 03-02-04	
FINISH		ISSUED S. NAVARRO PRODUCTION	DATE 03-02-04 DATE	
DO NOT SCALE DRAWING		SIZE	FSCM	DRAWING NO.
		D	21316	0588-0098
		REV.	A	
		FILE NAME:	588098A1.DWG	SCALE: NONE
		SHEET 1 OF 4		

MODEL NUMBER CONFIGURATION CHART								
MODEL NUMBER	CAPACITY (LBS)	DIMENSION A	DIMENSION B	DIMENSION C	DIMENSION D	SCALE MATERIAL	DECK TYPE	LOAD SENSOR MODEL NUMBER
HI AFSU303001-41T	1000	30 IN	30 IN	26 IN	26 IN	PAINTED STEEL	TREAD	HI SBHF14-500 (QTY 4)
HI AFSU303001-41S	1000	30 IN	30 IN	26 IN	26 IN	PAINTED STEEL	SMOOTH	HI SBHF14-500 (QTY 4)
HI AFSU303001-43T	1000	30 IN	30 IN	26 IN	26 IN	STAINLESS STEEL	TREAD	HI SBHF14-500 (QTY 4)
HI AFSU303001-43S	1000	30 IN	30 IN	26 IN	26 IN	STAINLESS STEEL	SMOOTH	HI SBHF14-500 (QTY 4)
HI AFSU3301-41T	1000	3 FT	3 FT	32 IN	32 IN	PAINTED STEEL	TREAD	HI SBHF14-500 (QTY 4)
HI AFSU3301-41S	1000	3 FT	3 FT	32 IN	32 IN	PAINTED STEEL	SMOOTH	HI SBHF14-500 (QTY 4)
HI AFSU3301-43T	1000	3 FT	3 FT	32 IN	32 IN	STAINLESS STEEL	TREAD	HI SBHF14-500 (QTY 4)
HI AFSU3301-43S	1000	3 FT	3 FT	32 IN	32 IN	STAINLESS STEEL	SMOOTH	HI SBHF14-500 (QTY 4)
HI AFSU3302-41T	2000	3 FT	3 FT	32 IN	32 IN	PAINTED STEEL	TREAD	HI SBHF14-1K (QTY 4)
HI AFSU3302-41S	2000	3 FT	3 FT	32 IN	32 IN	PAINTED STEEL	SMOOTH	HI SBHF14-1K (QTY 4)
HI AFSU3302-43T	2000	3 FT	3 FT	32 IN	32 IN	STAINLESS STEEL	TREAD	HI SBHF14-1K (QTY 4)
HI AFSU3302-43S	2000	3 FT	3 FT	32 IN	32 IN	STAINLESS STEEL	SMOOTH	HI SBHF14-1K (QTY 4)
HI AFSU4402-41T	2000	4 FT	4 FT	44 IN	44 IN	PAINTED STEEL	TREAD	HI SBHF14-1K (QTY 4)
HI AFSU4402-41S	2000	4 FT	4 FT	44 IN	44 IN	PAINTED STEEL	SMOOTH	HI SBHF14-1K (QTY 4)
HI AFSU4402-43T	2000	4 FT	4 FT	44 IN	44 IN	STAINLESS STEEL	TREAD	HI SBHF14-1K (QTY 4)
HI AFSU4402-43S	2000	4 FT	4 FT	44 IN	44 IN	STAINLESS STEEL	SMOOTH	HI SBHF14-1K (QTY 4)
HI AFSU4405-41T	5000	4 FT	4 FT	44 IN	44 IN	PAINTED STEEL	TREAD	HI SBHF14-2.5K (QTY 4)
HI AFSU4405-41S	5000	4 FT	4 FT	44 IN	44 IN	PAINTED STEEL	SMOOTH	HI SBHF14-2.5K (QTY 4)
HI AFSU4405-43T	5000	4 FT	4 FT	44 IN	44 IN	STAINLESS STEEL	TREAD	HI SBHF14-2.5K (QTY 4)
HI AFSU4405-43S	5000	4 FT	4 FT	44 IN	44 IN	STAINLESS STEEL	SMOOTH	HI SBHF14-2.5K (QTY 4)
HI AFSU4410-41T	10000	4 FT	4 FT	44 IN	44 IN	PAINTED STEEL	TREAD	HI SBHF14-5K (QTY 4)
HI AFSU4410-41S	10000	4 FT	4 FT	44 IN	44 IN	PAINTED STEEL	SMOOTH	HI SBHF14-5K (QTY 4)
HI AFSU4410-43T	10000	4 FT	4 FT	44 IN	44 IN	STAINLESS STEEL	TREAD	HI SBHF14-5K (QTY 4)
HI AFSU4410-43S	10000	4 FT	4 FT	44 IN	44 IN	STAINLESS STEEL	SMOOTH	HI SBHF14-5K (QTY 4)
HI AFSU4505-41T	5000	4 FT	5 FT	44 IN	56 IN	PAINTED STEEL	TREAD	HI SBHF14-2.5K (QTY 4)
HI AFSU4505-41S	5000	4 FT	5 FT	44 IN	56 IN	PAINTED STEEL	SMOOTH	HI SBHF14-2.5K (QTY 4)
HI AFSU4505-43T	5000	4 FT	5 FT	44 IN	56 IN	STAINLESS STEEL	TREAD	HI SBHF14-2.5K (QTY 4)
HI AFSU4505-43S	5000	4 FT	5 FT	44 IN	56 IN	STAINLESS STEEL	SMOOTH	HI SBHF14-2.5K (QTY 4)
HI AFSU4510-41T	10000	4 FT	5 FT	44 IN	56 IN	PAINTED STEEL	TREAD	HI SBHF14-5K (QTY 4)
HI AFSU4510-41S	10000	4 FT	5 FT	44 IN	56 IN	PAINTED STEEL	SMOOTH	HI SBHF14-5K (QTY 4)
HI AFSU4510-43T	10000	4 FT	5 FT	44 IN	56 IN	STAINLESS STEEL	TREAD	HI SBHF14-5K (QTY 4)
HI AFSU4510-43S	10000	4 FT	5 FT	44 IN	56 IN	STAINLESS STEEL	SMOOTH	HI SBHF14-5K (QTY 4)
HI AFSU4605-41T	5000	4 FT	6 FT	44 IN	68 IN	PAINTED STEEL	TREAD	HI SBHF14-2.5K (QTY 4)
HI AFSU4605-41S	5000	4 FT	6 FT	44 IN	68 IN	PAINTED STEEL	SMOOTH	HI SBHF14-2.5K (QTY 4)
HI AFSU4605-43T	5000	4 FT	6 FT	44 IN	68 IN	STAINLESS STEEL	TREAD	HI SBHF14-2.5K (QTY 4)
HI AFSU4605-43S	5000	4 FT	6 FT	44 IN	68 IN	STAINLESS STEEL	SMOOTH	HI SBHF14-2.5K (QTY 4)
HI AFSU4610-41T	10000	4 FT	6 FT	44 IN	68 IN	PAINTED STEEL	TREAD	HI SBHF14-5K (QTY 4)
HI AFSU4610-41S	10000	4 FT	6 FT	44 IN	68 IN	PAINTED STEEL	SMOOTH	HI SBHF14-5K (QTY 4)
HI AFSU4610-43T	10000	4 FT	6 FT	44 IN	68 IN	STAINLESS STEEL	TREAD	HI SBHF14-5K (QTY 4)
HI AFSU4610-43S	10000	4 FT	6 FT	44 IN	68 IN	STAINLESS STEEL	SMOOTH	HI SBHF14-5K (QTY 4)
HI AFSU5505-41T	5000	5 FT	5 FT	56 IN	56 IN	PAINTED STEEL	TREAD	HI SBHF14-2.5K (QTY 4)
HI AFSU5505-41S	5000	5 FT	5 FT	56 IN	56 IN	PAINTED STEEL	SMOOTH	HI SBHF14-2.5K (QTY 4)
HI AFSU5505-43T	5000	5 FT	5 FT	56 IN	56 IN	STAINLESS STEEL	TREAD	HI SBHF14-2.5K (QTY 4)
HI AFSU5505-43S	5000	5 FT	5 FT	56 IN	56 IN	STAINLESS STEEL	SMOOTH	HI SBHF14-2.5K (QTY 4)
HI AFSU5510-41T	10000	5 FT	5 FT	56 IN	56 IN	PAINTED STEEL	TREAD	HI SBHF14-5K (QTY 4)
HI AFSU5510-41S	10000	5 FT	5 FT	56 IN	56 IN	PAINTED STEEL	SMOOTH	HI SBHF14-5K (QTY 4)
HI AFSU5510-43T	10000	5 FT	5 FT	56 IN	56 IN	STAINLESS STEEL	TREAD	HI SBHF14-5K (QTY 4)
HI AFSU5510-43S	10000	5 FT	5 FT	56 IN	56 IN	STAINLESS STEEL	SMOOTH	HI SBHF14-5K (QTY 4)
HI AFSU5705-41T	5000	5 FT	7 FT	56 IN	80 IN	PAINTED STEEL	TREAD	HI SBHF14-2.5K (QTY 4)
HI AFSU5705-41S	5000	5 FT	7 FT	56 IN	80 IN	PAINTED STEEL	SMOOTH	HI SBHF14-2.5K (QTY 4)
HI AFSU5705-43T	5000	5 FT	7 FT	56 IN	80 IN	STAINLESS STEEL	TREAD	HI SBHF14-2.5K (QTY 4)
HI AFSU5705-43S	5000	5 FT	7 FT	56 IN	80 IN	STAINLESS STEEL	SMOOTH	HI SBHF14-2.5K (QTY 4)
HI AFSU5710-41T	10000	5 FT	7 FT	56 IN	80 IN	PAINTED STEEL	TREAD	HI SBHF14-5K (QTY 4)
HI AFSU5710-41S	10000	5 FT	7 FT	56 IN	80 IN	PAINTED STEEL	SMOOTH	HI SBHF14-5K (QTY 4)
HI AFSU5710-43T	10000	5 FT	7 FT	56 IN	80 IN	STAINLESS STEEL	TREAD	HI SBHF14-5K (QTY 4)
HI AFSU5710-43S	10000	5 FT	7 FT	56 IN	80 IN	STAINLESS STEEL	SMOOTH	HI SBHF14-5K (QTY 4)
HI AFSU6810-41T	10000	6 FT	8 FT	68 IN	92 IN	PAINTED STEEL	TREAD	HI SBHF14-5K (QTY 4)
HI AFSU6810-41S	10000	6 FT	8 FT	68 IN	92 IN	PAINTED STEEL	SMOOTH	HI SBHF14-5K (QTY 4)
HI AFSU6810-43T	10000	6 FT	8 FT	68 IN	92 IN	STAINLESS STEEL	TREAD	HI SBHF14-5K (QTY 4)
HI AFSU6810-43S	10000	6 FT	8 FT	68 IN	92 IN	STAINLESS STEEL	SMOOTH	HI SBHF14-5K (QTY 4)

Maximum capacity (E_{max})	Pounds (Force)	1000, 2000, 5000, 10000
Rated Output (R.O.) at Rated Capacity	mV/V	1.000 Nominal
C2 Error	%R.O. lb (Force)	<0.10
Combined error	%R.O.	0.030
Creep error (30 minutes)	%R.O.	0.030
Temperature effect on minimum dead load output	%R.O./°F	0.0015
Temperature effect on sensitivity	% °F	0.0008
Excitation Voltage (V_{max})	V	5
Input resistance	Ω	275 \pm 10
Output resistance	Ω	250 \pm 5
Insulation resistance (@ 50VDC)	G Ω	5
Compensated temperature range	°C	-10...+40
Operating temperature range	°C	-10...+65
Safe load limit	% E_{max}	300
Ultimate load	% E_{max}	400
Safe side load	% E_{max}	100

HARDY INSTRUMENTS			
TITLE OUTLINE DRAWING, ANY-WEIGH FLOOR SCALES			
SIZE D	FSCM 21316	DRAWING NO. 0588-0098	REV. A
FILE NAME: 588098A1.DWG		SCALE: NONE	SHEET 2 OF 4



SCALE DECK

Ø2.25
FOOT, 4 PL
FAR SIDE

INTERNAL
JUNCTION
BOX

SCALE CABLE
20.00 FT ±2.00 IN
MEASURED AT EXIT
POINT ON SCALE

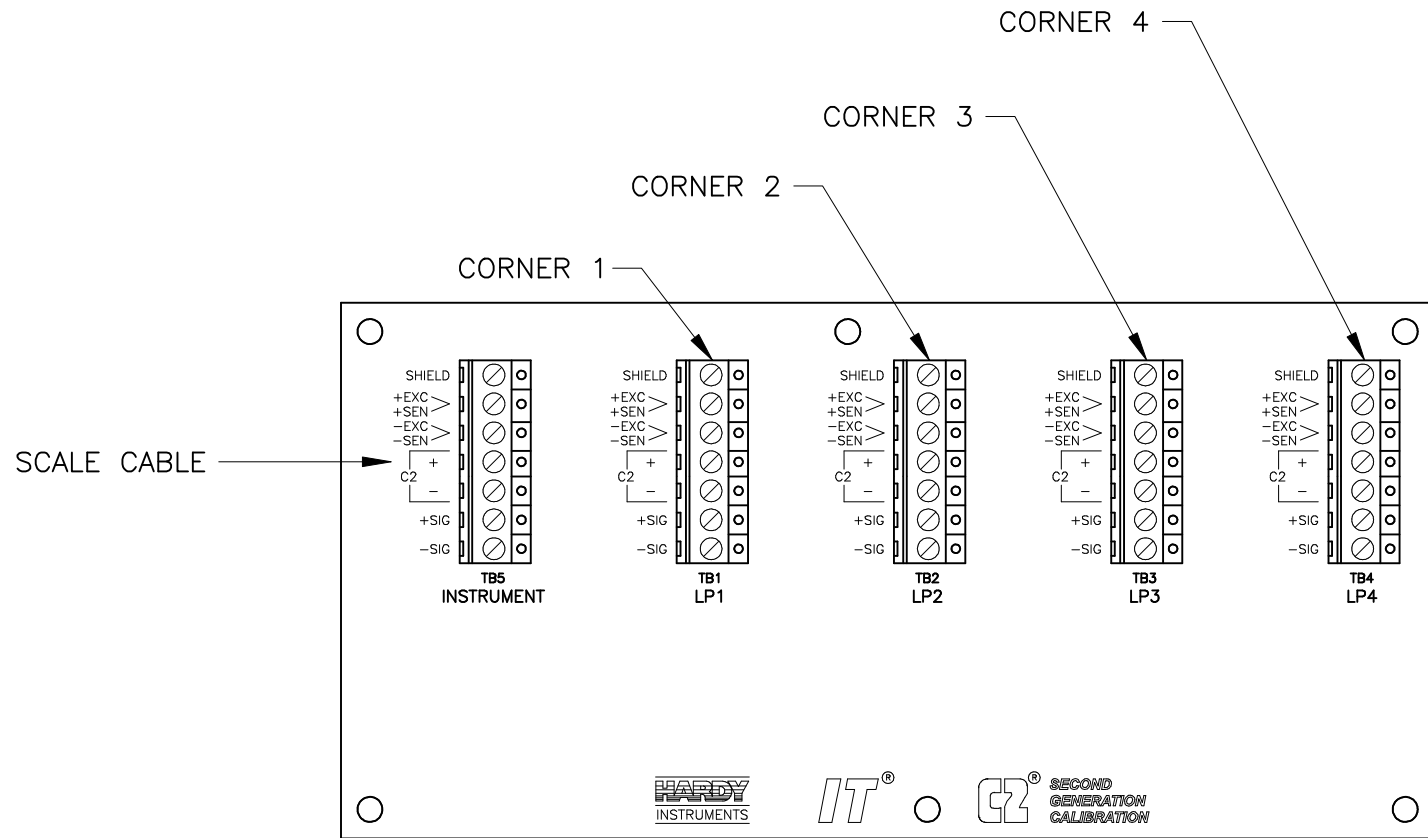
4

3

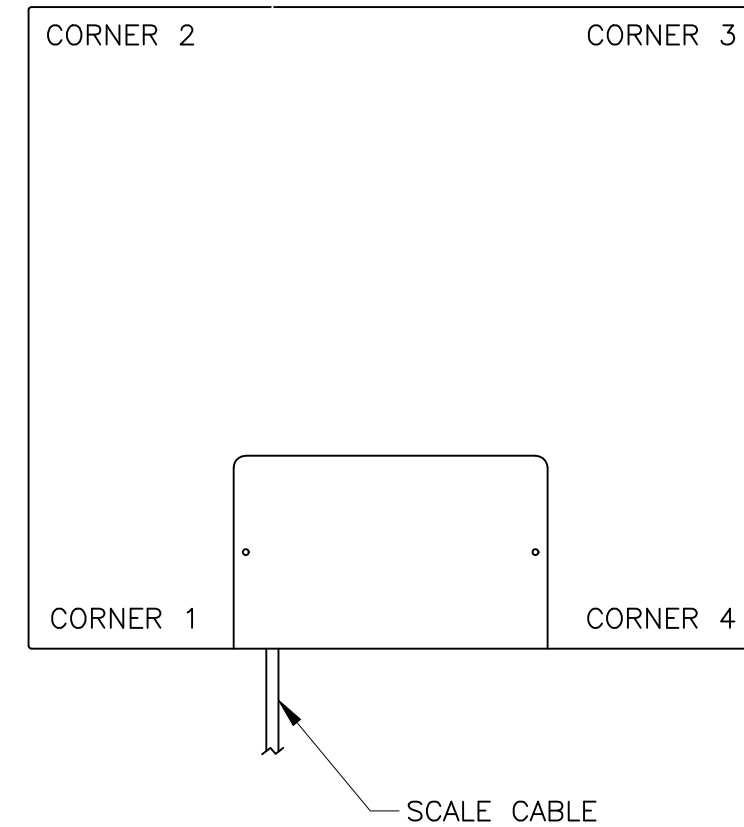
3.275
3.000

SCALE CABLE EXIT

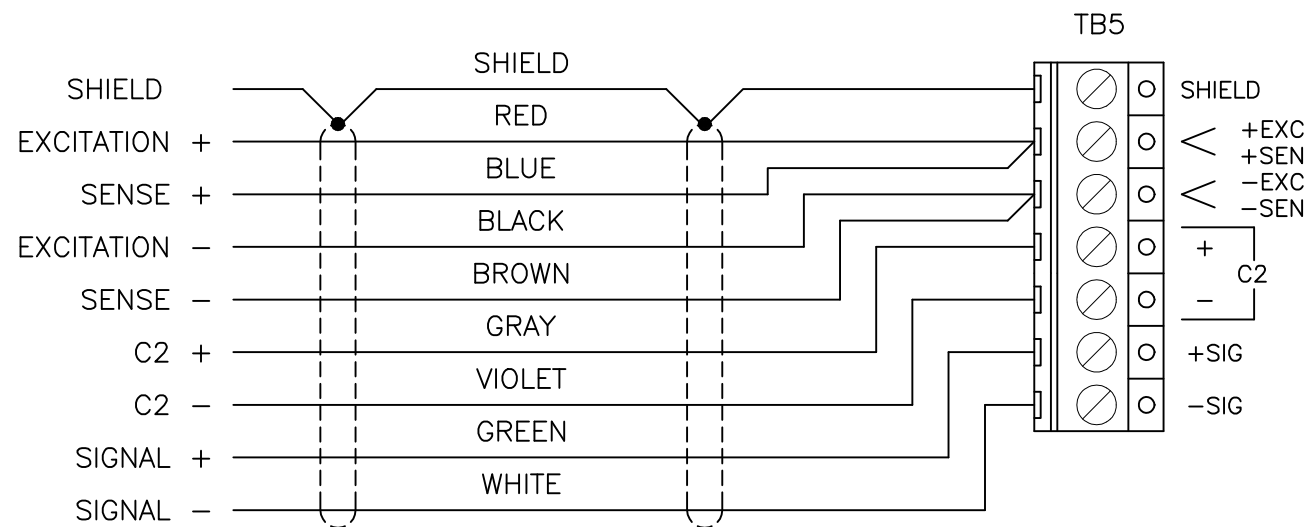
HARDY INSTRUMENTS			
TITLE OUTLINE DRAWING, ANY-WEIGH FLOOR SCALES			
SIZE D	FSCM 21316	DRAWING NO. 0588-0098	REV. A
FILE NAME: 588098A1.DWG		SCALE: NONE	SHEET 3 OF 4



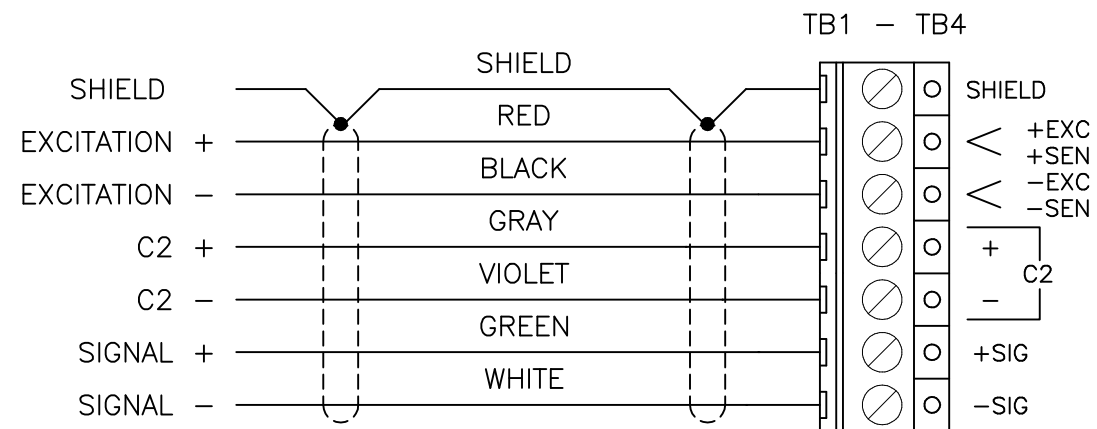
MINI SUMMING CARD 5



SCALE CABLE WIRING



LOAD CELL CABLE WIRING



HARDY INSTRUMENTS			
TITLE OUTLINE DRAWING, ANY-WEIGH FLOOR SCALES			
SIZE	FSCM	DRAWING NO.	REV.
D	21316	0588-0098	A
FILE NAME: 588098A1.DWG		SCALE: NONE	SHEET 4 OF 4