

ADVANTAGE LINE - Low Profile



HI HPLP Low Profile Load Points



- Stainless steel construction with electro-polished finish or alloy steel with (1.0443) plating
- Environmental Protection IP68/IP69K
- Complete laser welded hermetic sealing
- Low profile design with integrated lift off protection
- Calibration in mV/V
- Stainless mount features RA Rating of 0.5um nominal

The Hardy HI HPLP ADVANTAGE® Series are low profile load point systems designed to support loads where a traditional load cell won't fit. They are designed with electro-polished surfaces, and stainless steel or alloy steel construction making them low-maintenance in less than ideal environments.

The load point provides users with a uniform, compact and economical solution across a wide range of load cell capacities - from 500 kg (1100 lbs.) through to 30,000 kg (66,000 lbs.). Each load point consists of mounting hardware and a mV/V and mV/V/ohm matched load sensor with true hermetic sealing, C2® Electronic Calibration capabilities, on-board electronic certs and twenty feet of cable. Each load point assembly is specifically designed to eliminate the effects of unwanted side forces to provide exceptional accuracy and features IP68/IP69.

SPECIFICATIONS

Rated Output (ES)	2±0.1 mV/V
Non-Linearity	< ±0.25 % R.O.
Hysteresis	< ±0.25 % R.O.
Combined Error	< ±0.25 % R.O.
Zero Balance	< ±5.0 % R.O.
Creep @ 30 Min.	< ±0.06 % R.O.
Temp Effect Output	< ±0.04 % R.O./C
Temp Effect Sensitivity	< ±0.02 % R.O./C
Input Resistance	390 ± 20 ohm
Output Resistance	330 ± 25 ohm
Insulation Resistance	≥5000 Mohm
Excitation	5 - 15 vdc
Safe Load Limit	200 % Emax
Ultimate Load	300 % Emax
EN 60 529 Protection	IP68*/IP69
Operating Temperature	-20 to +65 °C
Stainless RA Rating	0.5um nominal
Approvals	IP68/IP69K
Warranty	Two years

* Up to 2m water depth

ORDERING INFORMATION

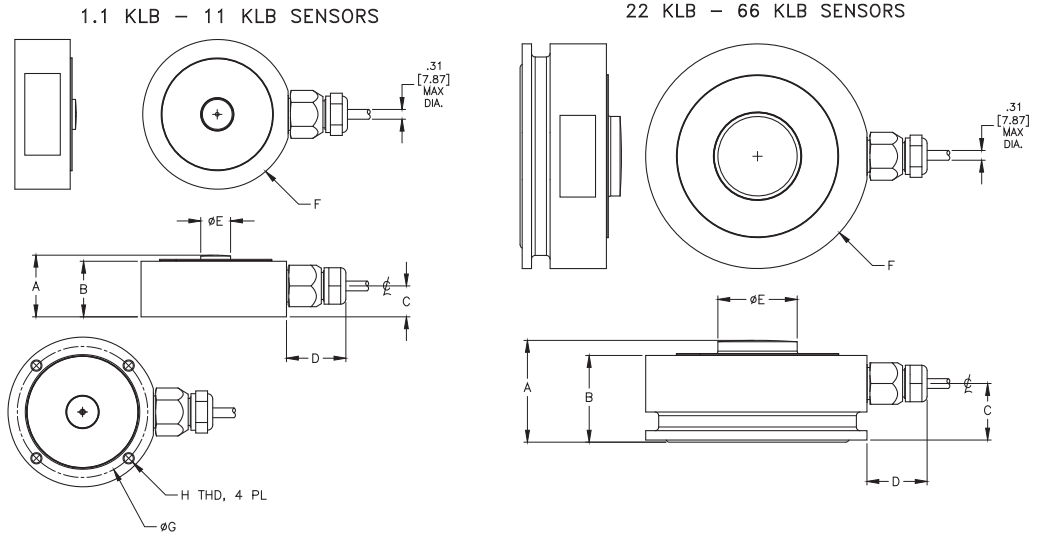
Load sensors are manufactured in Stainless Steel. Each load point consists of sensor and mount and is available with stainless steel (SS) or alloy steel (AS) mounting hardware.

Capacity	Model #		Load Point	
	lbs*	mt	Sensor Only	Load Point
1.1K	.5 mt	HIHP50-SS-1.1K	Stainless Steel Mount	Alloy Steel Mount
2.2K	1 mt	HIHP50-SS-2.2K	HIHPLP-SS-1.1K	HIHPLP-AS-1.1K
4.4K	2 mt	HIHP50-SS-4.4K	HIHPLP-SS-2.2K	HIHPLP-AS-2.2K
11K	5 mt	HIHP50-SS-11K	HIHPLP-SS-4.4K	HIHPLP-AS-4.4K
22K	10 mt	HIHP50-SS-22K	HIHPLP-SS-11K	HIHPLP-AS-11K
44K	20 mt	HIHP50-SS-44K	HIHPLP-SS-22K	HIHPLP-AS-22K
66K	30 mt	HIHP50-SS-66K	HIHPLP-SS-44K	HIHPLP-AS-44K
			HIHPLP-SS-66K	HIHPLP-AS-66K

* lbs estimated from mt conversion

ADVANTAGE Low Profile Load Sensor

HI HP50 Load Sensors



C2 WIRE COLOR CODE FLAG LABEL IS FOUND APPROX. 10 IN. FROM END OF SENSOR'S CABLE

EXCITATION +	RED
EXCITATION -	BLACK
SIGNAL +	GREEN
SIGNAL -	WHITE
C2+	GRAY
C2 -	VIOLET
SHIELD	YELLOW

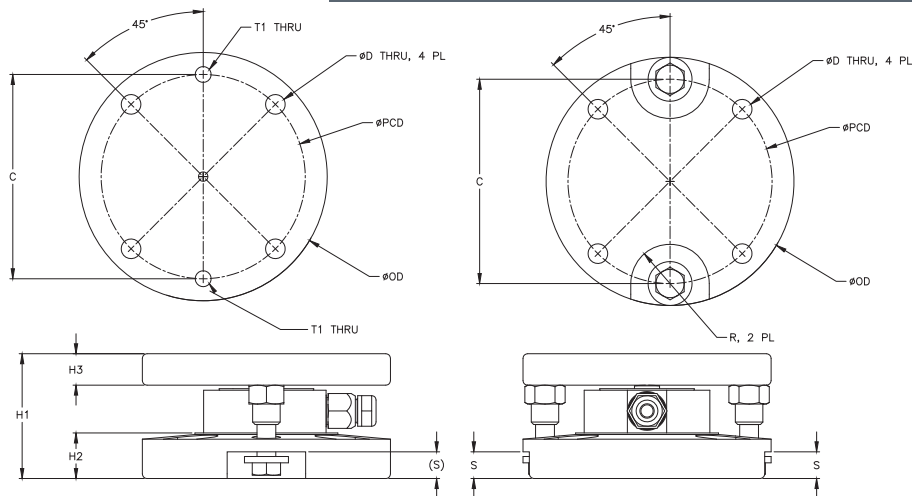
MODEL NUMBER	CAPACITY LBS [MT]	A	B	C	D	ØE	ØF	ØG	H THD	WEIGHT	CABLE LENGTH FT [M]
HI HP50-SS-1.1K	1.1 KLB [0.5MT]	1.299 [33]	1.181 [30]	.649 [16.5]	1.201 [30.5]	.630 [16]	3.150 [80]	2.756 [70]	M6 X 8MM DEEP	1.76 LB [0.8KG]	20FT [6.1M]
HI HP50-SS-2.2K	2.2 KLB [1MT]	1.299 [33]	1.181 [30]	.649 [16.5]	1.201 [30.5]	.630 [16]	3.150 [80]	NA	NA	1.76 LB [0.8KG]	20FT [6.1M]
HI HP50-SS-4.4K	4.4 KLB [2MT]	1.299 [33]	1.181 [30]	.649 [16.5]	1.201 [30.5]	.630 [16]	3.150 [80]	NA	NA	1.76 LB [0.8KG]	20FT [6.1M]
HI HP50-SS-11K	11 KLB [5MT]	1.299 [33]	1.181 [30]	.649 [16.5]	1.201 [30.5]	.630 [16]	3.150 [80]	NA	NA	1.76 LB [0.8KG]	20FT [6.1M]
HI HP50-SS-22K	22 KLB [10MT]	1.614 [41]	1.398 [35.5]	.906 [23]	1.201 [30.5]	1.142 [29]	3.740 [95]	NA	NA	2.87 LB [1.3KG]	20FT [6.1M]
HI HP50-SS-44K	44 KLB [20MT]	2.126 [54]	1.831 [46.5]	1.240 [31.5]	1.201 [30.5]	1.673 [42.5]	4.724 [120]	NA	NA	6.61 LB [3KG]	30FT [9.1M]
HI HP50-SS-66K	66 KLB [30MT]	2.126 [54]	1.831 [46.5]	1.240 [31.5]	1.201 [30.5]	1.673 [42.5]	4.724 [120]	NA	NA	6.61 LB [3KG]	30FT [9.1M]

TOLERANCES: ±0.015 [0.4] UNLESS OTHERWISE STATED

WARNING: NEVER cut load sensor cable

CABLE LENGTH: 20 FEET

ADVANTAGE Low Profile Load Point Outline



DIMENSIONS- IN [MM]		TOLERANCES: ±0.015 [0.4] UNLESS OTHERWISE STATED									
CAPACITY LBS [MT]	ØPCD	ØOD	C	ØD	R	H1	H2	H3	S	T1 THD	
1.1 KLB [0.5MT]	5.12 [130]	6.22 [158]	5.12 [130]	.49 [12.5]	.98 [25]	3.13 [79.5]	1.14 [29]	.79 [20]	.67 [17]	M12	
2.2 KLB [1MT]	5.12 [130]	6.22 [158]	5.12 [130]	.49 [12.5]	.98 [25]	3.13 [79.5]	1.14 [29]	.79 [20]	.67 [17]	M12	
4.4 KLB [2MT]	5.12 [130]	6.22 [158]	5.12 [130]	.49 [12.5]	.98 [25]	3.13 [79.5]	1.14 [29]	.79 [20]	.67 [17]	M12	
11 KLB [5MT]	5.12 [130]	6.22 [158]	5.12 [130]	.49 [12.5]	.98 [25]	3.13 [79.5]	1.14 [29]	.79 [20]	.67 [17]	M12	
22 KLB [10MT]	5.75 [146]	7.40 [188]	5.75 [146]	.49 [12.5]	1.08 [27.5]	4.08 [103.5]	1.46 [37]	1.18 [30]	.79 [20]	M16	
44 KLB [20MT]	7.28 [185]	8.98 [228]	7.28 [185]	.65 [16.5]	1.38 [35]	4.88 [124]	1.65 [42]	1.28 [32.5]	.79 [20]	M16	
66 KLB [30MT]	7.28 [185]	8.98 [228]	7.28 [185]	.65 [16.5]	1.38 [35]	4.88 [124]	1.65 [42]	1.28 [32.5]	.79 [20]	M16	

HI HPLP Load Points