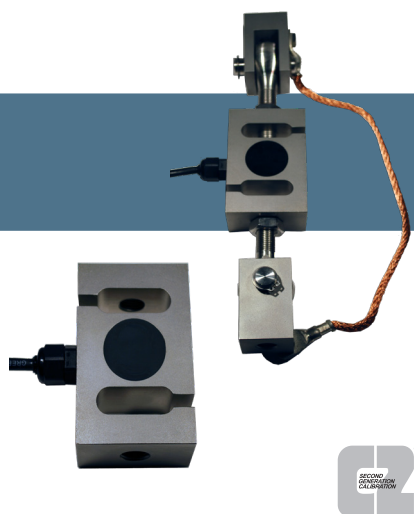


ADVANTAGE[®] LITE 'S' TENSION LOAD CELL



HI STLB Load Sensor and HI LPTLB Load Point 'S' Beam Type Tension Load Cell

The Hardy Process Solutions HI STLB Advantage[®] Lite 'S' Type stainless steel sensor is designed for hanging vessels, hoppers, filling machinery and process control. These stainless steel 17-4PH sensors feature IP67 ratings, and allow for tension and compression loading. Improved potting makes it suitable for use in industrial environments. It features the same accuracy and performance as their Advantage counterpart, but without hermetic sealing. Sensors come with Hardy C2[®] electronic datasheets to support weightless calibration capabilities when coupled with a Hardy weighing instrument. They are available in a wide range of capacities from 100 kg to 5000 kg (220 lbs to 11Klb).

The HI STLB sensor can be used standalone using a threaded rod or with a clevis mount. The HI LPTLB load point is available in capacities from 220lb (100kg) to 11Klb (5000kg). The sensor is environmentally protected with a plastic covering to IP67. The load point provides a robust, accurate solution for general tension mounted industrial weighing applications. A grounding strap and fixed color code wiring label are provided with each load point. The mounting hardware is available in either stainless or galvanized steel.

SPECIFICATIONS	HI STLB
Rated Output (ES)	2 + 0.1% mV/V
Max # Verification Int.	3000
Min Verification Int.	Emax/12000
Non-Linearity	< ±0.0166 % R.O.
Hysteresis	< ±0.0166 % R.O.
Zero Balance	< ±5.0 % R.O.
Combined Error	< ±0.02 % R.O.
Creep @ 30 Min.	< ±0.0166 % R.O.
Temp Effect Output	±0.0116% RO/10°C
Temp Effect Sensitivity	±0.010 % RO/10°C
Input Resistance	1100 ± 50 ohm
Output Resistance	1000 ± 2 ohm
Insulation Resistance	≥ 5000 Mohm
Excitation	5 - 15 vdc
Safe Load Limit	200 % Emax
Ultimate Load	300 % Emax
Sensor Material	Stainless Steel 17-4PH
Sealing	Potted
Approvals	CE, IP67
Warranty	Two years

ORDERING INFORMATION

Shipping Weight 4lbs to 15lbs for Sensors; 6lbs to 20 lbs for mounts. For load points, order 45 for Galvanized Steel, 43 for Stainless Steel * 11Klb mount is available in Galvanized Steel Only

Capacity		Load Point Model #	Sensor Model#
lbs*	kg	Load Sensor	
220	100	HILPTLB-220LB-4_C	HISTLB-220LB
440	200	HILPTLB-440LB-4_C	HISTLB-440LB
1100	500	HILPTLB-1.1KLB-4_C	HISTLB-1.1KLB
2200	1000	HILPTLB-2.2KLB-4_C	HISTLB-2.2KLB
4400	2000	HILPTLB-4.4KLB-4_C	HISTLB-4.4KLB
6600	3000	HILPTLB-6.6KLB-4_C	HISTLB-6.6KLB
11000	5000	HILPTLB-11KLB-45C	HISTLB-11KLB

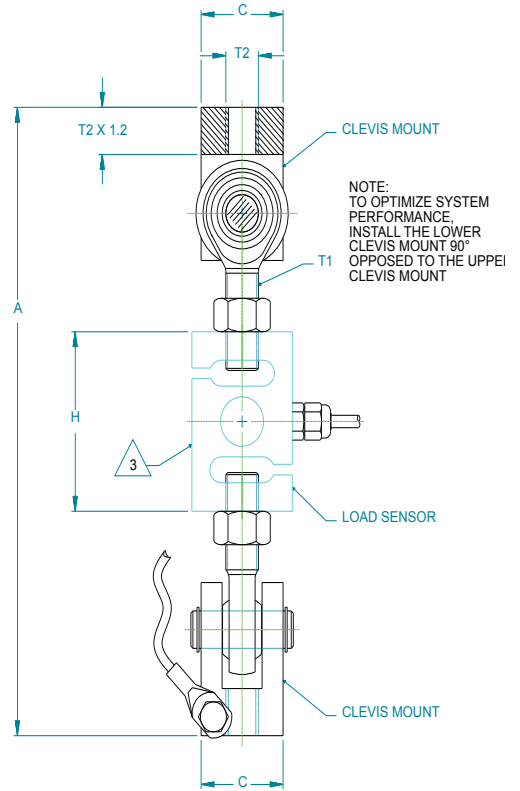
* Lbs calculated from kg conversion.

HI STS Mount

DIMENSIONS- INCHES & [mm]

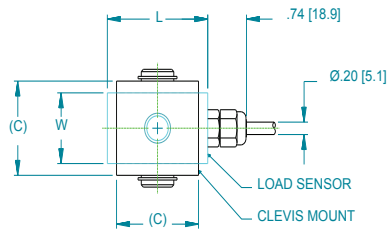
TOLERANCES: ±0.015 [0.38] UNLESS OTHERWISE STATED

CAPACITY LBS [KG]	A	C	H	L	W	T1	T2	MAXIMUM SAFE STATIC LOAD FORCE-LB [KN]
220 LB [100KG]	9.25 [235.0]	1.18 [30.0]	3.00 [76.2]	1.93 [49.0]	1.18 [30.0]	.500-20 UNC-2B	.500-13 UNC-2B	449.62 LB [2KN]
440 LB [200KG]	9.25 [235.0]	1.18 [30.0]	3.00 [76.2]	1.93 [49.0]	1.18 [30.0]	.500-20 UNC-2B	.500-13 UNC-2B	899.24 LB [4KN]
1.1 KLB [500KG]	9.25 [235.0]	1.18 [30.0]	3.00 [76.2]	1.93 [49.0]	1.18 [30.0]	.500-20 UNC-2B	.500-13 UNC-2B	2.25 KLB [10KN]
2.2 KLB [1000KG]	9.25 [235.0]	1.18 [30.0]	3.00 [76.2]	1.93 [49.0]	1.18 [30.0]	.500-20 UNC-2B	.500-13 UNC-2B	3.37 KLB [15KN]
4.4 KLB [2000KG]	10.50 [266.7]	1.57 [40.0]	3.39 [86.1]	3.00 [76.2]	1.18 [30.0]	.625-18 UNC-2B	.625-11 UNC-2B	6.74 KLB [30KN]
6.6 KLB [3000KG]	12.00 [304.8]	1.97 [50.0]	3.49 [88.7]	3.49 [88.7]	1.57 [40.0]	.750-16 UNC-2B	.750-10 UNC-2B	10.12 KLB [45KN]
11 KLB [5000KG]	17.00 [431.8]	2.36 [60.0]	5.75 [146.1]	3.59 [91.2]	2.22 [56.4]	1.000-12 UNC-2B	1.000-8 UNC-2B	16.86 KLB [75KN]



C2 WIRE COLOR CODE FLAG LABEL IS FOUND APPROX. 10 IN. FROM END OF SENSOR'S CABLE

EXCITATION +	RED
EXCITATION -	BLACK
SIGNAL +	GREEN
SIGNAL -	WHITE
C2+	GRAY
C2 -	VIOLET
SHIELD	YELLOW



WARNING: NEVER cut load sensor cable

CABLE LENGTH 20 FEET

HI STLB Load Sensor

CAPACITY	H1	H2	W	L	-M	-U	-H
100 kg	3.00	1.50	1.18	1.93	M12x1.75	1/2-20	N/A
200 kg	3.00	1.50	1.18	1.93	M12x1.75	1/2-20	N/A
500 kg	3.00	1.50	1.18	1.93	M12x1.75	1/2-20	N/A
1000 kg	3.00	1.50	1.18	1.93	M16x2.0	1/2-20	5/8-18
2000 kg	3.39	1.69	1.18	3.00	M16x2.0	5/8-18	N/A
3000 kg	3.492	1.746	1.567	3.492	M20x1.5	3/4-16	N/A
5000 kg	5.75	2.88	2.22	3.59	M24x2.0	1-12	N/A

