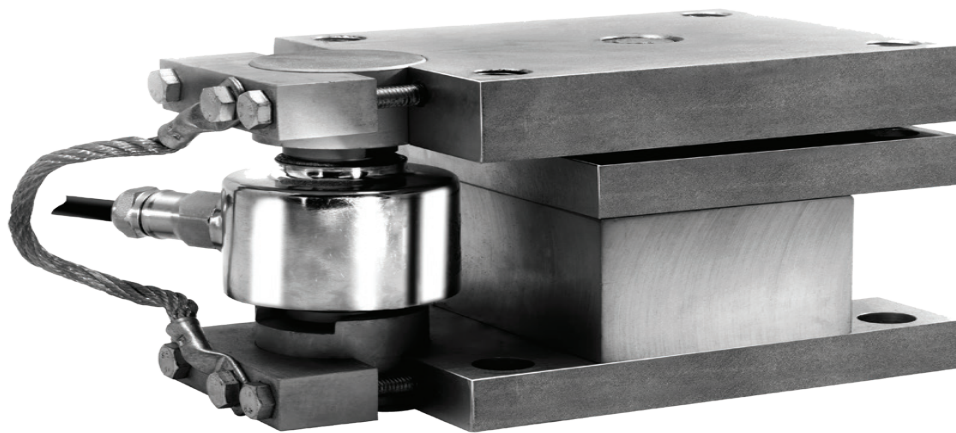


HI LPRC03 Advantage® Hermetic Rocker Load Points

HI LPRC03 Load Points with HI RCH03 and HI RCH04 Sensors



HI LPRC03 ADVANTAGE® low profile, rocker load point systems are specially designed for high capacity applications including silo, tank and large hopper weighing. The rocker design offers the lowest total cost of ownership through high performance, ease of installation and safety. Key factors that contribute to lower cost of ownership include:

Accuracy

- Self-centering rocker design maintains alignment under shear forces
- Precision sensor (combined error 0.02%-0.05% rated output) up to 660Klbs

Safety

- Best in class liftoff, side force and ultimate failure protection for people and equipment
- True glass-to-metal hermetic sealing delivers the ultimate protection to sensors during washdown (IP68/IP69K)
- C2 cloud-based calibration reduces the risk of accidents or contamination from test weights
- Anti-Rotation cups are designed to protect sensor cables

Easy Installation

- Integral spacers mean no dummy load cells or welding fixtures are required. Mounts are installed without load cells, allowing welding to be performed directly on the mount itself
- C2 cloud-based calibration for fast startup in high capacity installations
- 360° checking mechanism means load points can be installed in any direction

Easy Maintenance

- Replace load cells with minimal tank jacking. Removable load cups enable sensors to slide in and out
- Matched mV/V/ohm load cells are easy to replace without recalibration

Key Features

- Mounts are available in stainless or alloy steel to deliver the best combination of price and performance
- FM Certified load cell for intrinsically safe applications

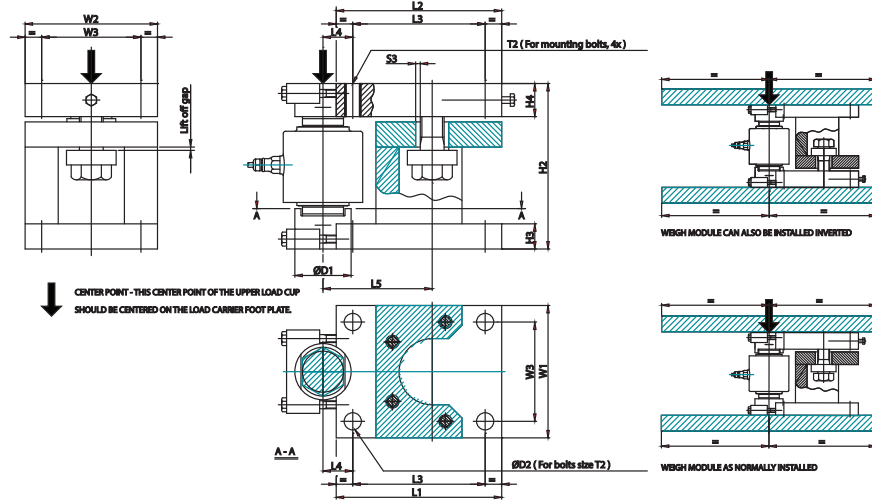
All information and drawings on these pages are subject to change without notice. Consult website for latest specifications.

SPECIFICATIONS	Units	HI RCH04 (16.5 to 50 Klbs)/HI RCH03	HI RCH03
Maximum Capacity (E _{max})	klbs	16.5 / 33 / 50 / 66 / 88 / 110	220 / 330 / 660
Max number verification intervals	n _{max}	3000	N/A
Min load cell verification interval	v _{min}	E _{max} / 15000	N/A
Combined Error	%RO	± 0.0200	± 0.0500
Non-Linearity	%RO	± 0.0166	± 0.0400
Hysteresis	%RO	± 0.0166	± 0.0400
Creep error (30 Minutes) / DR	%RO	± 0.0166	± 0.0600
Temperature effect on min dead load output	%RO/10°C	± 0.0093	± 0.0400
Temperature effect on sensitivity	%RO/10°C	± 0.0100	± 0.0200
Non-Repeatability	%RO	Not Specified	Not Specified
Rated Output (RO)	mV/V	2 ± 0.1%	2 ± 0.1%
Calibration in mV/V/Ω		Matched	Matched
Zero Balance	%RO	± 5	± 5
Excitation Voltage	V	5-15	5-15
Input Resistance	Ω	1150 ± 50	1150 ± 50
Output Resistance	Ω	1100 ± 2	1100 ± 2
Insulation resistance (100VDC)	MΩ	≥ 5000	≥ 5000
Load Cell Safe Load Limit	%E _{max}	200	200
Load Cell Ultimate Load Limit	%E _{max}	300	300
Load Cell Safe Side Load	%E _{max}	N/A	N/A
Compensated Temperature Range	°C	-10 ... +40	-10 ... +40
Operating Temperature Range	°C	-40 ... +80	-40 ... +80
Load Cell Material		Stainless Steel 17-4PH (1.4548)	Stainless Steel 17-4PH (1.4548)
Sealing		Complete Hermetic Sealing - Glass to Metal Header	Complete Hermetic Sealing - Glass to Metal Header
Protection according to EN 60 529		IP68 (up to 2 m water depth)/IP69k	IP68 (up to 2 m water depth)/IP69k
Cable Length	ft	30 ft	50 ft
Hazardous Certification		IS Class 1,2,3 Div 1, NI Class 1,2,3 Div 2	IS Class 1,2,3 Div 1, NI Class 1,2,3 Div 2
Legal For Trade		N/A	NTEP

HI LPRC03 Mount Specifications

SPECIFICATIONS	UNITS	CAPACITY IN Klbs				
		16.5Klb - 50Klb	66Klb - 88Klb	110Klb - 220Klb	330 Klb	660Klb
Capacity	Klb	16.5Klb - 50Klb	66Klb - 88Klb	110Klb - 220Klb	330 Klb	660Klb
Rated Liftoff Force	lb	22000	39600	66000	88000	132000
Rated Overload	lb					
Rated Side Force	lb	11000	19800	33000	44000	66000
Yield Liftoff Force	lb					
Yield Overload	lb					
Yield Side Force	lb					
Weight Excluding Sensor	lb	33	73	143	250	495
Available Materials	Metallurgy	Stainless Steel / Zinc Plated Steel	Stainless Steel / Zinc Plated Steel	Stainless Steel / Painted Steel	Painted Steel	Painted Steel
Levelling Required		0.4/100 (legal for trade), 0.8/100 (general applications)				

HI LPRCH03 ADVANTAGE® Load Point



HI LPRC03 Series 16.5K Lbs - 50Klbs

C2 WIRE COLOR CODE FLAG LABEL IS FOUND APPROX. 10 IN. FROM END OF SENSOR'S CABLE

EXCITATION +	RED
EXCITATION -	BLACK
SIGNAL +	GREEN
SIGNAL -	WHITE
C2+	GRAY
C2 -	VIOLET
SHIELD	YELLOW

WARNING: NEVER cut load sensor cable

CABLE LENGTH: 30 FEET OF CABLE FOR 110K AND LESS, AND 50 FEET OF CABLE FOR 220K AND ABOVE

CAPACITY LBS [T]	MODEL NUMBER STAINLESS STEEL	PLATED STEEL	MODEL NUMBER	LOAD SENSOR CABLE LENGTH	MAXIMUM LIFT-OFF FORCE KLB [KN] *	MAXIMUM SIDE FORCE KLB [KN] *	WEIGHT - EXCLUDING LOAD SENSOR
16.5KLB [7.5T]	HI LPRC03-16.5K-43C	HI LPRC03-16.5K-45C	HI RCHC04-16.5K	30FT [9.1M]	22.5 [100]	11.2 [50]	33LB [15KG]
33KLB [15T]	HI LPRC03-33K-43C	HI LPRC03-33K-45C	HI RCHC04-33K				
50KLB [22.5T]	HI LPRC03-50K-43C	HI LPRC03-50K-45C	HI RCHC04-50K				

DIMENSIONS IN [MM]													BOLT THREAD	
D1	D2	H2	H3	H4	L1	L2	L3	L4	L5	S3	W1	W2	W3	T2
1.96 [50]	.69 [17.5]	5.12 [130]	.79 [20]	1.18 [30]	6.54 [166]	6.30 [160]	5.12 [130]	.98 [25]	3.94 [100]	.20 [5]	5.12 [130]	5.12 [130]	3.94 [100]	M16

HI RCH03 ADVANTAGE® Load Sensor

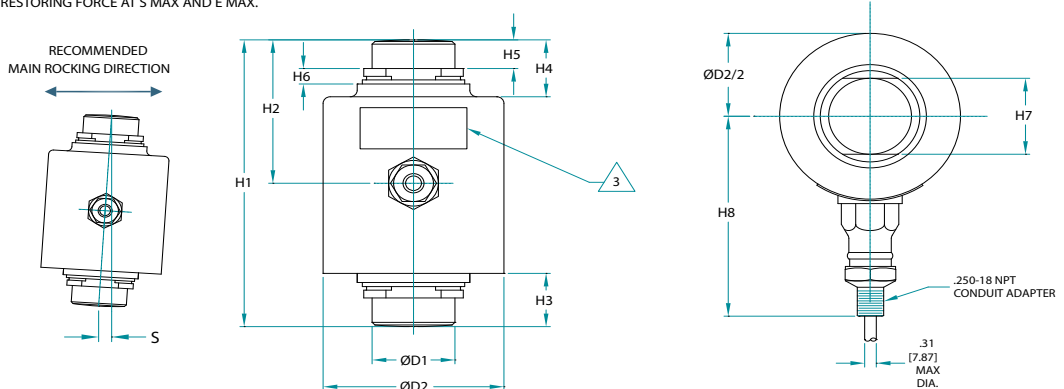
DIMENSIONS- INCHES [MM]

TOLERANCES: ±0.015 [0.4] UNLESS OTHERWISE STATED

MODEL NUMBER	CAPACITY LBS [T]	H1	H2	H3	H4	H5	H6	H7	H8	ØD1	ØD2	S MAX*	RF **	CABLE LENGTH FT [M]
HI RCH03-66K	66KLB [30T]	5.512 [140]	2.756 [70]	1.024 [26]	1.102 [28]	.512 [13]	.256 [6.5]	1.535 [39]	3.307 [84]	1.535 [39]	3.189 [81]	.413 [10.5]	7,644 LBS [34KN]	30FT [9.1M]
HI RCH03-88K	88KLB [40T]	5.906 [150]	2.953 [75]	1.220 [31]	1.299 [33]	.512 [13]	.461 [11.7]	1.535 [39]	3.307 [84]	1.535 [39]	3.189 [81]	.394 [10]	8,318 LBS [37KN]	30FT [9.1M]
HI RCH03-110K	110KLB [50T]	7.008 [178]	3.504 [89]	1.260 [32]	1.339 [34]	.669 [17]	.335 [8.5]	1.732 [44]	3.701 [94]	1.732 [44]	3.898 [99]	.354 [9]	11,465 LBS [51KN]	30FT [9.1M]
HI RCH03-220K	220KLB [100T]	7.008 [178]	3.504 [89]	1.516 [38.5]	1.516 [38.5]	.669 [17]	.472 [12]	2.441 [62]	3.693 [93.8]	2.441 [62]	4.740 [120.4]	.453 [11.5]	34,171 LBS [152KN]	50FT [15.2M]
HI RCH03-330K	330KLB [150T]	8.268 [210]	4.134 [105]	1.681 [42.7]	1.681 [42.7]	.811 [20.6]	.504 [12.8]	3.000 [76.2]	4.783 [121.5]	3.000 [76.2]	6.500 [165.1]	.571 [14.5]	53,954 LBS [240KN]	50FT [15.2M]
HI RCH03-660K	660KLB [300T]	11.024 [280]	5.512 [140]	2.201 [55.9]	2.201 [55.9]	.984 [25]	.846 [21.5]	3.937 [100]	4.783 [121.5]	3.937 [100]	6.500 [165.1]	.591 [15]	105,211 LBS [468KN]	50FT [15.2M]

(*) S MAX = MAXIMUM LATERAL DISPLACEMENT OF LOAD INTRODUCTION. RECOMMENDED GAP 0.118 TO 0.197 [3.0 TO 5.0].
(**) RF = RESTORING FORCE AT S MAX AND E MAX.

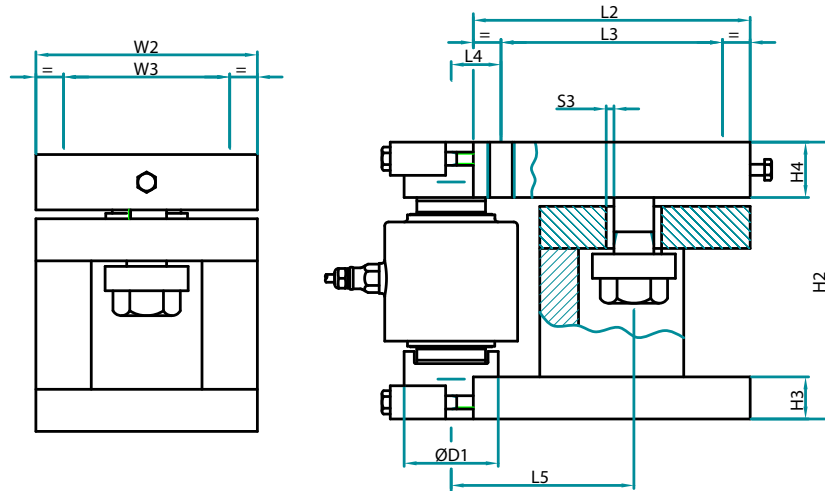
HI RCH03 Series Other Sensor Drawings Available on Website



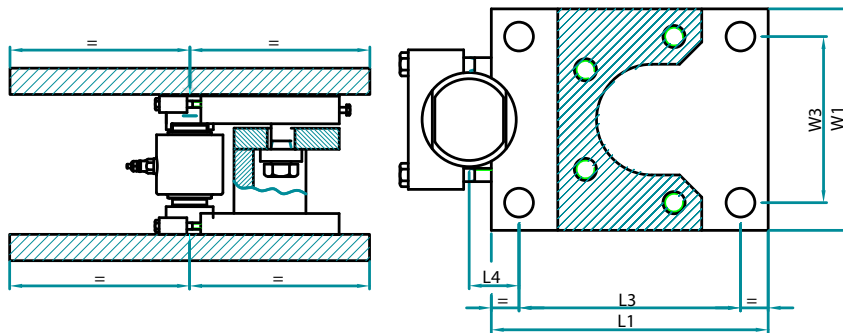
HI LPRC03 Series ADVANTAGE® Load Point



HI LPRC03 Series 66K Lbs - 660K lbs



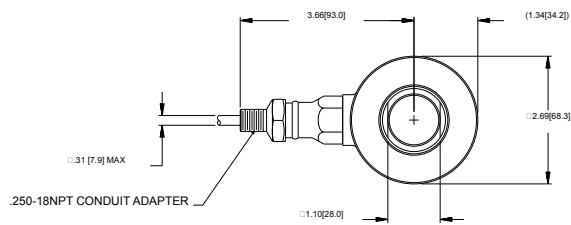
THE WEIGH MODULE NORMALLY INSTALLED



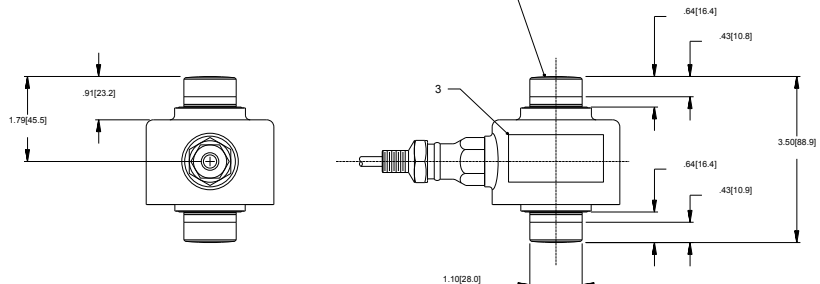
Load cell type/capacity	D1	D2	H2	H3	H4	L1	L2	L3	L4	L5	W1	W2	W3	S3	T2	Max lift off force Klbs	Max side force Klbs	Weight excl. load cell Lbs
HIRCH03-66K & 88K	60	22	200	29	40	210	210	170	30	125	150	150	110	6	M20	40.4	20.2	73
HIRCH03-110K & 220K	85	26	250	34	50	260	250	200	45	165	210	200	150	7	M24	67.4	33.7	144
HIRCH03-330K	110	33	300	40	60	300	290	230	60	205	260	250	190	8	M30	89.9	44.9	250
HIRCH03-660K	135	39	400	60	70	370	350	280	65	235	320	300	230	10	M36	179.8	67.4	497

HI RCH04 Series ADVANTAGE® Load Sensor

HI RCH04 Series 16.5Klbs - 50Klbs



R5.5 [R140] - 16.5K [7.5T]
R5.5 [R140] - 33K [15T]
R7.1 [R180] - 50K [22.5T]



HI LPRC03 Ordering Information

Capacity		Model #	Part#	Part #	Part #
lbs	mt	Load Point Assy	Load Sensor	Mount Stainless Steel	Mount Zinc or Painted Steel
16.5K	7.5	HI LPRC03-16.5K-4_C	HIRCH04-16.5K	5501-0194-01	5501-0194-11 (Zinc)
33K	15	HI LPRC03-33K-4_C	HIRCH04-33K	5501-0194-01	5501-0194-11 (Zinc)
50K	23	HI LPRC03-50K-4_C	HIRCH04-50K	5501-0194-01	5501-0194-11 (Zinc)
66K	30	HI LPRC03-66K-4_C	HIRCH03-66K	5501-0240-01	5501-0240-11 (Zinc)
88K	40	HI LPRC03-88K-4_C	HIRCH03-88K	5501-0240-02	5501-0240-12 (Zinc)
110K	50	HI LPRC03-110K-4_C	HIRCH03-110K	5501-0240-03	5501-0240-23 (Painted)
220K	100	HI LPRC03-220K-4_C	HIRCH03-220K	5501-0240-04	5501-0240-24 (Painted)
330K	150	HI LPRC03-330K-41C	HIRCH03-330K	N/A	5501-0240-25 (Painted)
660K	300	HI LPRC03-660K-41C	HIRCH03-660K	N/A	5501-0240-26 (Painted)

In Model Number use 43C for Stainless Mounts, 45C for Zinc Plated Mounts and 41C for Painted Mounts.

Hardy Process Solutions

10075 Mesa Rim Rd.
 San Diego, CA 92121
 tel. +1-858-278-2900 or 800-821-5831
www.hardysolutions.com
hardyinfo@hardysolutions.com



All information within is subject to change without notice. Visit our website for the latest specifications. OneMount is a trademark of Hardy Process Solutions. WAVERSAVER, C2, IT, ADVANTAGE and ANY-WEIGH are registered trademarks of Hardy Process Solutions. Encompass is a registered trademark of Rockwell Automation, Inc. All other trademarks or registered trademarks are the property of their respective owners.