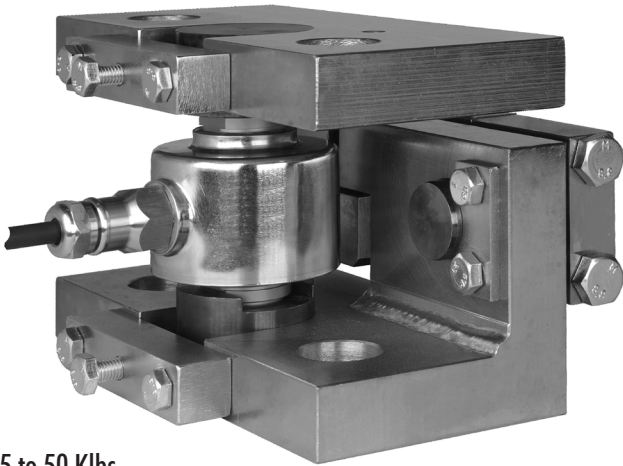
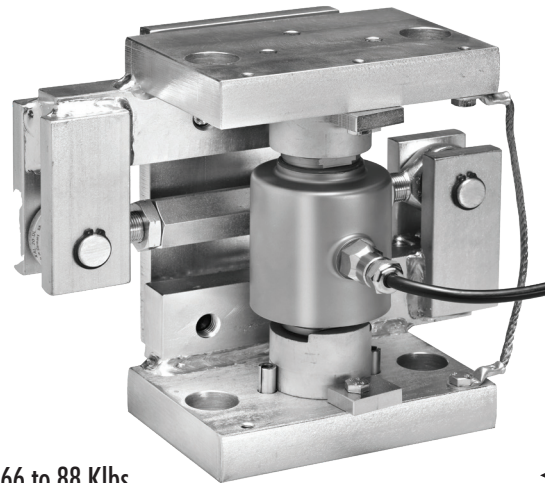


# HIRCDM Advantage® Dynamic Rocker Load Points

## HIRCDM Mounts with HIRCH04 Sensors



16.5 to 50 Klbs



66 to 88 Klbs



HIRCDM Dynamic Mounts are rocker load point systems specially designed for hopper and tank weighing. Easy to install by bolting or welding, they have a low profile, and provide lift off protection. Each rocker load point consists of either alloy or stainless steel mounting hardware and a stainless steel mV/V & mV/V/ohm matched load cell sensor with true hermetic sealing, Hardy's exclusive C2® calibration, a ¼ NPT conduit adapter and 30 feet of cable.

Each assembly provides built-in checking with check links, lift off protection and is specifically designed to eliminate the effects of unwanted forces to provide exceptional accuracy. A grounding strap, fixed color code wiring label and installation manual are provided with each load point. The HIRCH04 ADVANTAGE® load cell sensor has an IP rating of IP68/IP69K and comes in the following standard capacities: 16.5, 33, and 50Klbs. The HIRCH03 sensor is certified to NTEP Class III and is available in 66 and 88Klbs capacities.

### Accuracy

- Self-centering rocker design maintains alignment under shear forces
- Precision sensor (combined error 0.02%-0.05% rated output) up to 88Klbs

### Safety

- Integral checklinks provide safety against sheer forces even with substantial vibration
- True glass-to-metal hermetic sealing delivers the ultimate protection to sensors during washdown (IP68/IP69K)
- C2® calibration reduces the risk of accidents or contamination from test weights

### Easy Maintenance

- Replace load cells with minimal tank jacking. Removable load cups enable sensors to slide in and out
- Matched mV/V/ohm load cells are easy to replace without recalibration
- C2® calibration is quicker and easier than traditional load cell calibration

### Key Features

- Mounts are available in stainless or alloy steel to deliver the best combination of price and performance
- FM Certified load cell for intrinsically safe applications

All information and drawings on these pages are subject to change without notice. Consult website for latest specifications.

## HIRCH04/03 ADVANTAGE® Load Sensors

SPECIFICATIONS	Units	HI RCH04 (16.5 to 50 Klbs)/HI RCH03 (66 to 88Klbs)
Maximum Capacity (Emax)	klbs	16.5 / 33 / 50 / 66 / 88
Max number verification intervals	nmax	3000
Min load cell verification interval	vmin	Emax / 15000
Combined Error	%RO	± 0.0200
Non-Linearity	%RO	± 0.0166
Hysteresis	%RO	± 0.0166
Creep error (30 Minutes) / DR	%RO	± 0.0166
Temperature effect on min dead load output	%RO/10°C	± 0.0093
Temperature effect on sensitivity	%RO/10°C	± 0.0100
Non-Repeatability	%RO	Not Specified
Rated Output (RO)	mV/V	2 ± 0.1%
Calibration in mV/V/Ω		Matched
Zero Balance	%RO	± 5
Excitation Voltage	V	5-15
Input Resistance	Ω	1150 ± 50
Output Resistance	Ω	1100 ± 2
Insulation resistance (100VDC)	MΩ	≥ 5000
Load Cell Safe Load Limit	%Emax	200
Load Cell Ultimate Load Limit	%Emax	300
Load Cell Safe Side Load	%Emax	N/A
Compensated Temperature Range	°C	-10 ... ±40
Operating Temperature Range	°C	-40 ... ±80
Load Cell Material		Stainless Steel 17-4PH (1.4548)
Sealing		Complete Hermetic Sealing - Glass to Metal Header
Protection according to EN 60 529		IP68 (up to 2 m water depth)/IP69k
Cable Length	ft	30 ft
Hazardous Certification		IS Class 1,2,3 Div 1, NI Class 1,2,3 Div 2
Legal For Trade		NTEP (HIRCH03 only)
Warranty	Years	Two

## HIRCDM Mount and HIRCH04/03 Ordering Information

Capacity		Mount Model #	Model#
lbs	mt	FIXED Assy	Load Sensor
16.5K	7.5	HIRDCM-_S-16.5KLB-50KLB*	HIRCH04-16.5K
33K	15	HIRDCM-_S-16.5KLB-50KLB*	HIRCH04-33K
50K	23	HIRDCM-_S-16.5KLB-50KLB*	HIRCH04-50K
66K	30	HIRDCM-_S-66KLB*	HIRCH03-66K
88K	40	HIRDCM-_S-88KLB*	HIRCH03-88K

Mounts and Load Sensors Sold Separately

\* \_AS for Alloy Steel and SS for Stainless Steel

C2 WIRE COLOR CODE FLAG LABEL IS FOUND APPROX. 10 IN. FROM END OF SENSOR'S CABLE

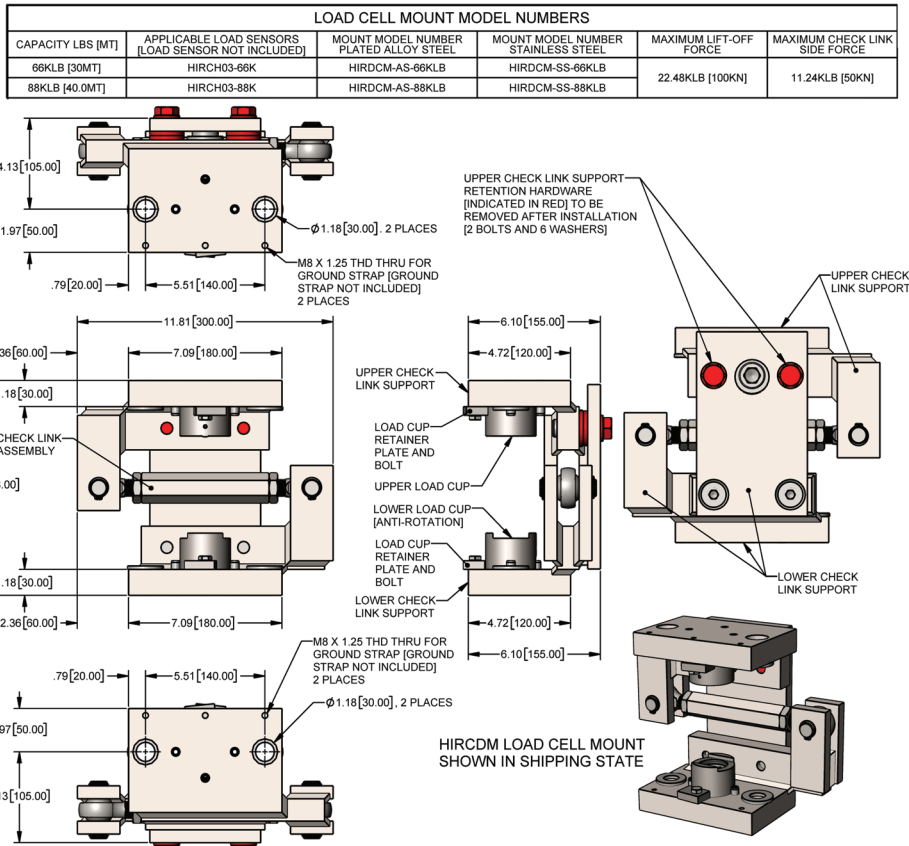
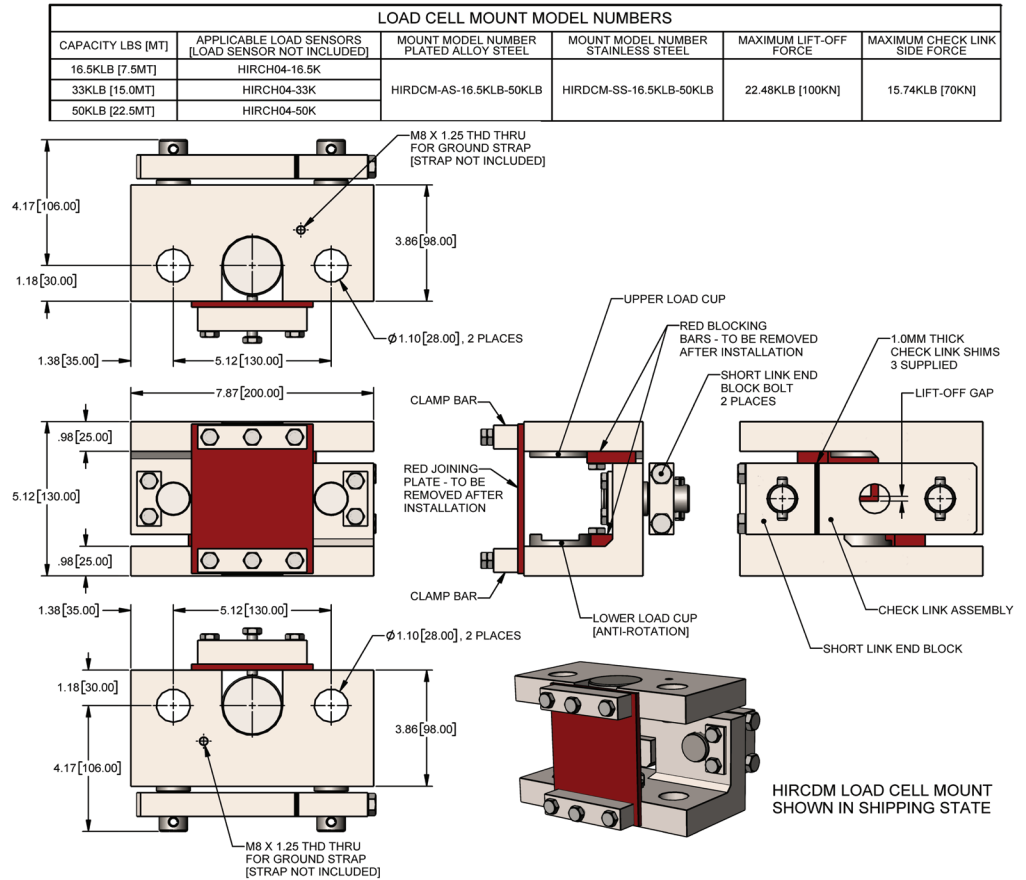
EXCITATION +	RED
EXCITATION -	BLACK
SIGNAL +	GREEN
SIGNAL -	WHITE
C2+	GRAY
C2 -	VIOLET
SHIELD	YELLOW

WARNING: NEVER cut load sensor cable

CABLE LENGTH: 30 FEET OF CABLE

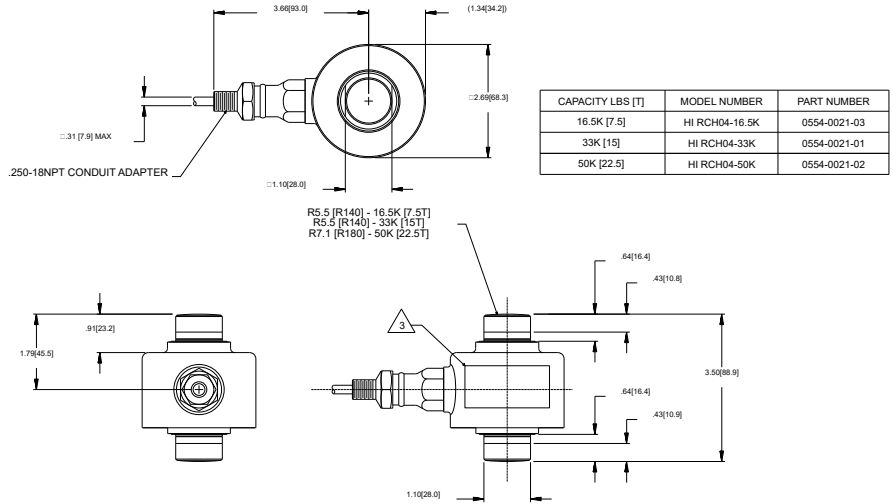
## HIRCDM Mounts

### HRCDM 16.5-50Klbs



### HRCDM 66-88Klbs

## HI RCH04 Series ADVANTAGE® Load Sensor



### HI RCH04 Series 16.5 - 50Klbs

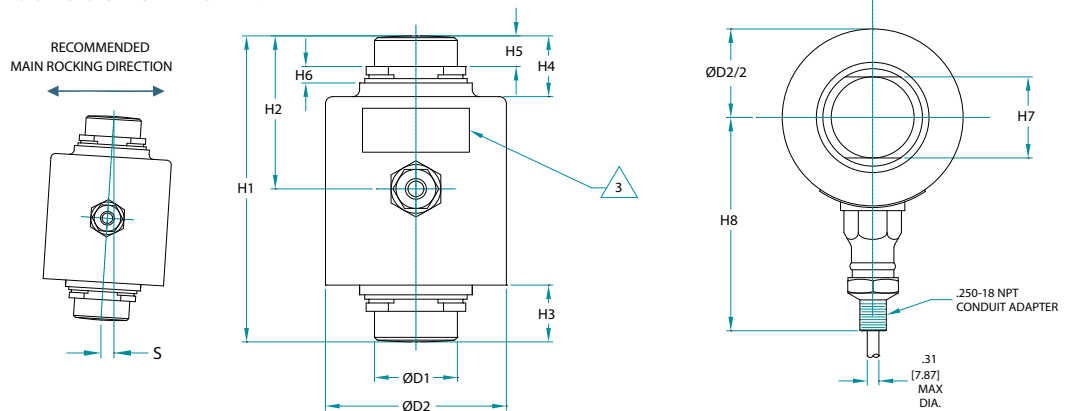
## HI RCH03 ADVANTAGE® Load Sensor

### DIMENSIONS- INCHES [MM]

TOLERANCES: ±0.015 [0.4] UNLESS OTHERWISE STATED

MODEL NUMBER	CAPACITY LBS [T]	H1	H2	H3	H4	H5	H6	H7	H8	ØD1	ØD2	S MAX*	RF **	CABLE LENGTH FT [M]
HI RCH03-66K	66KLB [30T]	5.512 [140]	2.756 [70]	1.024 [26]	1.102 [28]	.512 [13]	.256 [6.5]	1.535 [39]	3.307 [84]	1.535 [39]	3.189 [81]	.413 [10.5]	7,644 LBS [34KN]	30FT [9.1M]
HI RCH03-88K	88KLB [40T]	5.906 [150]	2.953 [75]	1.220 [31]	1.299 [33]	.512 [13]	.461 [11.7]	1.535 [39]	3.307 [84]	1.535 [39]	3.189 [81]	.394 [10]	8,318 LBS [37KN]	30FT [9.1M]

(\*) S MAX = MAXIMUM LATERAL DISPLACEMENT OF LOAD INTRODUCTION. RECOMMENDED GAP 0.118 TO 0.197 [3.0 TO 5.0].  
(\*\*) RF = RESTORING FORCE AT S MAX AND E MAX.



### HI RCH03 Series 66 - 88Klbs

### Hardy Process Solutions

10075 Mesa Rim Road  
San Diego, CA 92121  
tel. +1-858-278-2900  
800-821-5831

www.hardysolutions.com  
hardyinfo@hardysolutions.com

All information within is subject to change without notice. Visit our website for the latest specifications. OneMount is a trademark of Hardy Process Solutions. WAVERSAVER, C2, IT, ADVANTAGE, OneMount and ANY-WEIGH are registered trademarks of Hardy Process Solutions. Technology Partner is a registered trademark of Rockwell Automation, Inc. All other trademarks or registered trademarks are the property of their respective owners.

