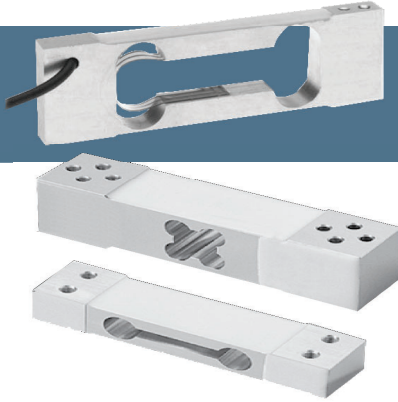


LOW CAPACITY ALUMINUM SINGLE POINT



HI SPAL03 and HI SPL Ultra Low-Capacity Single Point Aluminum Load Cells

The Hardy Process Solutions HI SPAL03 and HI SPL Series of aluminum ultra-low capacity, single point load cells are ideal for packaging machines, dosing/filling, belt scales/conveyor scales, in-motion checkweighers, and retail scales/counting scales for sensitive low-weight materials, such as pharmaceuticals and minor ingredients.

The HI SPAL03 comes in capacities of 300 grams to 5 kg (.667 lb to 11.02 lb) with an IP rating of IP66. It is great for use under platforms up to 200 mm x 200 mm (8 in x 8 in).

The HI SPL is available in capacities from 600 grams to 3 kg (1.6 lb to 6.6 lb) and also features a rating of IP66. It is ideal for use under platforms up to 400 mm x 400 mm (16 in x 16 in).

Both families feature improved potting.

SPECIFICATIONS	HI SPAL03 (.3/.5/1kg)	HI SPAL03 (2/3/4/5kg)	HI SPL (.6/1/2kg)	HI SPL (3kg)
Rated Output (ES)	1.0±0.1 mV/V	1.0±0.1 mV/V	2±10% mV/V	2±10% mV/V
Max # Verification Int.			1000	5000
Min Verification Int.			E _{max} /1400	E _{max} /8000
Hysteresis			< ±0.030 % R.O.	< ±0.025 % R.O.
Combined Error	±0.01 % R.O.	±0.0067 % R.O.		
Non-Linearity			< ±0.030 % R.O.	< ±0.025 % R.O.
Zero Balance	< ±5.0 % R.O.	< ±5.0 % R.O.	< ±3.0 % R.O.	< ±3.0 % R.O.
Creep @ 30 Min./DR			< ±0.030 % R.O.	< ±0.030 % R.O.
Temp Effect Output	±0.0004 % R.O./C	±0.0004 % R.O./C	±0.0026 % R.O./C	±0.0026 % R.O./C
Temp Effect Sensitivity	±0.0002 % load/°C	±0.0002 % load/°C	±0.0015 % load/°C	±0.0015 % load/°C
Input Resistance	415 ± 20 ohm	415 ± 20 ohm	410 ± 10 ohm	410 ± 10 ohm
Output Resistance	350 ± 3 ohm	350 ± 3 ohm	350 ± 3 ohm	350 ± 3 ohm
Insulation Resistance	>2000 Mohm	>2000 Mohm	>5000 Mohm	>5000 Mohm
Excitation Voltage	5 - 15 vdc	5 - 15 vdc	5 - 15 vdc	5 - 15 vdc
Safe Load Limit	150 % E _{max}	150% E _{max}	150 % E _{max}	150% E _{max}
Ultimate Load	250 % E _{max}	250% E _{max}	200 % E _{max}	200% E _{max}
Material	Aluminum	Aluminum	Aluminum	Aluminum
Sealing	Potted	Potted	Potted	Potted
Protection	IP66	IP66	IP66	IP66
Compensated Temp	+5 to 40 °C	+5 to 40 °C	-10 to 40 °C	-10 to 40 °C
Operating Temperature	-30 to 70 °C	-30 to 70 °C	-20 to 60 °C	-20 to 60 °C
Warranty	Two years	Two years	Two years	Two years

ORDERING INFORMATION

No mounting hardware. Shipping weight is approx. 1 lb for both HI SPAL03 and HI SPL sensors (EA).

Capacity		Model#
lbs*	kg	Load Sensor
0.66 lb	300 g	HISPAL03-0.3KG
1.10 lb	500 g	HISPAL03-0.5KG
2.20 lb	1 kg	HISPAL03-1KG
4.41 lb	2 kg	HISPAL03-2KG
6.61 lb	3 kg	HISPAL03-3KG
11.02 lb	5 kg	HISPAL03-5KG

Capacity		Model#
lbs*	kg	Load Sensor
1.3lb	600 g	HISPL-600G
2.2 lb	1 kg	HISPL-1KG
4.4 lb	2 kg	HISPL-2KG
6.6 lb	3 kg	HISPL-3KG

* lbs estimated based on kg conversion

Sensors do not come with C2 Electronic Calibration.

HI SPAL03 Single Point Aluminum

DIMENSIONS- INCHES & [mm]

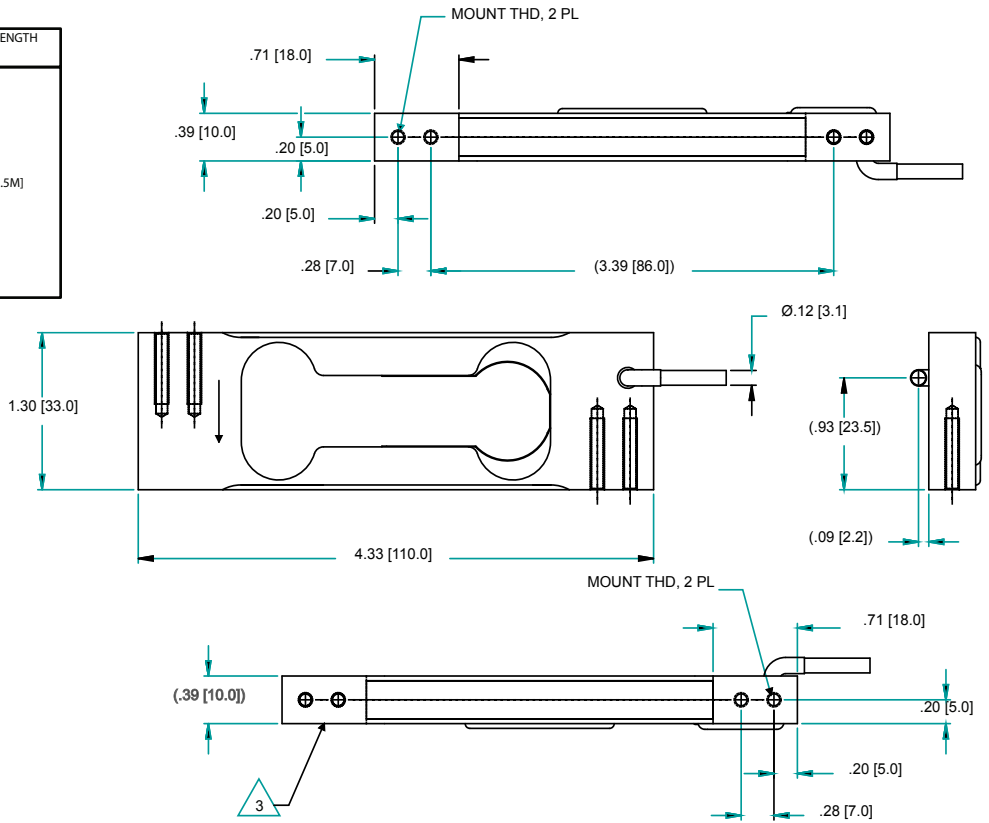
MODEL NUMBER	CAPACITY KG	MOUNT THD	CABLE LENGTH FT [M]
HI SPAL03-0.3KG	0.3KG	M3 X 0.5 9.0MM DEEP	1.6FT [0.5M]
HI SPAL03-0.5KG	0.5KG		
HI SPAL03-1KG	1KG		
HI SPAL03-2KG	2KG		
HI SPAL03-3KG	3KG		
HI SPAL03-5KG	5KG		

TOLERANCES: ±0.01 [0.3] UNLESS OTHERWISE STATED

WIRE COLOR CODE HISPAL03

EXCITATION +	GREEN
EXCITATION -	BLACK
SIGNAL +	WHITE
SIGNAL -	RED

WARNING: NEVER cut load sensor cable



HI SPL Single Point Aluminum

DIMENSIONS- INCHES & [mm]

MODEL NUMBER	CAPACITY KG	MOUNT THD	CABLE LENGTH FT [M]
HI SPL-600G	600G	M3 X 0.5	1.6FT [0.5M]
HI SPL-1KG	1KG		1.6FT [0.5M]
HI SPL-2KG	2KG		8.2FT [2.5M]
HI SPL-3KG	3KG		1.6FT [0.5M]

TOLERANCES: ±0.01 [0.3] UNLESS OTHERWISE STATED

WIRE COLOR CODE HISPL

EXCITATION +	RED
EXCITATION -	BLACK
SIGNAL +	GREEN
SIGNAL -	WHITE

WARNING: NEVER cut load sensor cable

